



## Series H8000

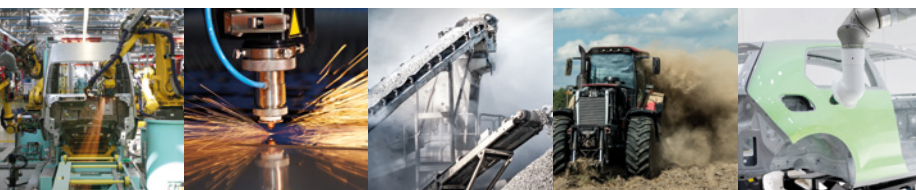
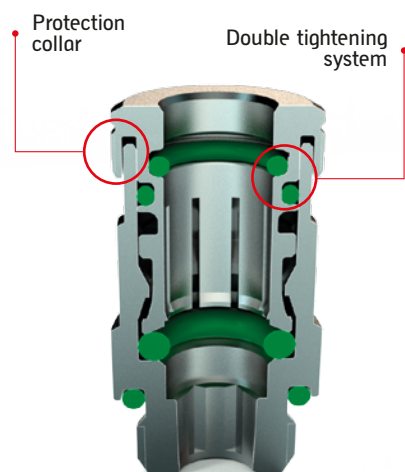
Fittings with double tightening for dirty and dusty environments

**Series H8000** fittings are designed to be used in particularly dirty and dusty working environments. The patented system with double tightening on the tube guarantees a highly reliable connection and avoids any risk of leakage. Furthermore, the special shape of the collar prevents the entry of impurities inside

the fitting, guaranteeing performance over time, retention of the tube and easy connection and release.

**Series H8000** fittings have a brass body, FKM seals for high temperatures (EPDM and NBR seals are also available) and can be used with pressures between -0.9 and 60 bar.

PROTECTION AGAINST  
DUST AND DEBRIS  
SILICONE FREE  
SUITABLE FOR VACUUM  
ALSO SUITABLE  
FOR METAL TUBES



## General data

Materials	Body: nickel-plated brass Gripper: nickel-plated brass Seals: FKM (EPDM and NBR upon request)
Threads	Gas cylindrical ISO-228 (BSP)
Working pressure	-0.9 bar ÷ 60 bar The Series H8000 fittings can withstand a maximum pressure of 60 bar. However, the tube used might affect or limit the operating pressure considerably.
Tube to connect	Polyamide (PA) 6 - 11 - 12, PU, Hytrel Polyester, PTFE and metal tubes (properly shaped)
Diameters	Ø 4, 6, 8, 10, 12, 14 mm
Fluid	All fluids compatible with the fitting materials requiring a leak-tight seal, e.g. water. For other fluids, please contact our technicians.
Temperature	With FKM seals (standard): -15°C ÷ 200°C (dry air) With EPDM (upon request): -40°C ÷ 110°C With NBR seals (upon request): -20°C ÷ 80°C

## Models available

### Mod. H8512



Mod.

H8512 4-1/8-V	H8512 10-1/8-V	H8512 12-1/2-V
H8512 6-1/8-V	H8512 10-1/4-V	H8512 14-3/8-V
H8512 6-1/4-V	H8512 10-3/8-V	H8512 14-1/2-V
H8512 8-1/8-V	H8512 10-1/2-V	H8512 16-3/8-V
H8512 8-1/4-V	H8512 12-1/4-V	H8512 16-1/2-V
H8512 8-3/8-V	H8512 12-3/8-V	

### Mod. H8522



Mod.

H8522 4-1/8-V	H8522 10-1/8-V	H8522 12-1/2-V
H8522 6-1/8-V	H8522 10-1/4-V	H8522 14-3/8-V
H8522 6-1/4-V	H8522 10-3/8-V	H8522 14-1/2-V
H8522 8-1/8-V	H8522 10-1/2-V	
H8522 8-1/4-V	H8522 12-1/4-V	
H8522 8-3/8-V	H8522 12-3/8-V	

### Mod. H8540



Mod.

H8540 4-V	H8540 10-V
H8540 6-V	H8540 12-V
H8540 8-V	H8540 14-V

### Mod. H8550



Mod.

H8550 4-V	H8550 10-V
H8550 6-V	H8550 12-V
H8550 8-V	H8550 14-V

### Mod. H8580



Mod.

H8580 4-V	H8580 10-V
H8580 6-V	H8580 12-V
H8580 8-V	H8580 14-V

Other models are available upon request.

For further details we kindly suggest you to contact the Camozzi sales department at [sales@camozzi.com](mailto:sales@camozzi.com).