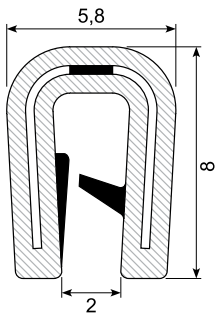


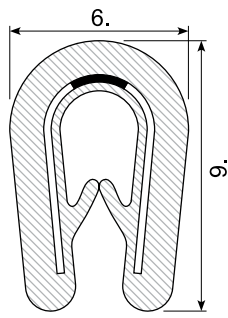
# Kantlister / Edge trims

**33.306**



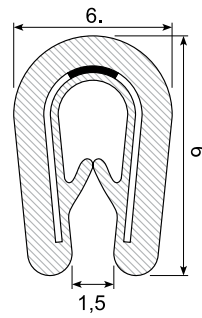
Edge trim: PVC black + bi  
Grip range: 1 - 2 mm  
Hardness: SH 78 / 65  
Insert: 15 x 0,3 mm steel

**33.409F**



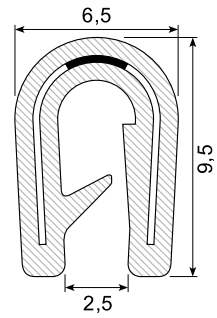
Edge trim: EPDM  
Grip range: 1 - 2 mm  
Hardness: SH 60  
Insert: Steel  
Flame retardent EN 45545

**33.409 / 33.401G**



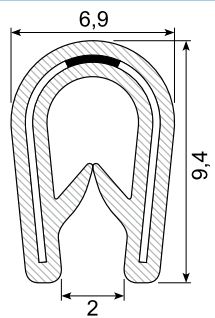
Edge trim: PVC black  
Grip range: 1 - 2 mm  
Hardness: SH 78  
Insert: 16 x 0,3 mm steel  
33.401G (grey)

**33.307A**



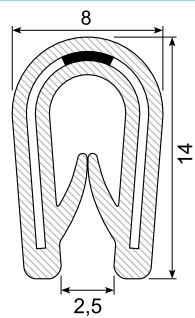
Edge trim: PVC black  
Grip range: 1 - 2 mm  
Hardness: SH 75  
Insert: 17,5 x 0,3 mm steel  
On cardboard coil

**33.410X / 33.410XG**



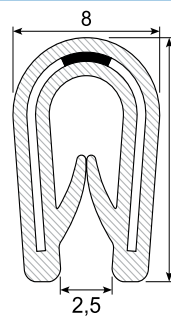
Edge trim: PVC black  
Grip range: 1 - 2 mm  
Hardness: SH 75  
Insert: 17,5 x 0,3 mm steel  
33.410XG (grey)

**33.310X**



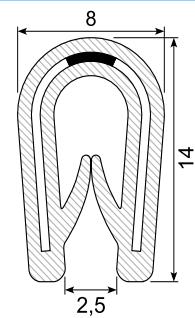
Edge trim: PVC black  
Grip range: 1 - 3 mm  
Hardness: SH 75  
Insert: 26 x 0,47 mm steel

**33.310SS**



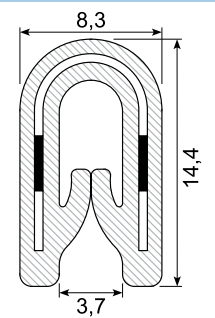
Edge trim: PVC black  
Grip range: 1 - 2,5 mm  
Hardness: SH 70 - 75  
Insert: 26 x 0,5 mm stainless steel SS 304

**33.310SS-316**



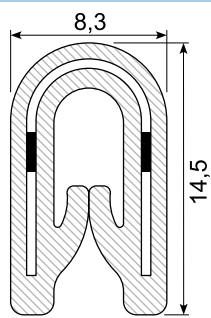
Edge trim: PVC black  
Grip range: 1 - 2,5 mm  
Hardness: SH 70 - 75  
Insert: 26 x 0,5 mm stainless steel SS 316 (acid-proof)

**33.422**



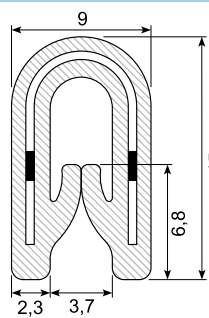
Edge trim: TPE flexible  
Grip range: 1 - 2,5 mm  
Hardness: SH 82  
Insert: 25 x 0,48 mm steel

**33.309XM**



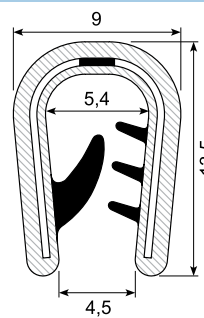
Edge trim: PVC mokka brown  
Grip range: 1 - 2,5 mm  
Hardness: SH 78  
Insert: Steel  
Current stock available

**33.003**



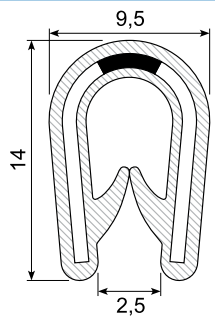
Edge trim: PVC black  
Grip range: 1 - 2,5 mm  
Hardness: SH 78  
Insert: Steel  
Current stock available

**33.418SS**



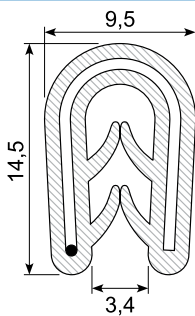
Edge trim: PVC black + bi  
Grip range: 1,5 - 3 mm  
Hardness: SH 78 / 78  
Insert: 26 x 0,5 mm stainless 304 steel

**33.308A**



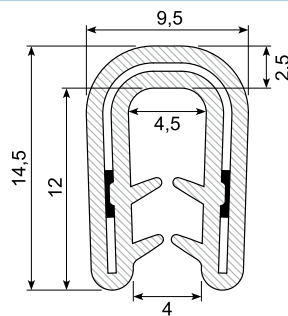
Edge trim: PVC black  
Grip range: 1 - 4 mm  
Hardness: SH 75  
Insert: 26 x 0,47 mm steel  
On cardboard coil

**33.432**



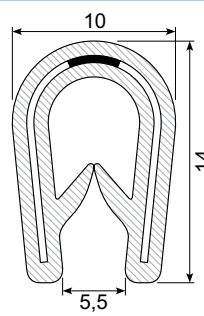
Edge trim: EPDM  
Grip range: 1 - 3 mm  
Hardness: SH 65  
Insert: 27 mm wire

**33.438**



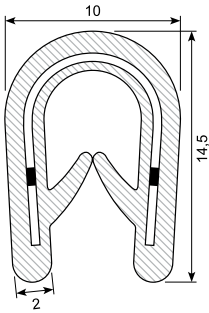
Edge trim: EPDM  
Grip range: 1,5 - 3,5 mm  
Hardness: SH 65  
Insert: 29 x 0,5 mm steel

**33.420X**



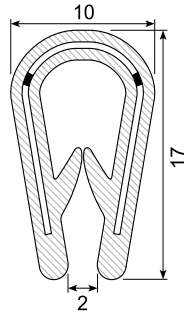
Edge trim: PVC black  
Grip range: 1 - 4 mm  
Hardness: SH 75  
Insert: 27 x 0,47 mm steel

**33.420F**



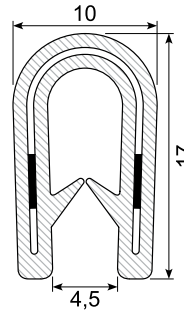
Edge trim: EPDM  
Grip range: 1 - 3 mm  
Hardness: SH 65  
Insert: 26 x 0,5 mm steel  
**Flame retardent NNF 16-101**  
Min. order: 500 m.

**33.419**



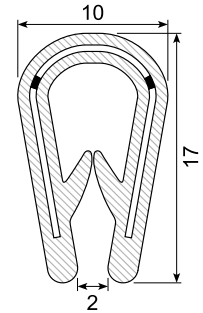
Edge trim: PVC black  
Grip range: 1 - 4 mm  
Hardness: SH 78  
Insert: 31 x 0,5 mm steel

**33.411**



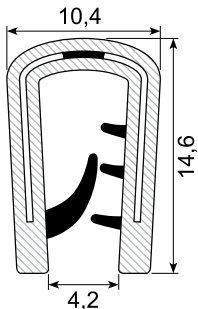
Edge trim: PVC grey  
Grip range: 2,5 - 4 mm  
Hardness: SH 78  
Insert: 29 x 0,48 mm steel

**33.411A \***



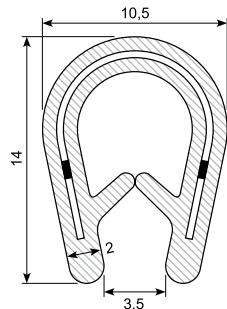
Edge trim: PVC grey  
Grip range: 1 - 4 mm  
Hardness: SH 78  
Insert: 31 x 0,5 mm steel  
Min. order: 2.000 mtr.

**33.418X**



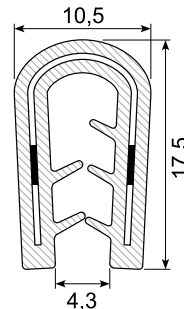
Edge trim: PVC black + bi  
Grip range: 2 - 5 mm  
Hardness: SH 75 / 75  
Insert: 26 x 0,47 mm steel  
White lips

**33.420FX**



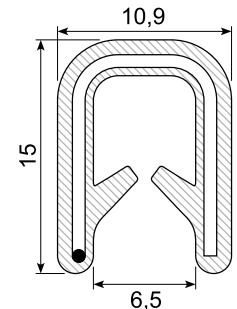
Edge trim: EPDM  
Grip range: 1 - 3 mm  
Hardness: SH 60  
Insert: 26 x 0,5 mm steel  
**Flame retardent EN 45545**

**33.425G**



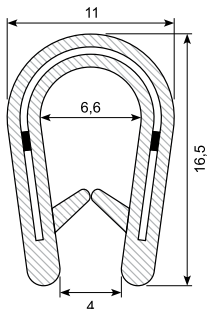
Edge trim: PVC grey  
Grip range: 3 - 4 mm  
Hardness: SH 78  
Insert: 35 x 0,48 mm steel  
Min. order: 2.000 m

**33.434**



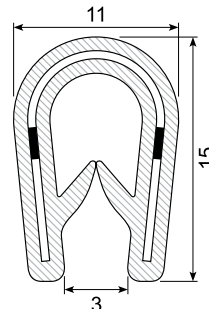
Edge trim: EPDM  
Grip range: 2 - 4 mm  
Hardness: SH 65  
Insert: 30 mm wire

**33.419A \*\***



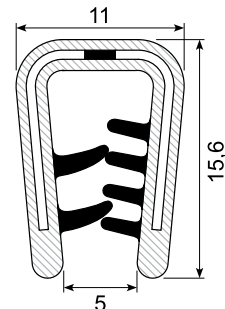
Edge trim: PVC black  
Grip range: 2 - 4 mm  
Hardness: SH 75  
Insert: 30 x 0,5 mm steel

**33.423**



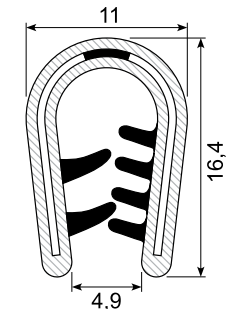
Edge trim: PVC black  
Grip range: 2,5 - 5 mm  
Hardness: SH 78  
Insert: Steel  
**Current stock available**

**33.427X**



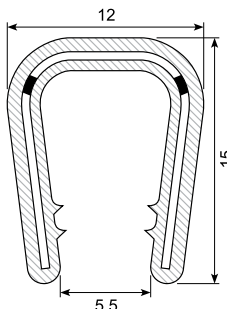
Edge trim: PVC black + bi  
Grip range: 1,5 - 4,5 mm  
Hardness: SH 75 / 75  
Insert: 30 x 0,47 mm steel  
Yellow lips

**33.094X**



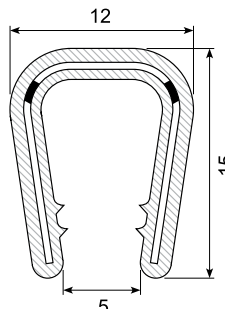
Edge trim: PVC black + bi  
Grip range: 1 - 4 mm  
Hardness: SH 75 / 75  
Insert: 30 x 0,47 mm steel  
Yellow lips

**33.1153A**



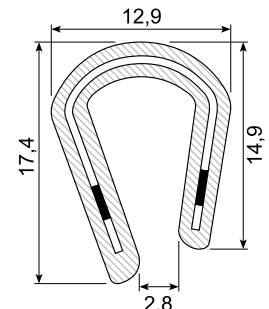
Edge trim: PVC Black  
Grip range: 6 - 8 mm  
Hardness: SH 78  
Insert: 32 mm steel

**33.1153GA**



Edge trim: PVC Grey  
Grip range: 6 - 8 mm  
Hardness: SH 78  
Insert: 32 mm steel

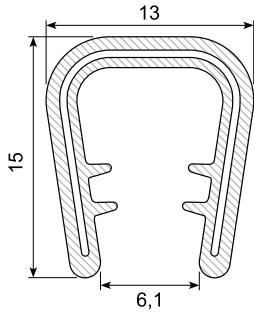
**33.415**



Edge trim: PVC  
Grip range: 5 - 7 mm  
Hardness: SH 78  
Insert: 29 x 0,48 mm steel

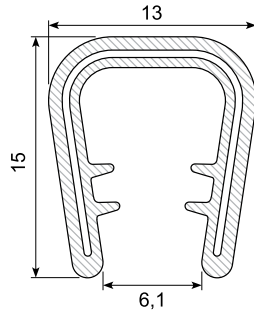
# Kantlister / Edge trims

**33.426XA**



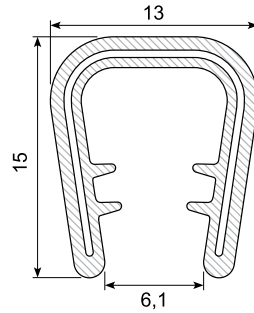
Hardness: SH 78  
Insert: 32 mm  
Min. order: 2.000 m

**33.426A**



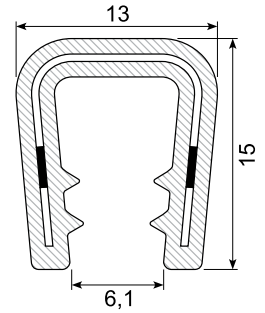
Hardness: SH 78 / 65  
Insert: 32 mm  
Min. order: 3.000 m

**33.426GA**



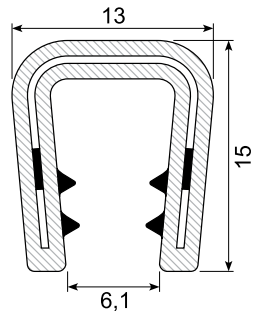
Edge trim: Grey  
Insert: 32 mm  
Min. order: 3.000 m

**33.426X**



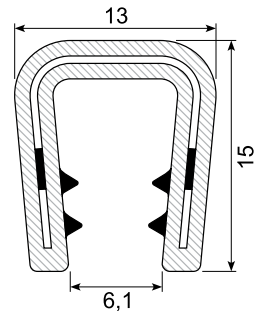
Edge trim: PVC black  
Grip range: 4,5 - 7 mm  
Hardness: SH 75  
Insert: 30 x 0,8 mm steel

**33.426**



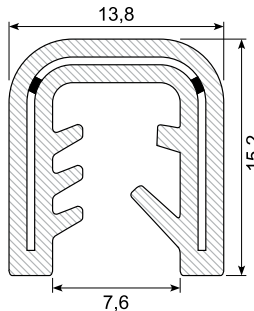
Edge trim: PVC + bi  
Grip range: 4,5 - 7 mm  
Hardness: SH 78 / 65  
Insert: 29 x 0,48 mm steel

**33.426G \***



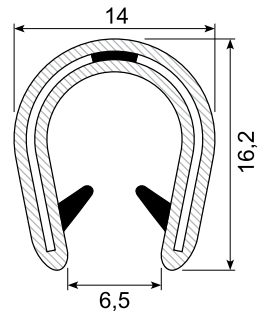
Edge trim: Grey PVC + bi  
Grip range: 4,5 - 7 mm  
Hardness: SH 78 / 65  
Insert: 29 x 0,48 mm steel  
Min. order 1.000 m

**33.433**



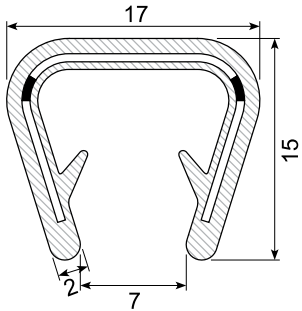
Edge trim: EPDM  
Grip range: 4 - 6 mm  
Hardness: SH 70  
Insert: 33 x 0,47 mm steel  
Flame retardent EPDM DIN5510-2

**33.1154**



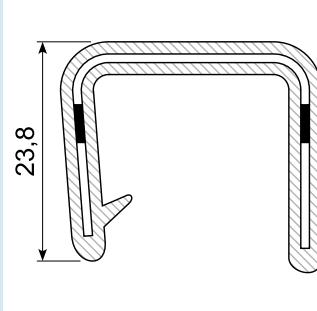
Edge trim: PVC black  
Grip range: 6 - 8 mm mm  
Hardness: SH 75 / 75  
White lips

**33.428 / 33.428G**



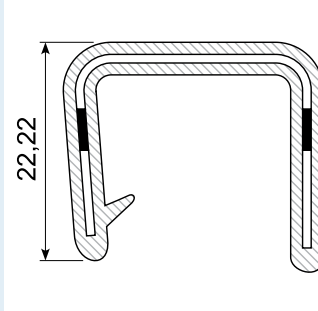
Edge trim: PVC black + bi  
Grip range: 10 - 12 mm  
Hardness: SH 78  
Insert: 36 x 0,5 mm steel  
33.428G (grey)

**33.1155**



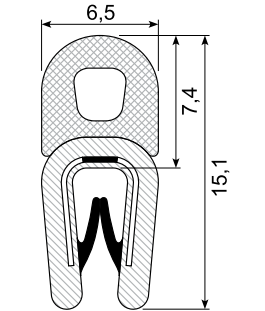
Edge trim: PVC black  
Grip range: 15 - 16 mm  
Hardness: SH 85  
Insert: Steel

**33.1156**



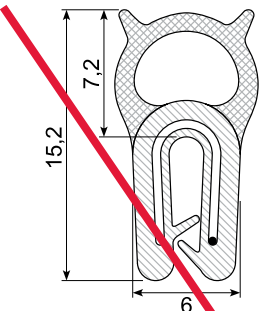
Edge trim: PVC black  
Grip range: 18 - 19 mm  
Hardness: SH 85  
Insert: Steel

**33.354**



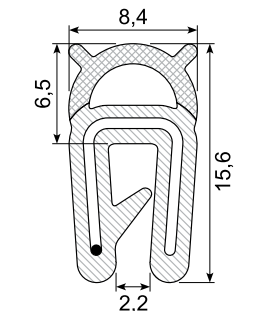
Edge trim: PVC+bi / sponge rubber  
Grip range: 1 - 2 mm  
Hardness: SH 78 / 57 / density 0,55  
Insert: 16 x 0,3 mm steel

**33.368 \* \*\***



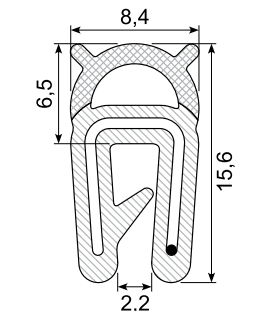
Edge trim: EPDM co-ex  
Grip range: 0,5 - 1,5 mm  
Hardness: SH 60 / density 0,55  
Insert: wire  
Min. order: 6.000 mtr.

**33.468F**



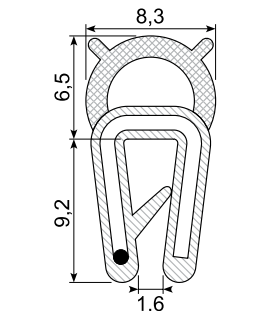
Edge trim: EPDM co-ex  
Grip range: 1 - 2 mm  
Hardness: SH 60 / density 0,8  
Insert: 22 x 0,75 mm wire  
Flame retardent EN 45545

**33.468X**



Edge trim: EPDM co-ex  
Grip range: 1 - 2 mm  
Hardness: SH 60 / density 0,55  
Insert: 22 x 0,75 mm wire

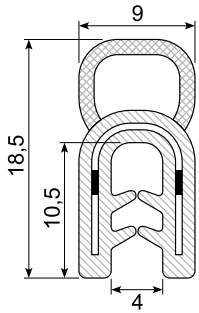
**33.468B \***



Edge trim: EPDM co-ex  
Grip range: 1 - 2 mm  
Hardness: SH 70 / density 0,55  
Insert: 22 mm wire  
Min. order: 3.000 mtr.

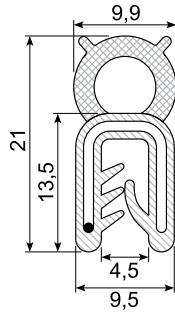
\* Skaffevare / Special order item \*\* Opdateret siden tryk / Updated since print

**33.358C \***



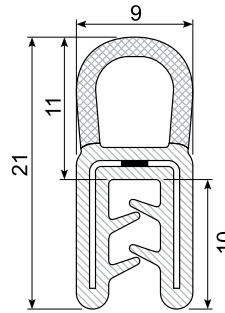
Edge trim: EPDM co-ex  
Grip range: 0,8 - 2,5 mm  
Hardness: SH 65  
Insert: 25 x 0,5 mm steel  
Min. order: 3.000 m

**33.021**



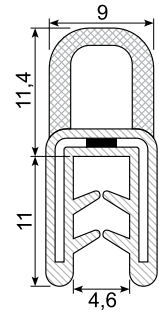
Edge trim: EPDM co-ex  
Grip range: 0,8 - 2 mm  
Hardness: SH 70 / density 0,55  
Insert: 25 mm wire

**33.358X**



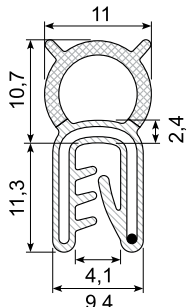
Edge trim: EPDM co-ex  
Grip range: 1 - 3,5 mm (1 - 3 mm)  
Hardness: SH 70 / density 0,55  
Insert: 26 x 0,5 mm  
Unbroken

**33.358B**



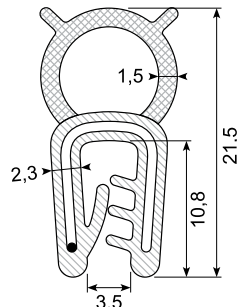
Edge trim: EPDM co-ex  
Grip range: 1 - 3 mm  
Hardness: SH 70 / density 0,55  
Insert: 27 mm

**33.370NBR**



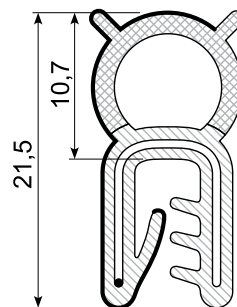
Edge trim: NBR co-ex  
Grip range: 1 - 3 mm  
Hardness: SH 70 / density 0,55  
Insert: Wire  
Oil resistant

**33.371A \* \*\***



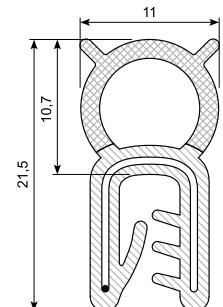
Edge trim: EPDM co-ex  
Grip range: 1 - 3 mm  
Hardness: SH 60 / density 0,55  
Insert: 26 x 0,76 mm wire  
Min. order: 7.000 m

**33.371E EMV - EMC - EMI \***



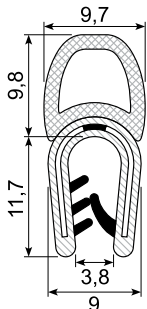
Edge trim: EPDM co-ex  
Grip range: 1 - 3 mm  
Hardness: SH 70 / density 0,55  
Insert: Wire  
Electromagnetic compatibility. On demand

**33.371F**



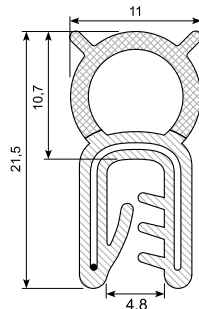
Edge trim: EPDM co-ex  
Grip range: 1 - 3 mm  
Hardness: SH 65 / density 0,6  
Insert: 26 x 0,75 mm wire  
Flame retardant NFF16-101  
Min. 4.000 m

**33.469X**



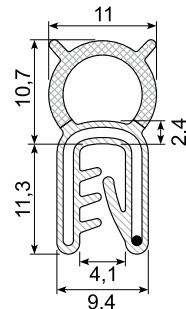
Edge trim: PVC+bi / sponge rubber  
Grip range: 1,5 - 3,5 mm  
Hardness: SH 75 / 63  
density 0,6 - 0,85  
Insert: 26 x 0,47 mm steel

**33.371FX**



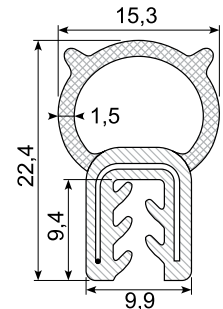
Edge trim: EPDM co-ex  
Grip range: 1 - 3 mm  
Hardness: SH 60 / density 0,8  
Insert: 26 x 0,75 mm wire  
Flame retardant EN 45545

**33.371X**



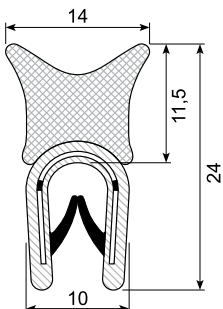
Edge trim: EPDM co-ex  
Grip range: 1 - 3,5 mm (1 - 3 mm)  
Hardness: SH 70 / density 0,55  
Insert: 27 mm wire

**33.369**



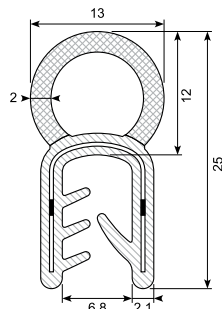
Edge trim: EPDM co-ex  
Grip range: 2 - 4 mm  
Hardness: SH 65 / density 0,6  
Insert: Wire

**33.481**



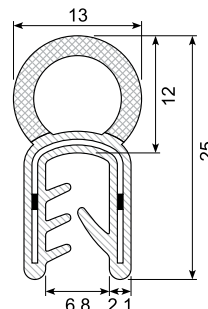
Edge trim: PVC + bi / spongerubber  
Grip range: 1 - 4 mm  
Hardness: SH 57 / 78 / density 0,55  
Insert: Steel

**33.353NBR**



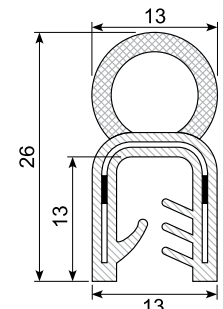
Edge trim: Co-ex  
Grip range: 3 - 4 mm  
Hardness: SH 70 / density 0,55  
Insert: 31 x 0,5 mm  
Min. order: 3.000 m

**33.353S \***



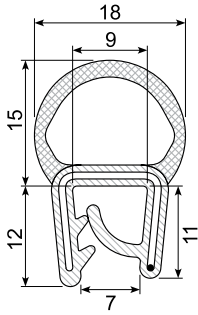
Edge trim: EPDM co-ex  
Grip range: 3 - 4 mm  
Hardness: SH 65 / density 0,6  
Insert: 31 x 0,5 mm steel  
Min. order: 6.000 m

**33.353**



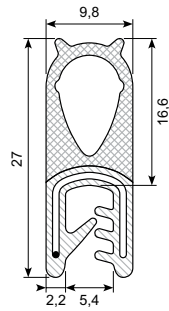
Edge trim: EPDM co-ex  
Grip range: 3 - 5 mm  
Hardness: SH 65 / density 0,6  
Insert: 32 mm steel

33.352 \*



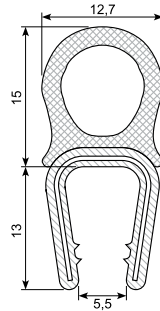
Edge trim: EPDM co-ex  
Grip range: 5 - 6 mm  
Hardness: SH 78 / density 0,6  
Insert: 31 x 0,5 mm  
Min. order: 2.000 m

33.362FX



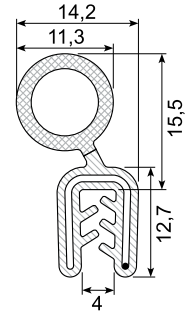
Edge trim: EPDM co-ex  
Grip range: 1 - 3,5 mm  
Hardness: SH 60 / density 0,8  
Insert: 26 x 0,75 mm wire  
**Flame retardent EN 45545**

33.357X



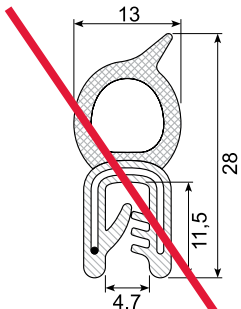
Edge trim: PVC / sponge rubber  
Grip range: 5 - 7 mm  
Hardness: SH 78 / density 0,6  
Insert: 31 x 0,5 mm

33.359X



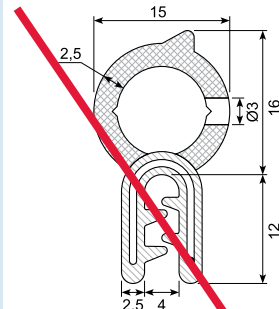
Edge trim: EPDM co-ex  
Grip range: 1,5 - 4 mm  
Hardness: SH 70 / density 0,6 - 0,85  
Insert: 25 wire

~~33.362B \* \*\*~~



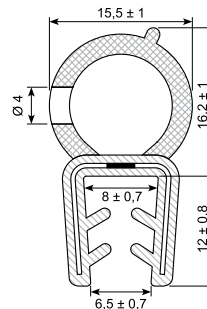
~~Edge trim: EPDM co-ex  
Grip range: 1 - 3,5 mm  
Hardness: SH 70 / density 0,55  
Insert: 26 x 0,76 mm wire  
Min. order: 5.500 m~~

~~33.362A \* \*\*~~



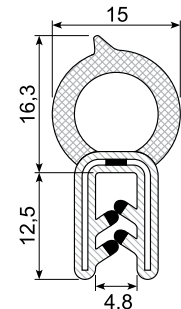
~~Edge trim: EPDM co-ex  
Grip range: 1 - 2,5 mm  
Hardness: SH 70 / density 0,55  
Insert: 26 x 0,76 mm wire  
Min. order: 5.500 m~~

33.353X



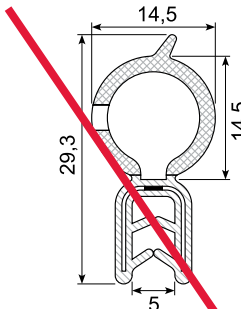
Edge trim: EPDM co-ex  
Grip range: 4 - 6 mm  
Hardness: SH 65 / density 0,6  
Insert: 33 mm steel

33.376



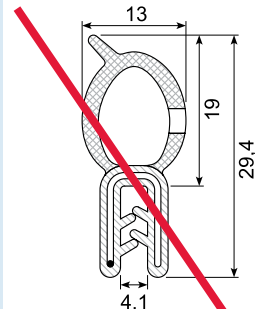
Edge trim: EPDM co-ex  
Grip range: 1 - 3,5 mm  
Hardness: SH 70 / density 0,75  
Insert: 27 mm steel

~~33.361 \* \*\*~~



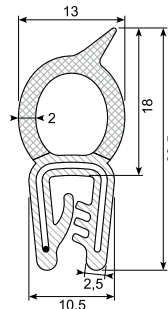
~~Edge trim: EPDM co-ex  
Grip range: 1 - 4 mm  
Hardness: SH 70 / density 0,55  
Insert: 26 x 0,5 mm steel  
Min. order: 5.500 m~~

~~33.361B \* \*\*~~



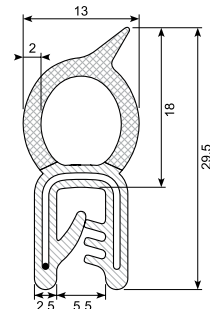
~~Edge trim: EPDM co-ex  
Grip range: 1 - 2,5 mm  
Hardness: SH 65 / density 0,55  
Insert: 26 x 0,76 mm wire  
Min. order: 5.500 m~~

33.360



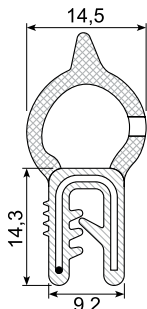
Edge trim: EPDM co-ex  
Grip range: 1 - 2,5 mm  
Hardness: SH 60 / density 0,6  
Insert: 27 x 0,75 mm wire

33.360NBR \*



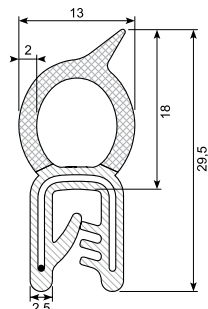
Edge trim: NBR co-ex  
Grip range: 1 - 3 mm  
Hardness: SH 70 / density 0,55  
Insert: 27 x 0,75 wide  
**Oil resistant**  
Min. order: 4.000 m

33.377



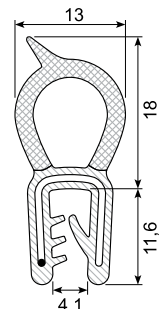
Edge trim: EPDM co-ex  
Grip range: 1 - 3,5 mm  
Hardness: SH 70 / density 0,75  
Insert: 27 mm wire

33.360F



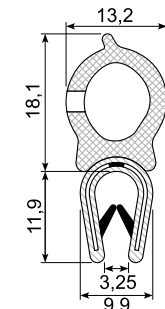
Edge trim: EPDM co-ex  
Grip range: 2 - 4 mm  
Hardness: SH 65 / density 0,6  
Insert: 27 x 0,76 mm wire  
**Flame retardent NFF16-101**  
Min. 3.000 m

33.360X



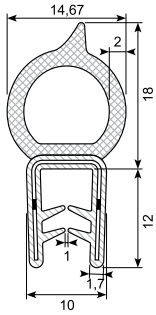
Edge trim: EPDM co-ex  
Grip range: 1 - 3 mm  
Hardness: SH 70 / density 0,6  
Insert: 27 x 0,75 mm wire

33.365X



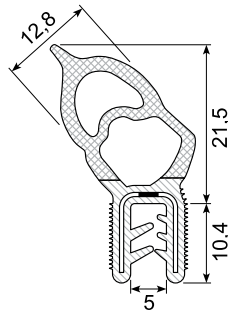
Edge trim: PVC+bi sponge rubber  
Grip range: 1 - 4 mm  
Hardness: SH 75 / 63 / density 0,6 - 0,85  
Insert: 26 x 0,47 mm steel

**33.362F \***



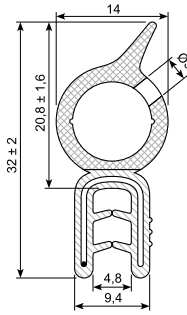
Edge trim: EPDM co-ex  
 Grip range: 2 - 4 mm  
 Hardness: SH 65 / density 0,6  
 Insert: 29 x 0,5 mm steel  
 Min. order: 1.000 m  
 Flame retardant BS6853 and DIN5510

**33.374**



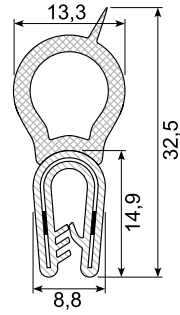
Edge trim: EPDM co-ex  
 Grip range: 1,5 - 4 mm  
 Hardness: SH 70 / density 0,55  
 Insert: 27 x 0,47 mm steel

**33.362D \***



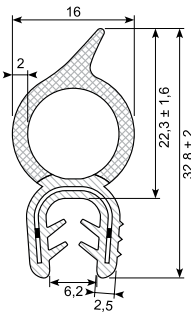
Edge trim: EPDM co-ex  
 Grip range: 2 - 4 mm  
 Hardness: SH 65 / density 0,6  
 Insert: 27 x 0,75 mm wire  
 Min. order: 4.029 m

**33.360R**



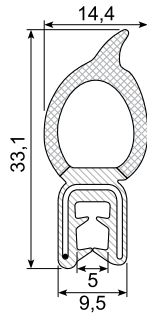
Edge trim: PVC sponge rubber  
 Grip range: 1 - 2,5 mm  
 Hardness: SH 77 / density 0,65 - 0,75  
 Insert: 26 x 0,5 mm stainless 304 steel

**33.362E \***



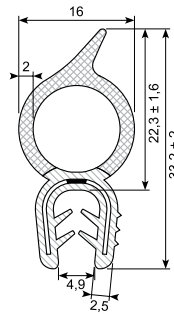
Edge trim: EPDM co-ex  
 Grip range: 3 - 5 mm  
 Hardness: SH 65 / density 0,6  
 Insert: 26 x 0,5 mm steel  
 Min. order: 4.050 m

**33.362**



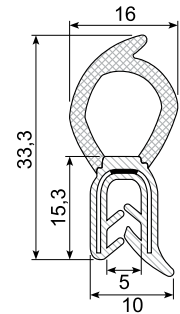
Edge trim: EPDM co-ex  
 Grip range: 1 - 3,5 mm  
 Hardness: SH 70 / density 0,6  
 Insert: 26 x 0,76 mm wire

**33.362C \***



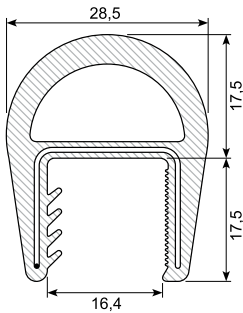
Edge trim: EPDM co-ex  
 Grip range: 1,5 - 3 mm  
 Hardness: SH 65 / density 0,6  
 Insert: 26 x 0,5 mm steel  
 Min. order: 4.050 m

**33.025**



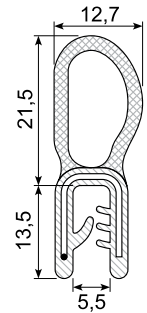
Edge trim: EPDM co-ex  
 Grip range: 1,5 - 3,5 mm  
 Hardness: SH 70 / density 0,55  
 Insert: 27 x 0,47 mm steel

**33.367**



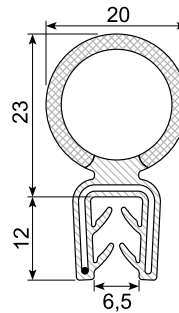
Edge trim: EPDM solid balloon  
 Grip range: 16 mm  
 Hardness: SH 60  
 Insert: 52 x 0,76 mm wire

**33.380**



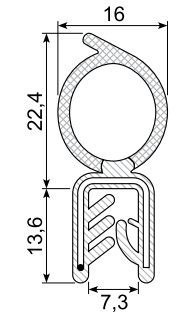
Edge trim: EPDM co-ex  
 Grip range: 2 - 4 mm  
 Hardness: SH 70 / density 0,55  
 Insert: 29 mm wire

**33.379**



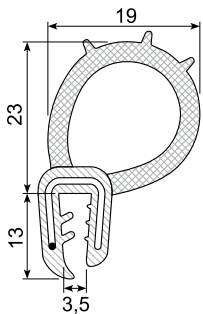
Edge trim: EPDM co-ex  
 Grip range: 2,5 - 5 mm  
 Hardness: SH 70 / density 0,55  
 Insert: 33 mm wire

**33.378**



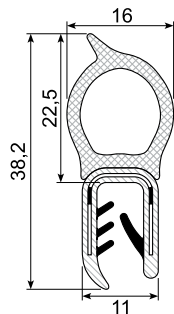
Edge trim: EPDM co-ex  
 Grip range: 1,5 - 5 mm  
 Hardness: SH 70 / density 0,55  
 Insert: 33 mm wire

**33.375**



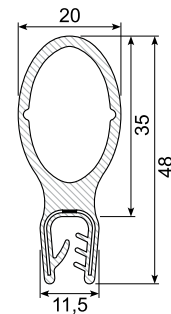
Edge trim: EPDM co-ex  
 Grip range: 4 - 5 mm  
 Hardness: SH70 / density 0,6 - 0,85  
 Insert: 27 mm wire

**33.463**



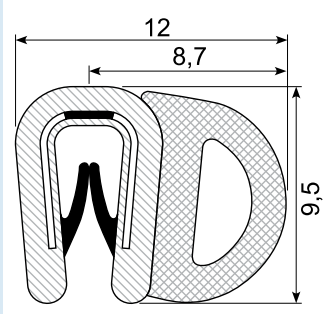
Edge trim: PVC+bi / sponge rubber  
 Grip range: 4 - 6 mm  
 Hardness: SH78/57 density 0,55  
 Insert: 31 x 0,5 mm steel

**33.355B**



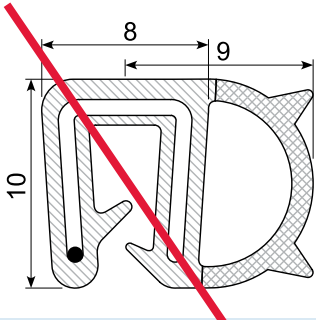
Edge trim: EPDM solid balloon  
 Grip range: 3 - 5 mm  
 Hardness: SH 60  
 Insert: 31 x 0,5 mm steel unbroken

**33.408X**



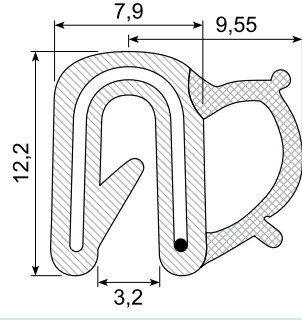
Edge trim: PVC+bi / sponge rubber  
 Grip range: 1 - 2 mm  
 Hardness: SH 78 / 57 density 0,55  
 Insert: 16 x 0,3 mm steel  
 \* Skaffevare / Special order item

**33.404 \* \*\***



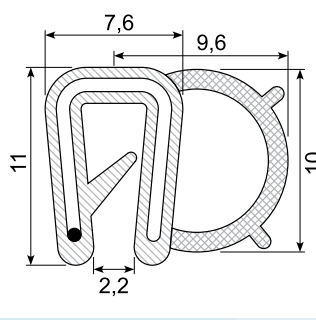
Edge trim: EPDM co-ex  
Grip range: 1 - 2,5 mm  
Hardness: SH 60 / density 0,55  
Insert: 20 x 0,76 mm wire  
Min. order: 5.500 m

**33.407X**



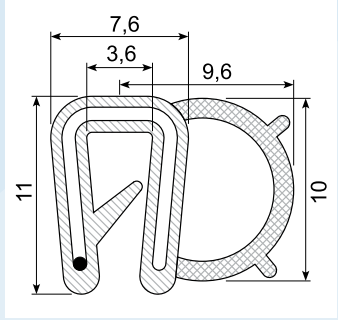
Edge trim: EPDM co-ex  
Grip range: 0,8 - 2,5 mm  
Hardness: SH 60 / density 0,55  
Insert: 22 x 0,75 mm wire

**33.403 \* \*\***



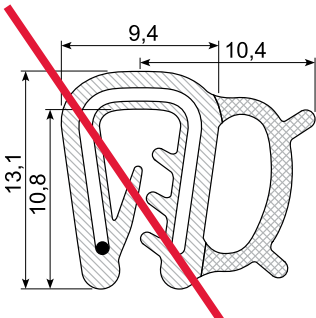
Edge trim: EPDM co-ex  
Grip range: 1 - 2 mm  
Hardness: SH 70 / density 0,55  
Insert: 20 x 0,76 mm wire  
Min. order: 8.000 m

**33.403F**



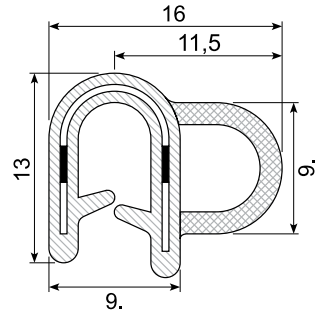
Edge trim: EPDM co-ex  
Grip range: 1 - 2 mm  
Hardness: SH 60 / density 0,8  
Insert: 22 x 0,75 mm wire  
**Flame retardent EN 45545**

**33.405 \* \*\***



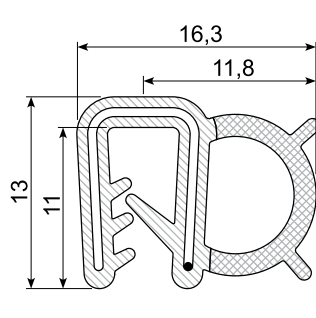
Edge trim: EPDM co-ex  
Grip range: 1 - 2 mm  
Hardness: SH 70 / density 0,55  
Insert: Wire  
Min. order: 5.500 m

**33.9779 \*\***



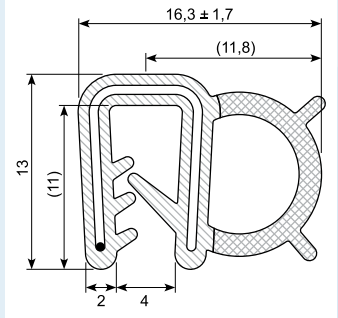
Edge trim: EPDM co-ex  
Grip range: 1,5 - 3 mm (1 - 3 mm)  
Hardness: SH 70 / density 0,65  
Insert: 25 x 0,5 mm steel

**33.395A**



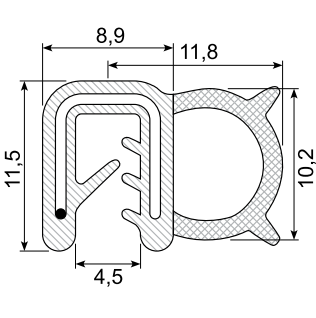
Edge trim: EPDM co-ex  
Grip range: 2 mm  
Hardness: SH 60 / density 0,6  
Insert: 26 x 0,75 mm wire

**33.395F**



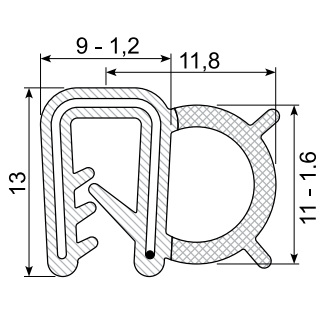
Edge trim: EPDM co-ex  
Grip range: 1 - 3 mm  
Hardness: SH 60 / density 0,8  
Insert: 26 x 0,75 mm wire  
**Flame retardent EN 45545**

**33.395X**



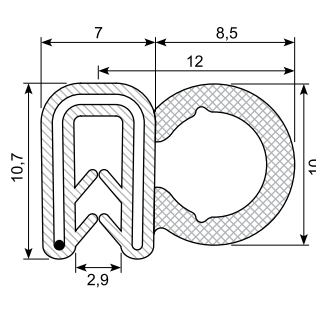
Edge trim: EPDM co-ex  
Grip range: 1 - 3 mm  
Hardness: SH 70 / density 0,55  
Insert: Wire

**33.398**



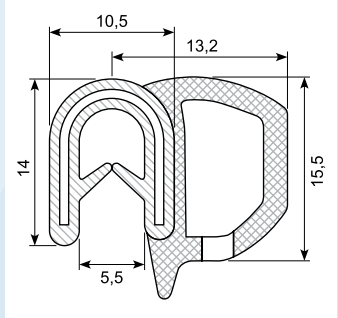
Edge trim: NBR co-ex  
Grip range: 2 mm  
Hardness: SH 60 / density 0,55  
Insert: 27 x 0,76 mm wire  
**Oil resistant**

**33.381**



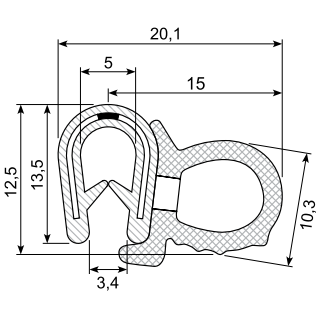
Edge trim: EPDM co-ex  
Grip range: 1 - 2,5 mm  
Hardness: SH 70 density 0,55  
Insert: Wire

**33.444A**



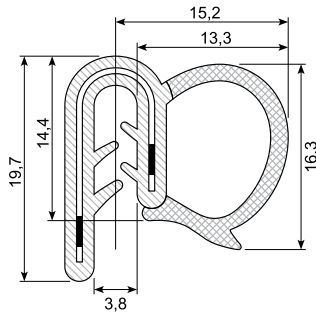
Edge trim: EPDM co-ex  
Grip range: 1,5 - 4 mm  
Hardness: SH 70 / density 0,55  
Insert: Wire  
Min. order: 1.000 m

**33.372X**



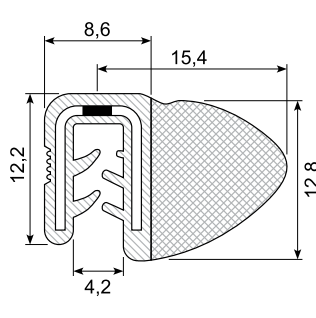
Edge trim: PVC + sponge rubber  
Grip range: 1 - 3,5 mm  
Hardness: SH 75 / 75 / density 0,6 - 0,85  
Insert: 22 x 0,47 mm steel

**33.506 \* \*\***



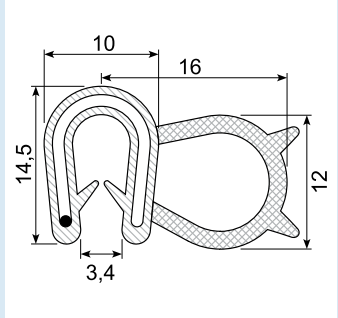
Edge trim: EPDM co-ex  
Grip range: 1 - 2,5 mm  
Hardness: SH 70 / density 0,6  
Insert: 30 x 0,47 mm steel  
On demand min. 4.000 m

**33.480**



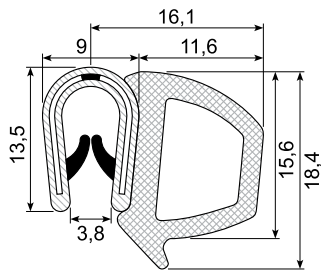
Edge trim: EPDM co-ex  
Grip range: 1 - 3,5 mm  
Hardness: SH 70 / density 0,55  
Insert: Steel

**33.396**



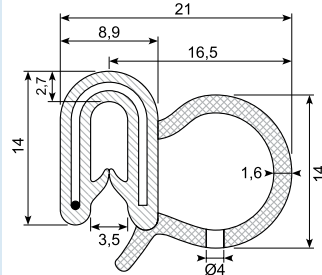
Edge trim: EPDM co-ex  
Grip range: 1 - 3 mm  
Hardness: SH 70 density 0,6 - 0,85  
Insert: 27 mm wire

33.444X



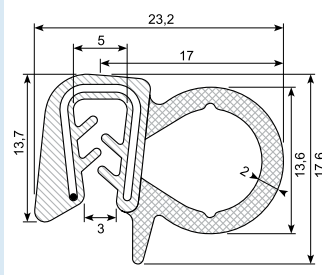
Edge trim: PVC + sponge rubber  
Grip range: 1 - 3,5 mm  
Hardness: SH75/75/density 0,6-0,86  
Insert: 26 x 0,47 mm steel  
Red lips

33.319



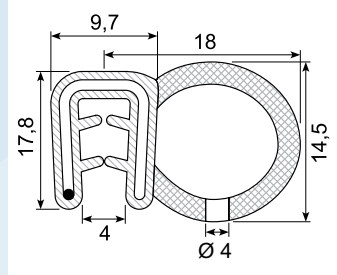
Edge trim: EPDM co-ex  
Grip range: 1 - 3 mm  
Hardness: SH 70 / density 0,6 0,85  
Insert: Wire

33.319F \*



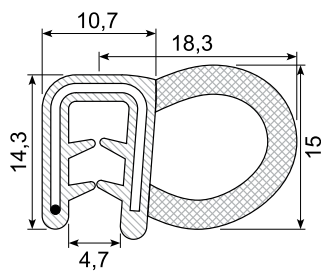
Edge trim: EPDM co-ex  
Grip range: 1 - 2 mm  
Hardness: SH 70 / density 0,6  
Insert: 26 x 0,75 mm wire  
Flame retardant NFF16-101  
Min. order: 3.000 m

33.323



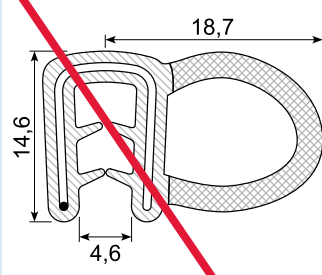
Edge trim: EPDM co-ex  
Grip range: 1,5 - 3,5 mm  
Hardness: SH 70  
density 0,6 - 0,85  
Insert: 27 mm

33.324CR



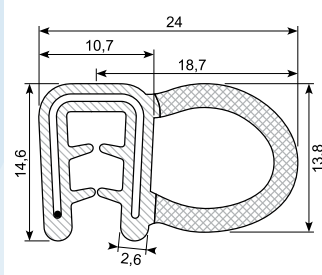
Edge trim: CR co-ex  
Grip range: 1 - 3,5 mm  
Hardness: SH70 / density 0,6 - 0,85  
Insert: 29 mm wire  
Conditional oil resistant

33.338 \* \*\*



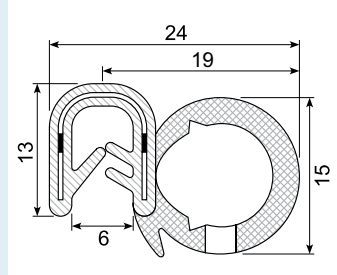
Edge trim: EPDM co-ex  
Grip range: 1,5 - 3 mm  
Hardness: SH 60 / density 0,55  
Insert: 29 x 0,76 mm wire  
Min. order: 5.000 m

33.338F



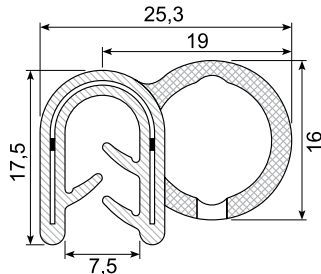
Edge trim: EPDM co-ex  
Grip range: 1,5 - 3 mm  
Hardness: SH 65 / density 0,60  
Insert: 30 x 0,75 mm wire  
Flame retardant EN45545

33.336 \* \*\*



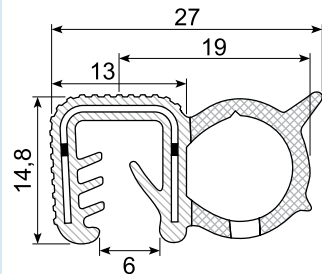
Edge trim: EPDM co-ex  
Grip range: 1,5 - 3,5 mm  
Hardness: SH 70 / density 0,55  
Insert: 26 x 0,5 mm steel  
Min. order: 6.700 m

33.450NBR



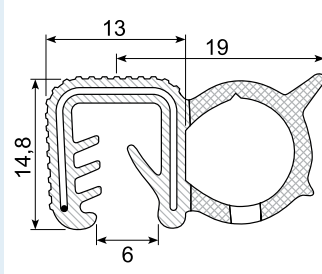
Edge trim: NBR co-ex  
Grip range: 4 - 6 mm (3 - 6 mm)  
Hardness: SH 70 / density 0,55  
Insert: 34 x 0,5 mm steel  
Oil resistant

33.457



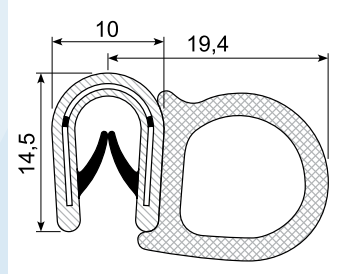
Edge trim: EPDM co-ex  
Grip range: 5 - 6 mm  
Hardness: SH 60 / density 0,6  
Insert: 32 x 0,6 mm steel unbroken

33.457ST



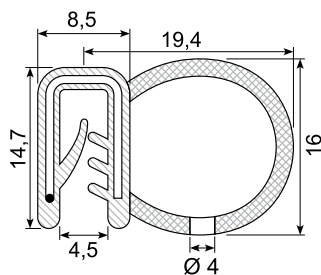
Edge trim: EPDM co-ex  
Grip range: 5 - 6 mm  
Hardness: SH 60 / density 0,55  
Insert: 31 x 0,76 mm wire

33.449



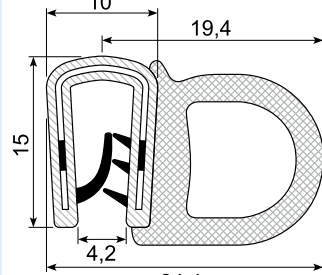
Edge trim: PVC+bi / sponge rubber  
Grip range: 1 - 4 mm  
Hardness: SH78/57 / density 0,55  
Insert: 26 x 0,5 mm steel

33.321



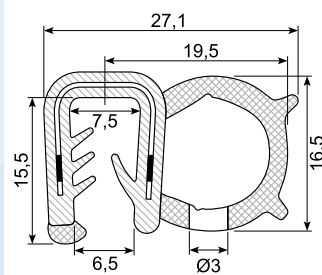
Edge trim: EPDM co-ex  
Grip range: 1 - 3,5 mm  
Hardness: SH 70 / density 0,6 - 0,85  
Insert: 27 mm wire

33.452R



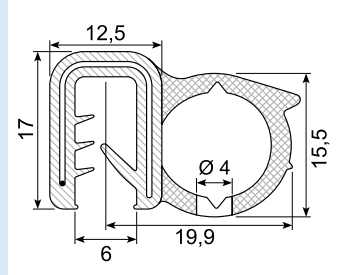
Edge trim: PVC+bi / sponge rubber  
Grip range: 2 - 4 mm  
Hardness: SH 78 / 65  
density 0,65 - 0,75  
Insert: 29 x 0,48 mm stainless steel

33.457S-6



Edge trim: EPDM co-ex  
Grip range: 3 - 6 mm  
Hardness: SH 70 / density 0,6  
Insert: 32 x 0,47 steel

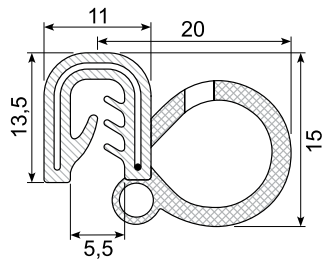
33.024



Edge trim: EPDM co-ex  
Grip range: 2 - 4 mm (2 - 5 mm)  
Hardness: SH 70 / density 0,55  
Insert: 33 mm wire

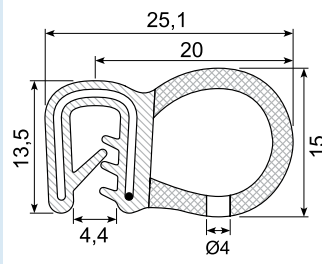


**33.454X**



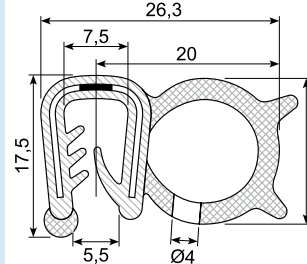
Edge trim: EPDM co-ex  
Grip range: 2 mm  
Hardness: SH 70 / density 0,55  
Insert: 27 x 0,76 mm wire

**33.335**



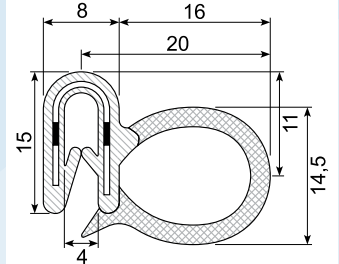
Edge trim: EPDM co-ex  
Grip range: 1,5 - 3,5 mm  
Hardness: SH70/density 0,55-0,85  
Insert: 27 mm wire

**33.457S-4 \***



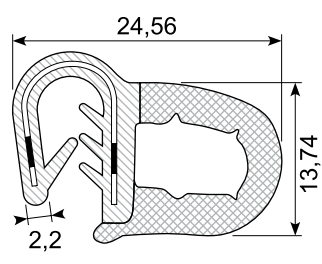
Edge trim: EPDM co-ex  
Grip range: 2 - 4 mm  
Hardness: SH 70 / density 0,6  
Insert: Steel  
Min. order: 3.000 m

**33.333 \***



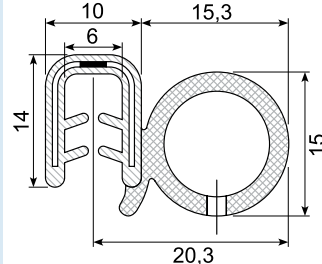
Edge trim: EPDM co-ex  
Grip range: 1 - 3 mm  
Hardness: SH 65 / density 0,6  
Insert: 29 x 0,5 mm steel  
Min. order: 4.000 m

**33.451E**



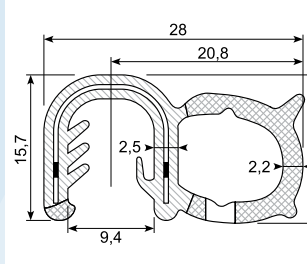
Edge trim: EPDM co-ex

**33.020**



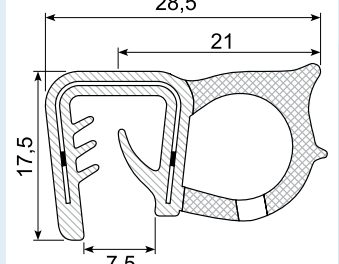
Edge trim: EPDM co-ex  
Grip range: 1,5 - 3 mm  
Hardness: SH 70 / density 0,55  
Insert: 27 x 0,47 mm steel

**33.332X \***



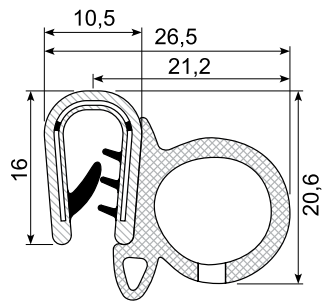
Edge trim: EPDM co-ex  
Grip range: 5 - 6 mm  
Hardness: SH 70 / density 0,6  
Insert: 33 x 0,5 steel  
Min. order: 5.000 m

**33.470**



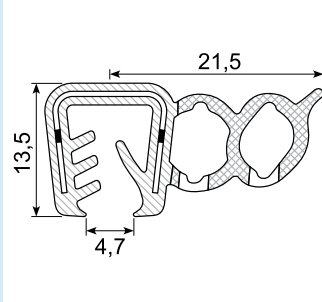
Edge trim: EPDM co-ex  
Grip range: 5 - 8 mm  
Hardness: SH 70 / density 0,6  
Insert: 36 x 0,5 mm steel

**33.339X**



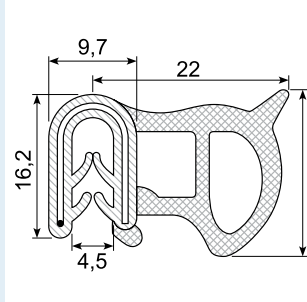
Edge trim: PVC+bi / sponge rubber  
Grip range: 2,5 - 4 mm  
Hardness: SH 78 / 65  
Insert: Steel

**33.456**



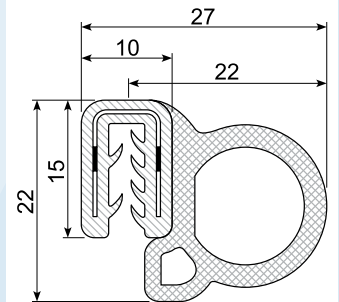
Edge trim: EPDM co-ex  
Grip range: 5 - 6 mm  
Hardness: SH 70 / density 0,6  
Insert: 30 x 0,6 mm steel

**33.12116 \***



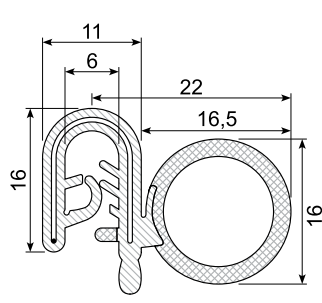
Edge trim: EPDM co-ex  
Grip range: 1 - 4 mm  
Hardness: SH 70 / density 0,6 - 0,85  
Insert: 29 mm wire  
Min. order: 3.000 m

**33.328 \***



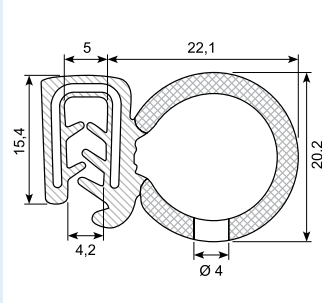
Edge trim: EPDM co-ex  
Grip range: 1,5 - 2,5 mm  
Hardness: SH 65 / density 0,6  
Insert: 29 x 0,5 mm steel  
Min. order: 4.000 m

**33.022**



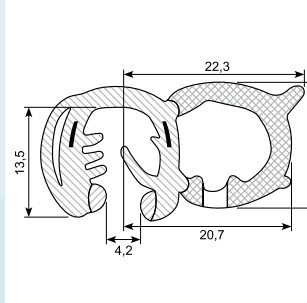
Edge trim: EPDM co-ex  
Grip range: 1,5 - 3 mm (1,5 - 4 mm)  
Hardness: SH 70 / density 0,6  
Insert: 33 mm wire

**33.340**



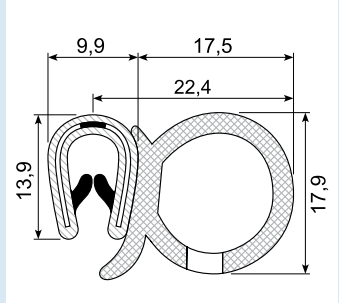
Edge trim: EPDM co-ex  
Grip range: 2 - 4 mm  
Hardness: SH 70  
Insert: 29 x 0,74 mm steel

**33.332B**



Edge trim: EPDM co-ex  
Grip range: 3 - 6 mm  
Hardness: SH 70 / density 0,55  
Insert: 32 mm Steel

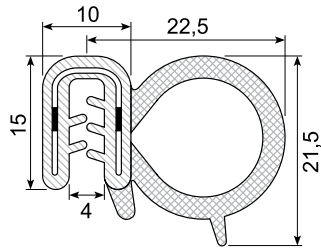
**33.453X**



Edge trim: PVC + sponge rubber  
Grip range: 1 - 3,5 mm  
Hardness: SH75/75 density 0,6-0,85  
Insert: 26 x 0,47 mm steel

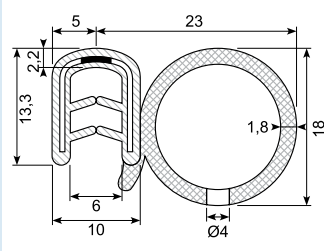
\* Skaffevare / Special order item

33.320 \*



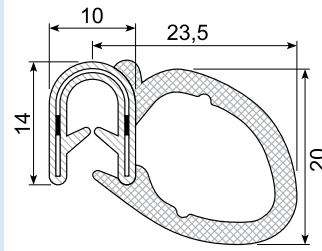
Edge trim: EPDM co-ex  
Grip range: 1 - 2,5 mm  
Hardness: SH 65 / density 0,6  
Insert: 29 x 0,5 mm steel  
Min. order: 4.000 m

33.019



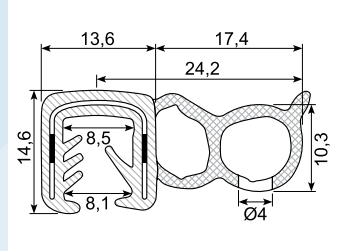
Edge trim: EPDM co-ex  
Grip range: 1 - 4 mm  
Hardness: SH 70 / density 0,6 - 0,85  
Insert: Steel

33.447



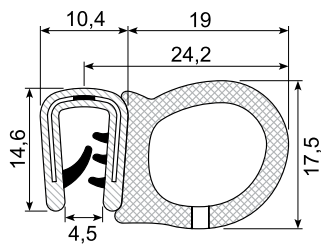
Edge trim: EPDM co-ex  
Grip range: 2,5 - 5 mm  
Hardness: SH 70 / density 0,6  
Insert: Steel

33.455



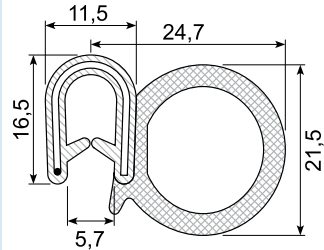
Edge trim: EPDM co-ex  
Grip range: 4 - 6 mm  
Hardness: SH 70 / density 0,6  
Insert: Steel unbroken

33.452X



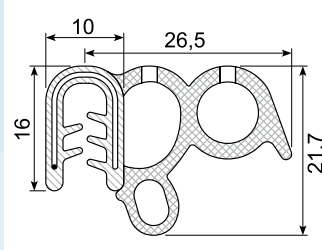
Edge trim: PVC+bi / sponge rubber  
Grip range: 2 - 4 mm  
Hardness: SH 78 / 65  
density 0,65 - 0,75  
Insert: 29 x 0,48 mm

33.326



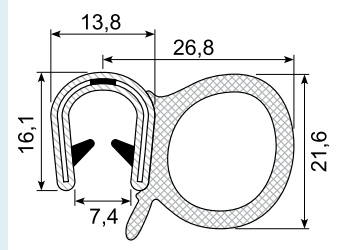
Edge trim: EPDM co-ex  
Grip range: 1,5 - 4 mm  
Hardness: SH70/density 0,55 - 0,85  
Insert: 33 mm wire

33.464



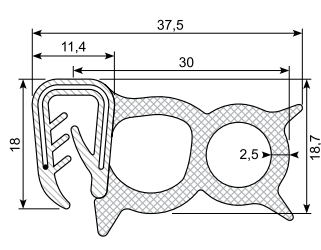
Edge trim: EPDM co-ex  
Grip range: 1,5 - 3,5 mm  
Hardness: SH 70 / density 0,6  
Insert: 31 x 0,75 mm wire

33.331



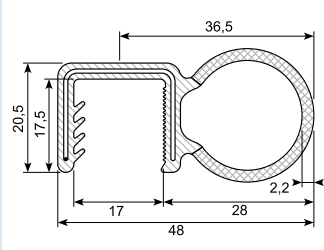
Edge trim: PVC + sponge rubber  
Grip range: 6 - 8 mm  
Hardness: SH75/75 density 0,6-0,85  
Insert: 30 x 0,47 mm steel  
White lips

33.456F



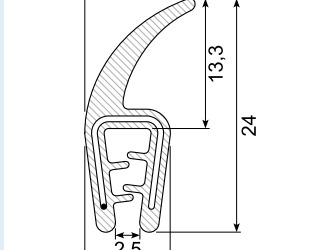
Edge trim: EPDM co-ex  
Grip range: 2 - 4 mm  
Hardness: SH 65 / density 0,6  
Insert: 31 x 0,75 mm wire  
Flame retardent NFF16-101  
Min. order: 3.000 m

33.478



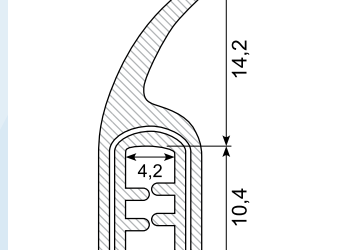
Edge trim: EPDM co-ex  
Grip range: 16 mm  
Hardness: SH 60 / density 0,6  
Insert: 52 x 0,76 mm wire

33.458X



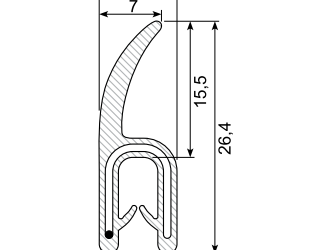
Edge trim: EPDM solid lip  
Grip range: 1 - 2,5 mm  
Hardness: SH 60  
Insert: 26 x 0,76 mm wire

33.458A



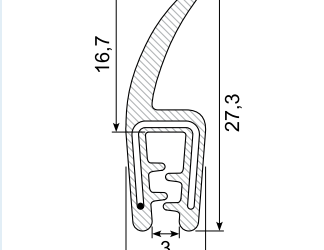
Edge trim: EPDM co-ex  
Grip range: 1 - 3 mm  
Hardness: SH 70  
Insert: Wire

33.465C



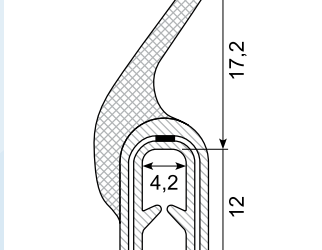
Edge trim: EPDM solid lip  
Grip range: 2 - 4 mm  
Hardness: SH 70  
Insert: 27 x 0,76 mm wire

33.465X



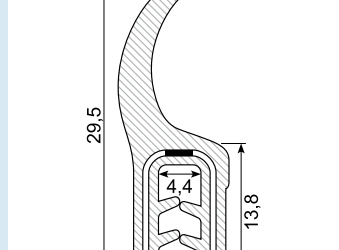
Edge trim: EPDM solid lip  
Grip range: 1 - 3 mm  
Hardness: SH 60  
Insert: 26 x 0,76 mm wire

33.479



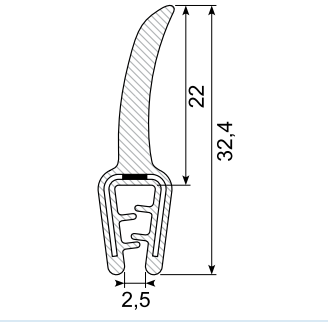
Edge trim: EPDM co-ex  
Grip range: 2 - 4 mm  
Hardness: SH 70 / density 0,6  
Insert: Steel

33.465B \*



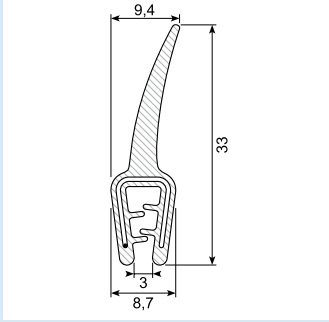
Edge trim: EPDM solid lip  
Grip range: 1 - 3 mm  
Hardness: SH 70  
Insert: 27 x 0,5 mm steel unbroken  
Min. ordre: 3.000 m  
\* Skaffevare / Special order item

**33.459P**



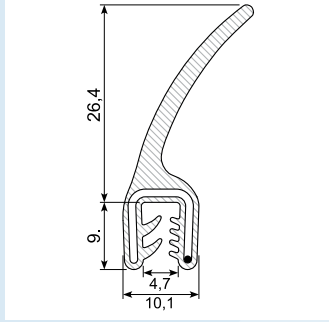
Edge trim: PVC solid lip  
Grip range: 1 - 2,5 mm  
Hardness: SH 57  
Insert: 24 x 0,5 mm steel unbroken

**33.459X**



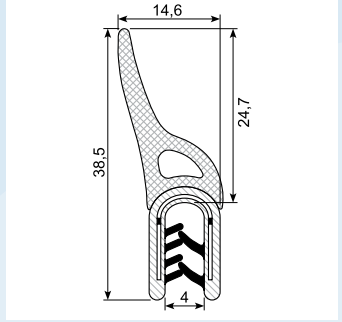
Edge trim: EPDM solid lip  
Grip range: 1 - 2,5 mm  
Hardness: SH 60  
Insert: 26 x 0,76 mm wire

**33.459B**



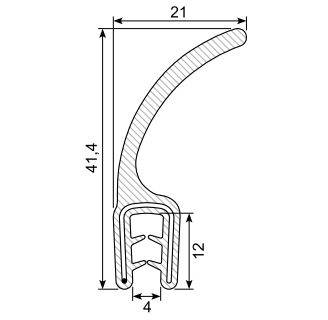
Edge trim: EPDM solid lip  
Grip range: 1,5 - 3 mm  
Hardness: SH 70  
Insert: Wire

**33.475**



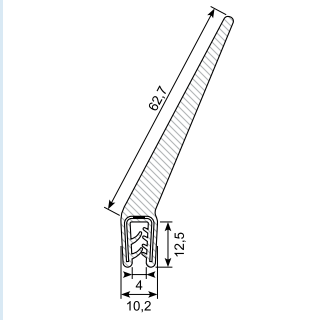
Edge trim: PVC + bi / sponge rubber  
Grip range: 2 - 4 mm  
Hardness: SH 78 / 57 / density 0,55  
Insert: Steel

**33.459C \***



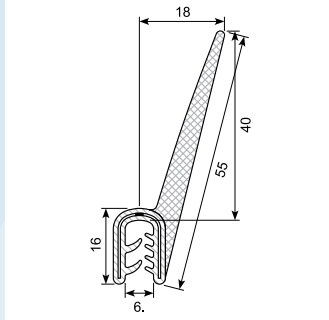
Edge trim: EPDM co-ex, solid lip  
Grip range: 2 - 4 mm  
Hardness: SH 60  
Insert: 29 x 0,76 wire  
Min. order: 6.000 m

**33.382**



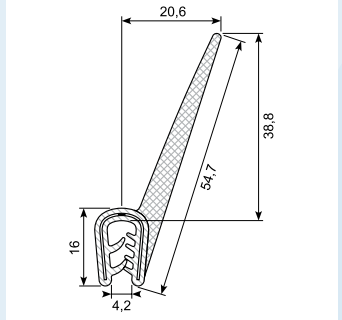
Edge trim: EPDM co-ex, solid lip  
Grip range: 1 - 3,5 mm  
Hardness: SH 70  
Insert: Steel

**33.482**



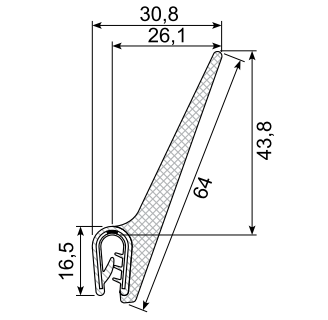
Edge trim: EPDM co-ex, solid lip  
Grip range: 2 - 4,5 mm  
Hardness: SH 70  
Insert: 30 x 0,47 mm steel

**33.483**



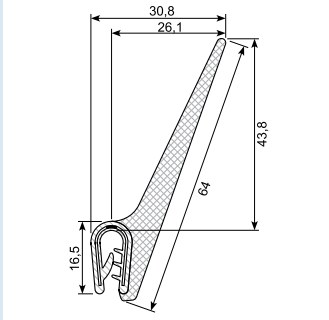
Edge trim: EPDM co-ex, solid lip  
Grip range: 1 - 2,5 mm  
Hardness: SH 70  
Insert: 30 x 0,47 mm steel

**33.460-2C**



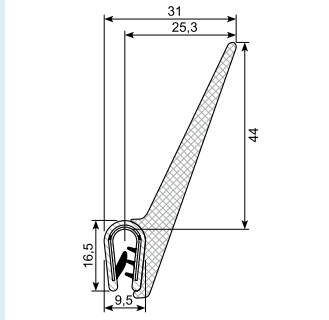
Edge trim: EPDM co-ex  
Grip range: 1 - 2,5 mm  
Hardness: SH 70 / density 0,6  
Insert: 31 x 0,5 mm steel unbroken

**33.460-2F \***



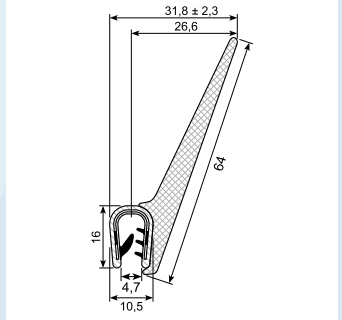
Edge trim: EPDM co-ex  
Grip range: 1 - 2,5 mm  
Hardness: SH 65 / density 0,6  
Insert: 31 x 0,5 mm steel  
**Flame retardant NFF16-101**  
Min. order: 3.000 m

**33.460-2**



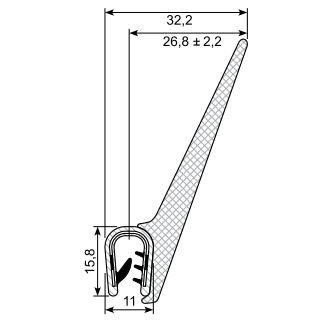
Edge trim: PVC+bi / sponge rubber  
Grip range: 1 - 2,5 mm  
Hardness: SH 78/57 / density 0,6  
Insert: 31 x 0,5 mm steel

**33.460-4**



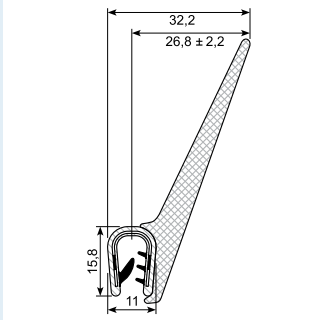
Edge trim: PVC+bi / sponge rubber  
Grip range: 2 - 4 mm  
Hardness: SH 78/57 / density 0,6  
Insert: 31 x 0,5 mm steel

**33.460-6**



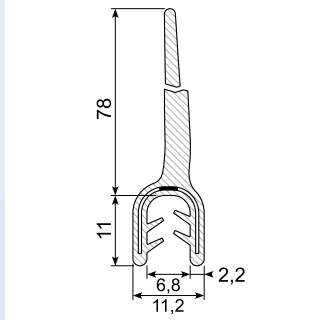
Edge trim: PVC+bi / sponge rubber  
Grip range: 4 - 6 mm 25 m  
Hardness: SH 78/57 / density 0,6  
Insert: 31 x 0,5 mm steel

**33.460-6A**



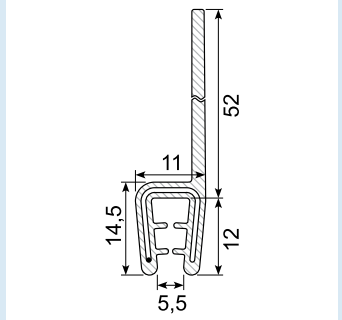
Edge trim: PVC+bi / sponge rubber  
Grip range: 4 - 6 mm 50 m  
Hardness: SH 78/57 / density 0,6  
Insert: 31 x 0,5 mm steel

**33.472**



Edge trim: EPDM solid lip  
Grip range: 2 - 4 mm  
Hardness: SH 70  
Insert: 29 x 0,5 mm unbroken

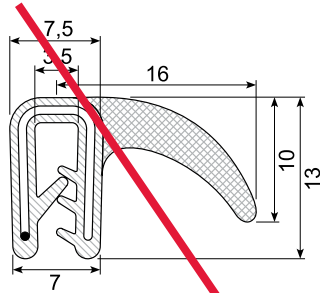
**33.471**



Edge trim: EPDM solid lip  
Grip range: 3 - 4 mm  
Hardness: SH 60 solid lip  
Insert: 29 x 0,76 mm wire

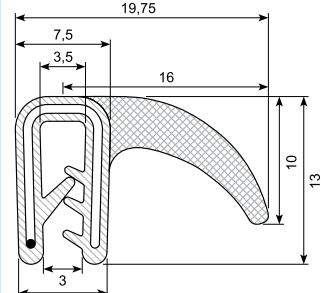
\* Skaffevare / Special order item

**33.443 \* \*\***



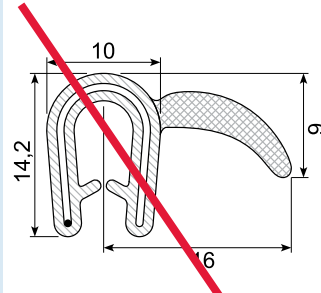
Edge trim: EPDM co-ex  
Grip range: 1 - 2 mm  
Hardness: SH 70 / density 0,55  
Insert: Wire  
Min. order: 5.500 m

**33.443X**



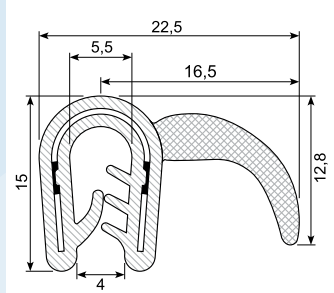
Edge trim: EPDM co-ex  
Grip range: 1 - 2 mm  
Hardness: SH 60 / density 0,6  
Insert: Wire

**33.467 \*\***



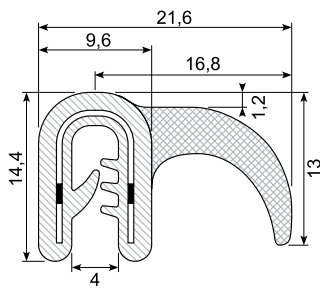
Edge trim: EPDM co-ex  
Grip range: 1,5 - 3,5 mm  
Hardness: SH 70 / density 0,65  
Insert: 29 x 0,76 mm wire  
Min. order: 6.000 m

**33.383**



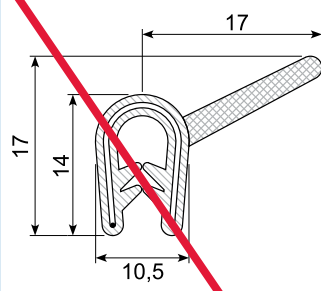
Edge trim: EPDM co-ex  
Grip range: 2 - 4 mm  
Hardness: SH 70 / density 0,6  
Insert: 30 x 0,5 steel

**33.385 \* \*\***



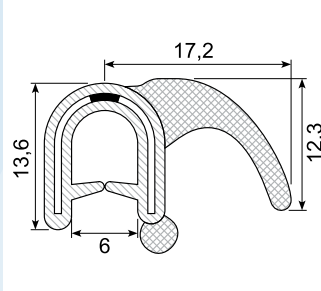
Edge trim: EPDM co-ex  
Grip range: 1 - 2,5 mm  
Hardness: SH 70 / density 0,55  
Insert: 26 x 0,5 steel unbroken  
Min. order: 9.600 m

**33.466 \* \*\***



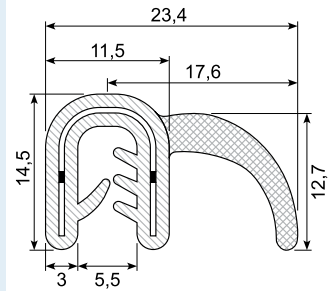
Edge trim: EPDM solid m  
Grip range: 1 - 2,5 mm  
Hardness: SH 60  
Insert: 26 x 0,76 mm wire  
Min. order: 6.000 m

**33.474**



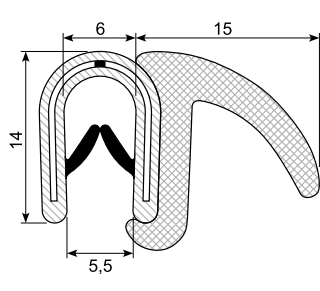
Edge trim: EPDM co-ex  
Grip range: 2 - 5 mm  
Hardness: SH 70 / density 0,6 - 0,85  
Insert: 27 mm steel

**33.384 \***



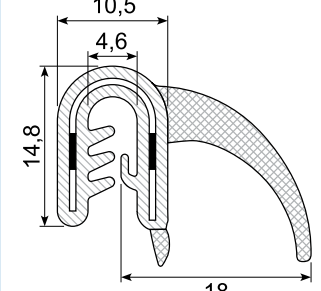
Edge trim: EPDM co-ex  
Grip range: 1,25 - 2 mm  
Hardness: SH 75 / density 0,6  
Insert: 29 x 0,5 mm steel broken  
Min. order: 5.000 m

**33.439A**



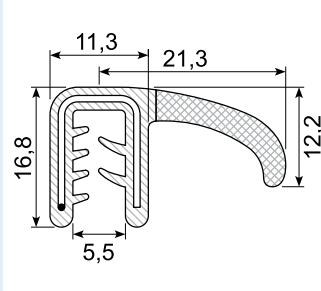
Edge trim: PVC+bi / sponge rubber  
Grip range: 1 - 4 mm  
Hardness: SH 78/57 / density 0,6  
Insert: 26 x 0,5 mm steel  
Yellow lips

**33.026**



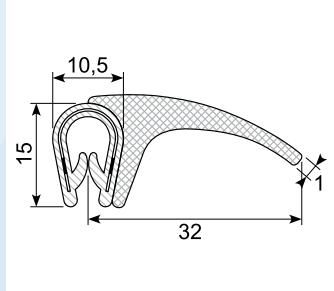
Edge trim: EPDM co-ex  
Grip range: 1,5 - 2 mm (1 - 3,5 mm)  
Hardness: SH 70 / density 0,55  
Insert: 26 x 0,76 mm wire

**33.436**



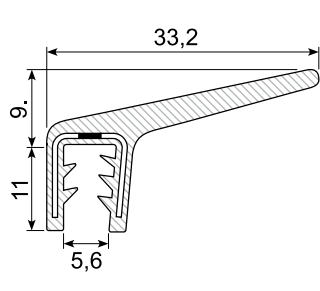
Edge trim: EPDM co-ex  
Grip range: 2 - 4 mm  
Hardness: SH 70 / density 0,6  
Insert: 33 mm wire

**33.442**



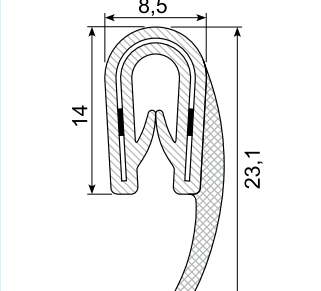
Edge trim: EPDM co-ex  
Grip range: 1 - 3 mm  
Hardness: SH 70 / density 0,65  
Insert: 29 mm steel

**33.473**



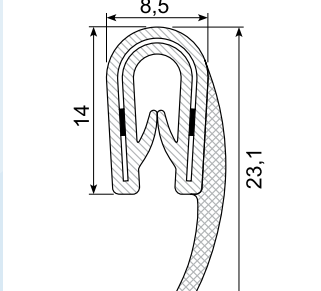
Edge trim: EPDM co-ex  
Grip range: 2 - 5 mm  
Hardness: SH 70  
Insert: 27 x 0,47 mm steel

**33.462 \***



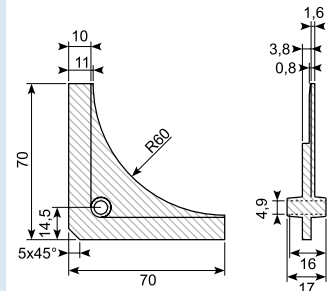
Edge trim: PVC / sponge rubber  
Grip range: 1 - 2,5 mm  
Hardness: SH 78/density 0,65 - 0,75  
Insert: 25 x 0,48 mm steel  
Min. order: 1.000 m

**33.462R**



Edge trim: PVC / sponge rubber  
Grip range: 1 - 2,5 mm  
Hardness: SH 78/density 0,65 - 0,75  
Insert: 25 x 0,48 mm stainless steel

**33.000**



Nylon hjørnestykke  
PA6 + 30% GF  
Sikrer korrekt hjørneradius