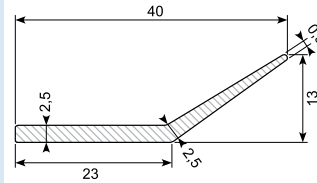


Material: EPDM

| Art. | A (mm) | B (mm) | Hardness | Min. order (m) | Adhesive |
|-----------------------|-----------------|----------------|------------------|----------------|----------|
| 30.29168 | 12 | 1 | SH 65 | 2.000 | X |
| 30.A018615 | 18,6 | 1,5 | SH 65 | | |
| 30.601 * | 65 | 2,5 | SH 65 | 500 | |
| 30.600 | 30 | 3 | SH 65 | | |
| 30.602 | 50 | 3 | SH 65 | | |
| 30.12932-3 * | 50 | 4 | SH 60 | 600 | |
| 30.A02005 | 20 | 5 | SH 65 | | |
| 30.A02505 | 25 | 5 | SH 65 | | |
| 30.A03305 | 33 | 5 | SH 65 | | |
| 30.A05005 | 50 | 5 | SH 65 | | |
| 30.A06705 | 67 | 5 | SH 65 | | |
| 30.A07505 | 75 | 5 | SH 65 | | |
| 30.A10005 | 100 | 5 | SH 65 | | |
| 30.23464 | 150 | 5 | SH 65 | | X |
| 30.A03006 | 30 | 6 | SH 65 | | |
| 30.A05808 | 58 | 8 | SH 65 | | |
| 30.12932-4 * | 23 | 10 | SH 60 | 500 | |
| 30.A03310 | 33 | 10 | SH 65 | | |
| 30.A05010 | 50 | 10 | SH 65 | | |
| 30.A06710 | 67 | 10 | SH 65 | | |
| 30.A10010 | 100 | 10 | SH 65 | | |

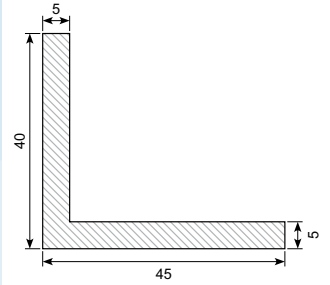
Other sizes can be obtained on request.

30.262S



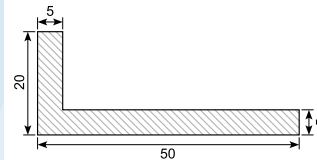
Material: EPDM black
Hardness: SH 65 - 75

30.WI660



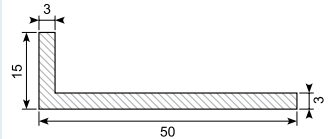
L-profil
Internal: 35 x 40 x 5 mm
External: 40 x 45 x 5 mm

30.WI747



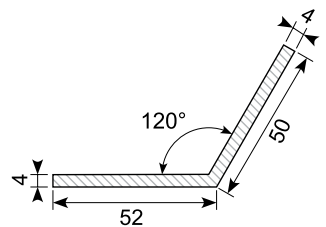
Material: EPDM
Hardness: SH 60

30.9691-2 *



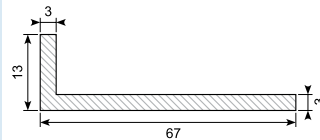
Material: White EPDM
Min. order: 504 m

30.7367



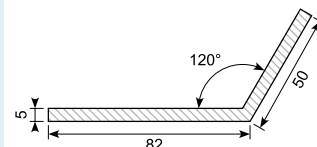
Material: CR black
Hardness: SH 65
Conditional oil resistant

30.9691-5 *



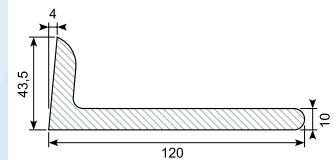
Material: White EPDM
Hardness: SH 65
Min. order: 504 m

30.7696



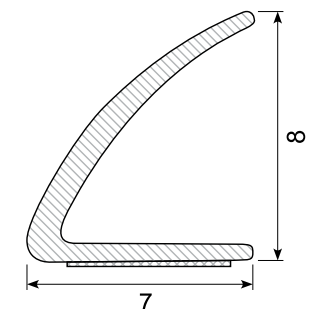
Material: CR black
Hardness: SH 65
Conditional oil resistant

30.12759



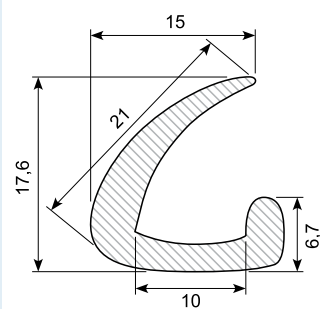
Material: Black EPDM
Hardness: SH 60A

30.OT1024 / 30.OT1024B



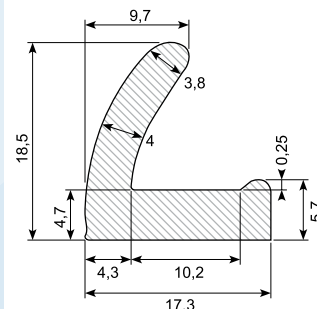
Material: Silicone with adhesive
Hardness: SH 60
30.OT1024 white
30.OT1024B black
30.OT1024KPC transparent

30.216S



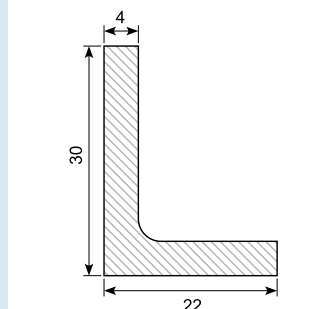
Material: EPDM black
Hardness: SH 65

30.218S



Material: EPDM black
Hardness: SH 75 - 81

30.220L

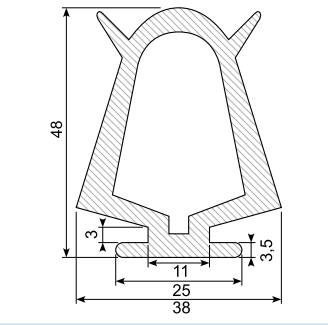


Material: CR black
Hardness: SH 65
Length: 6,5 m
Conditional oil resistant

* Skaffevare / Special order item

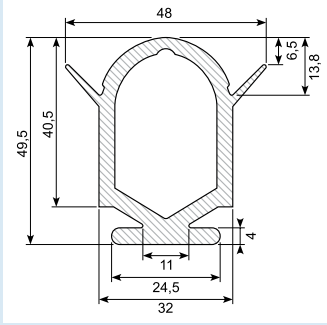
Specialprofiler / Special profiles

30.331



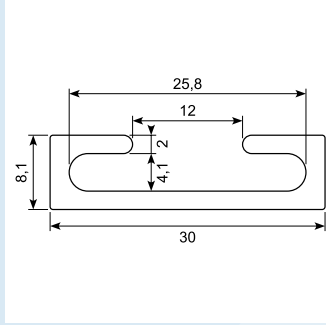
Material: EPDM black
Hardness: SH 70

30.9996-10



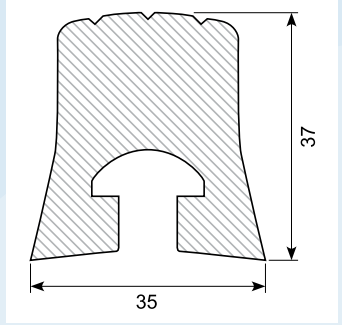
Material: EPDM
Hardness: SH 70

41.675A - 41.674A



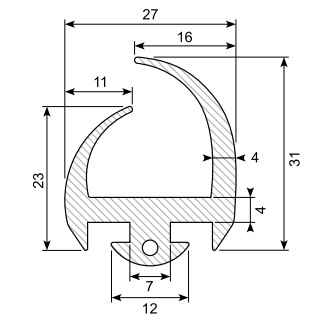
Material: Aluminium
41.675A: 5,2 m, untreated
41.674A: 5 m, anodized

39.1208P



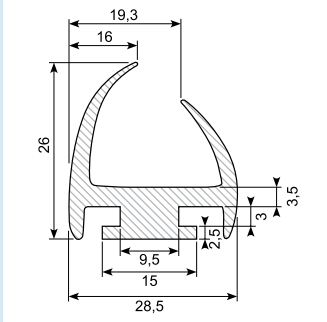
Fender profile with channel
Material: PE
Length: 3 m

30.12957-1 **



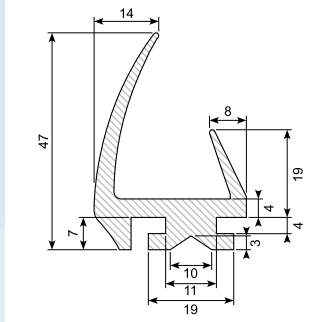
Material: EPDM
Hardness: SH 65
Length: 2,5 m

30.7933



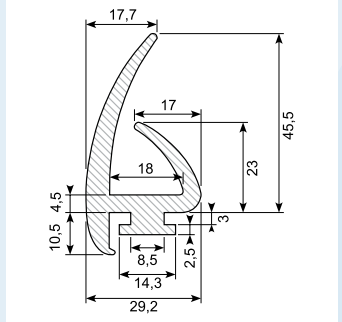
H-profile for aluminium rail
Material: EPDM
Hardness: SH 70

30.12957-2 **



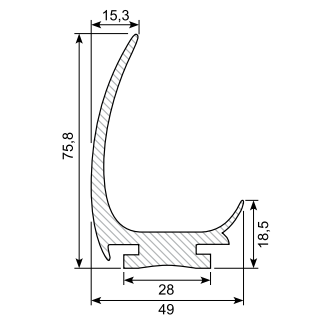
Material: EPDM
Hardness: SH 65
Length: 4,3 m

30.7932



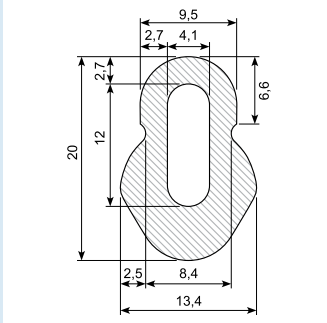
Rubber profile for alu. track
Material: EPDM
Hardness: SH 70

30.7935 **



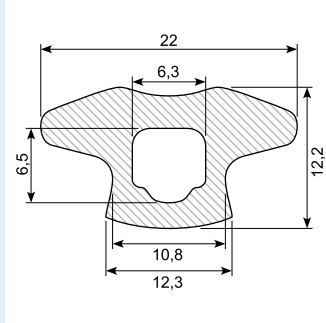
Material: EPDM black
Hardness: SH 65
Length: 2,8 m
Min. order: 120 m

30.7853X



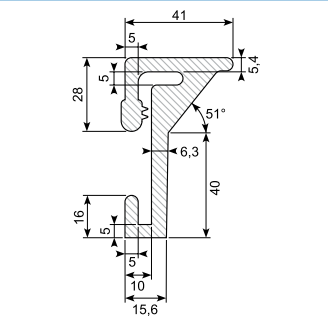
Material: Black EPDM

30.7652



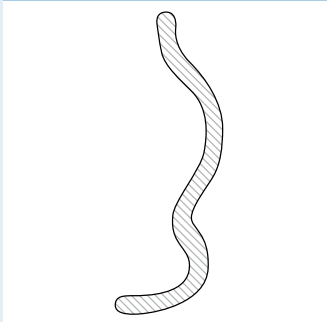
Rubber profile
Material: EPDM
Hardness: SH 65

30.333



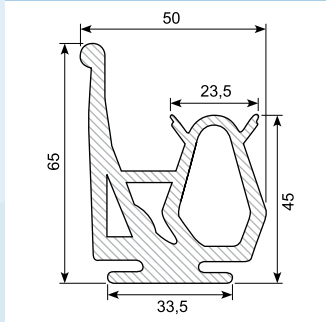
L-profile
Material: EPDM
Hardware: SH 70
Roll of 50 m

41.333S



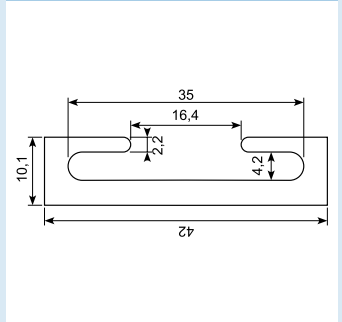
Steel profile for mounting of rubber profile 30.333
Length: 2,6 m

30.8469 *



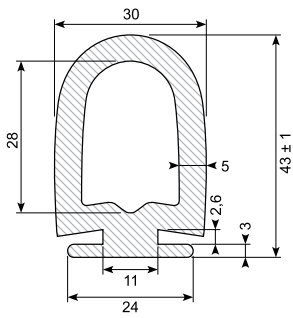
Rubber profile with drip cap
For loading tail board
Material: EPDM
Hardness: SH 67
Length: 8 m
Min. order: 80 m

41.678



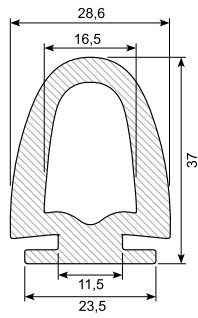
Alu c-profil 42 x 10 mm
Length 5,2 m
Fits to 30.8469

30.325X



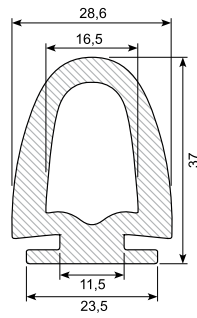
Material: EPDM black
Hardness: SH 65
Length: 5 m

30.324S



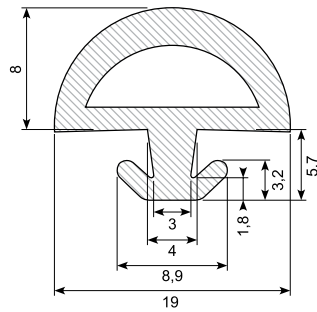
Material: EPDM black
Hardness: SH 65
Length: 5 m

30.324SB



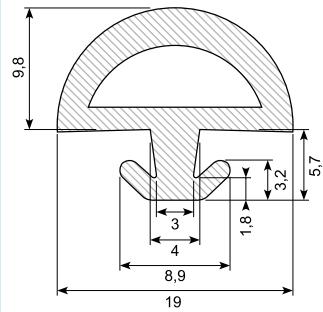
Material: EPDM black
Hardness: SH 45 (soft)
Length: 5 m

30.7649-8 *



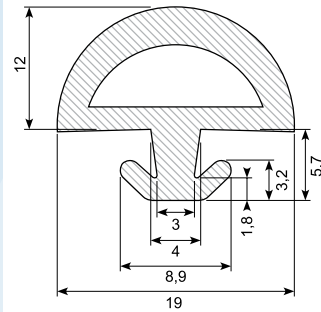
D-weatherstrip
Material: EPDM Black
Hardness: SH 60
Min. order: 1.000 m

30.7649



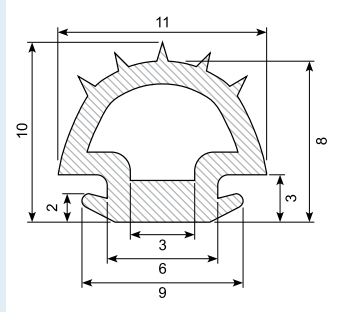
D-weatherstrip
Material: EPDM Black
Hardness: SH 60

30.7649-12 *



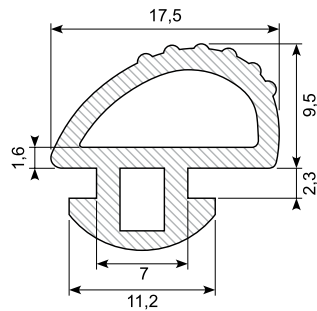
D-weatherstrip
Material: EPDM Black
Hardness: SH 60
Min. order: 1.000 m

30.12957-3



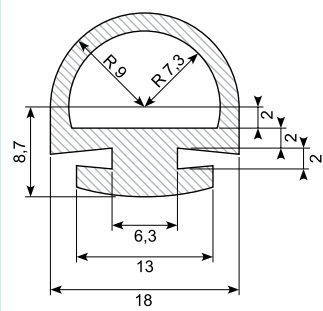
Material: EPDM
Hardness: SH 60

30.14098-2



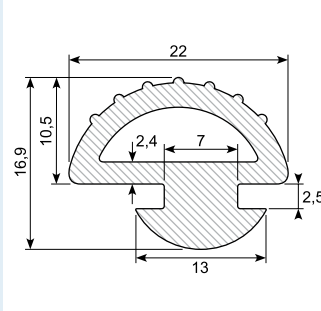
Material: EPDM
Hardness: SH 60A

30.9691-3



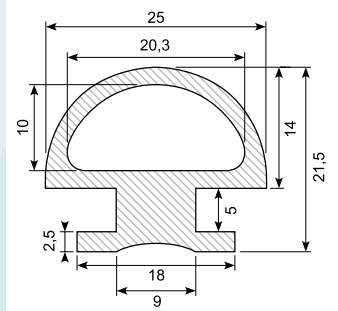
Material: Black EPDM
Hardness: SH 65

30.7650



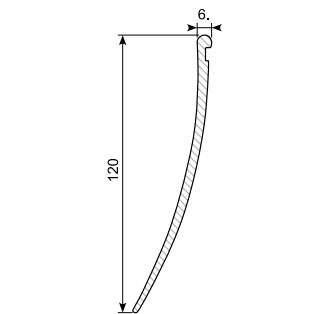
D-weatherstrip
Material: EPDM
Hardness: SH 70

30.5881



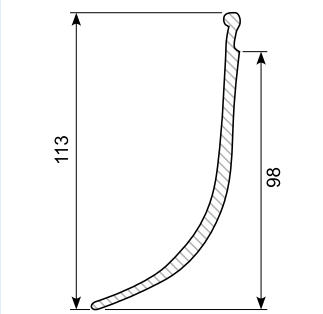
Material: CR black
Hardness: SH 65
Conditional oil resistant

30.2151 *



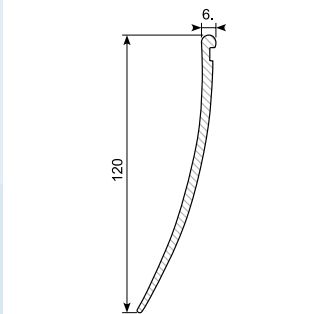
Skirt profile
Hardness: PVC white
Roll of 14 m
Min. order: 560 m

30.6648



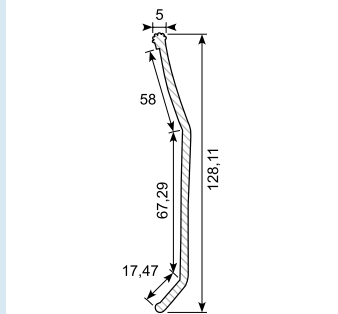
Skirt profile
Hardness: SH 75
30.6648: Black EPDM
30.6648G: Grey TPE
30.6648S: Black TPE

30.2151S *



Material: Black PVC
Hardness: SH 75 - 80
Min. order: 280 m

30.2566

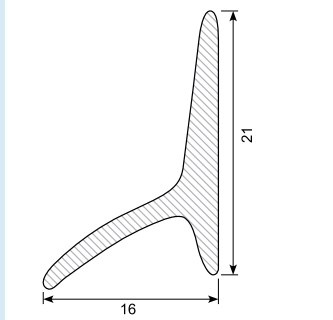


Skirt profile
Material: PVC black
Hardness: SH 80
Height: 125 mm
Length: 1 m
Roll of 64 m

* Skaffevare / Special order item

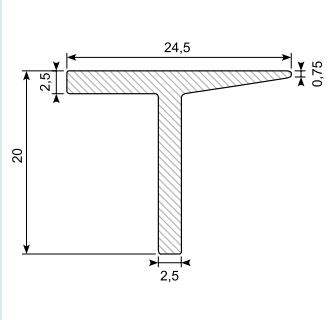
Specialprofiler / Special profiles

30.257S



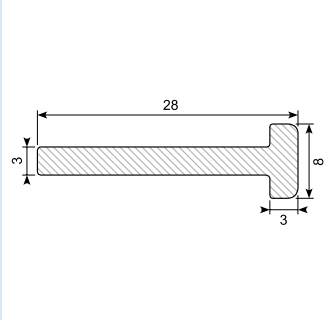
Material: EPDM black
Hardness: SH 65

30.258 *



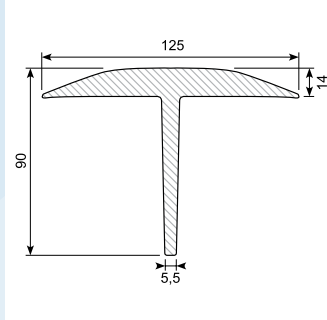
Material: EPDM black

30.5560 *



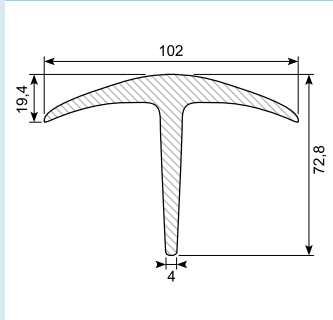
Material: EPDM black
Hardness: SH 65
Min. order: 450 m

30.7780/4



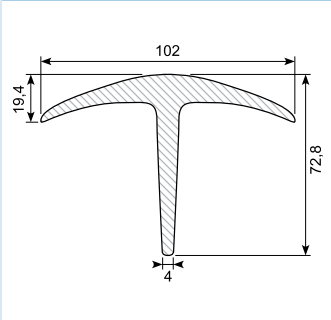
Material: EPDM black
Hardness: SH 65
Length: 4 m

30.7300 - 30.7300/4



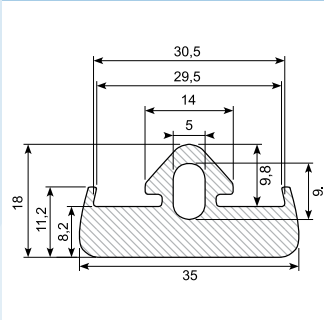
Material: EPDM black
Hardness: SH 65
Length 30.7300: 3 m
Length 30.7300/4: 4 m

30.7300/4Y *



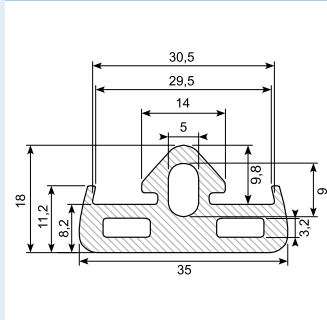
Material: EPDM **yellow**
Hardness: SH 65
Min. order: 64 m

30.6944 *



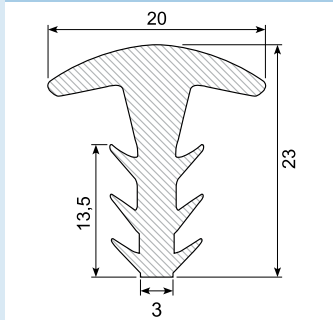
Material: EPDM black
Hardness: SH 65
Min. order: 200 m

30.5550M



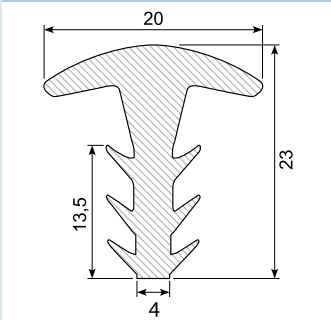
Material: EPDM black
Hardness: SH 65

30.2653 *



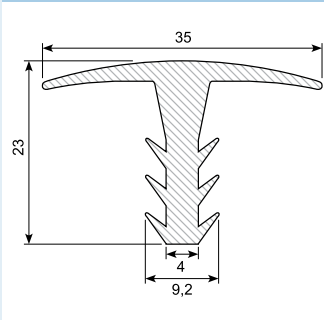
Material: EPDM black
Hardness: SH 65
Min. order: 1.000 m

30.5981



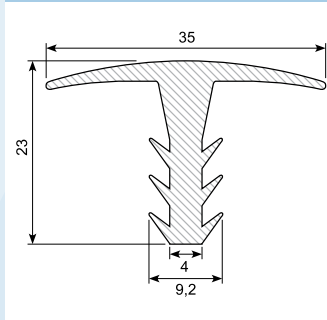
Material: EPDM black
Hardness: SH 65

30.8199



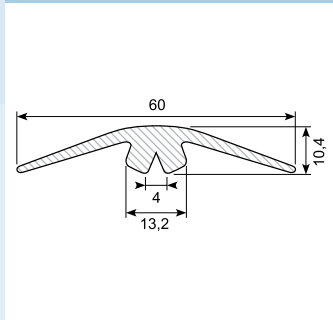
Material: EPDM black
Hardness: SH 65
Length: 4 m

30.8199W



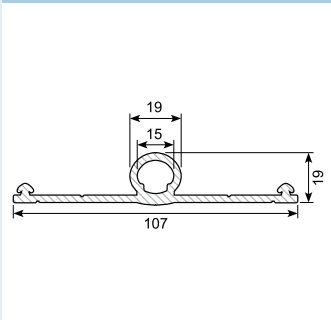
Material: EPDM **white**
Hardness: SH 65
Length: 4 m
Min. order: 223 m

30.6759



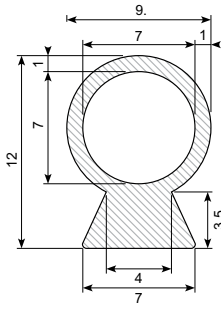
Material: EPDM black
Hardness: SH 65

30.7770 *



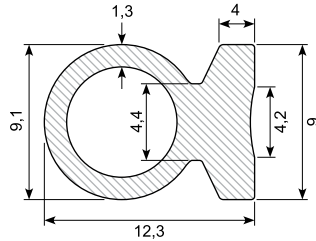
Material: EPDM black
Hardness: SH 65
Min. order: 100 m

30.314S



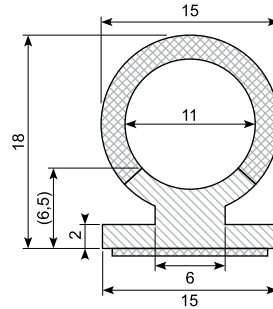
Rubber profile
Material: EPDM
Hardness: SH 60 / 65

30.7651



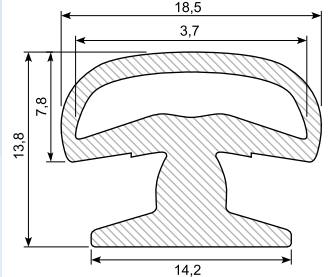
Balloon profile
Material: EPDM
Hardness: SH 65

30.313



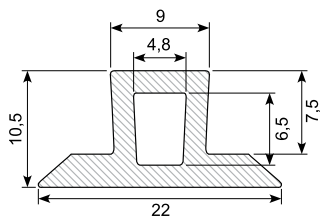
Co-ex profile
Material: EPDM / sponge rubber
Hardness: SH 80

30.7648



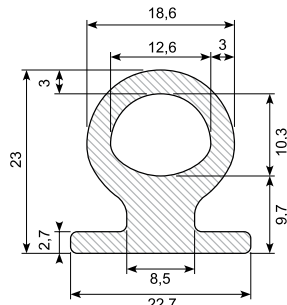
Material: EPDM black
Hardness: SH 65

30.7106 *



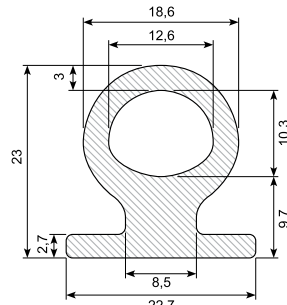
Material: SBR black
Hardness: SH 65
Min. order: 1.000 m

30.315S



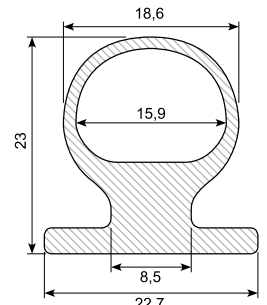
Material: EPDM black
Hardness: SH 65
Length: 10 m
OBS does not fit 41.675A

30.315SB



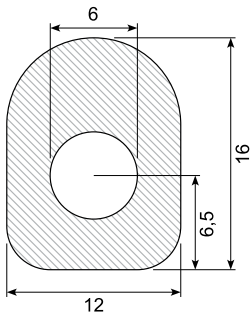
Material: EPDM black
Hardness: SH 45
Length: 10 m
OBS does not fit 41.675A

30.7613 *



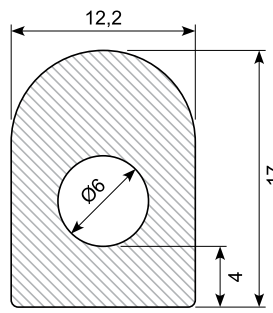
Material: EPDM black
Hardness: SH 60
Min. order: 500 m

30.50967 *



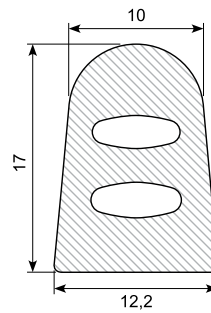
Material: NBR black
Hardness: SH 65
Min. order: 500 m
Oil resistant

30.13841



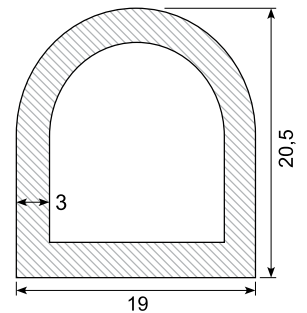
Material: Black NBR
Hardness: SH 45A
Oil resistant

30.14053



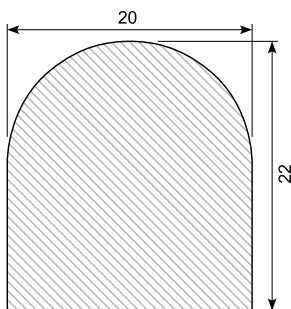
Material: Black NBR
Hardness: SH 50A
Oil resistant

30.OT3354



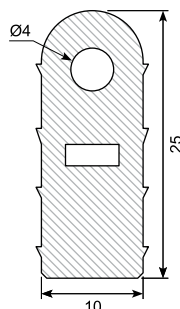
Material: Silicone white
Hardness: SH 60

30.7645 *



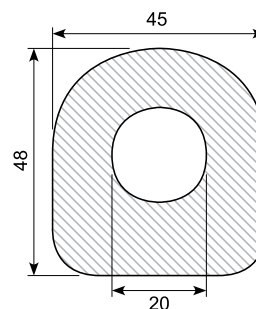
Material: EPDM black
Hardness: SH 45
Min. order: 50 m

30.13421



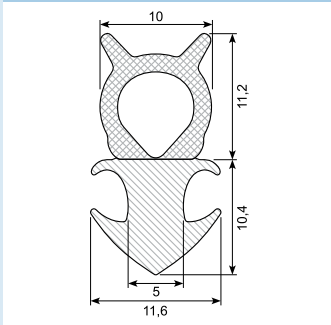
Material: EPDM
Hardness: SH 65

30.7559



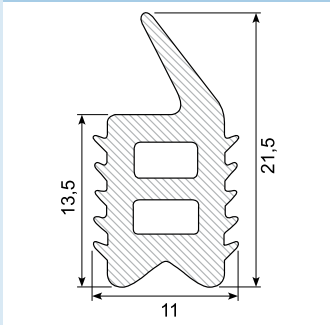
Material: NBR black
Hardness: SH 60
Oil resistant

30.14130



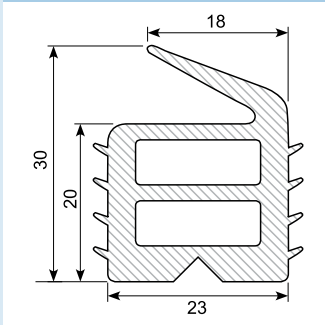
Co-ex profile
Material: EPDM
Hardness: SH 70 / density 85-95

30.190



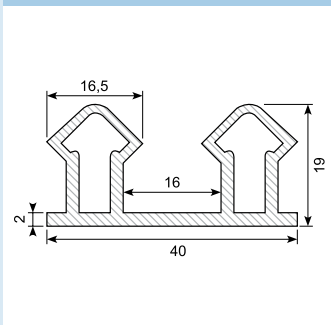
Material: PVC
Hardness: SH 57

30.8270



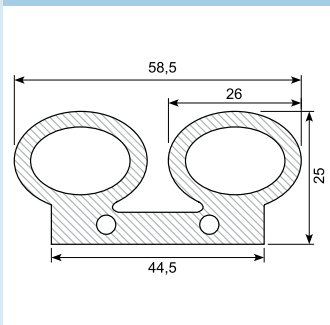
Material: EPDM black
Hardness: SH 57

30.OT1387 *



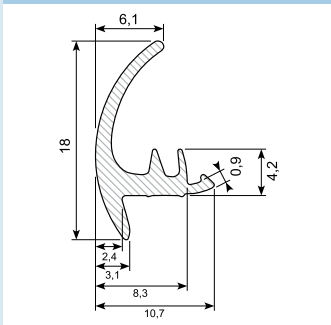
Material: Silicone grey
Hardness: SH 60
Min. order: 40 m

30.OT3272 *



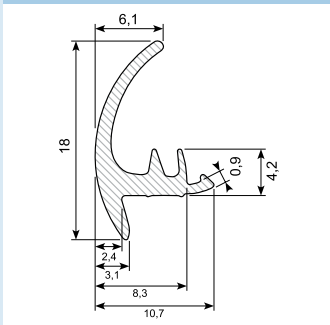
Material: Silicone blue
Hardness: SH 60
Min. order: 50 m

32.8518



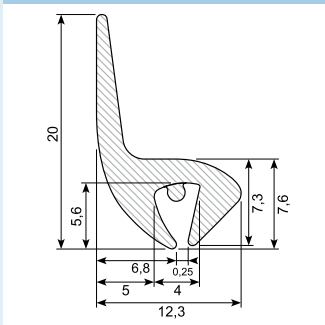
End-stop profile
Material: EPDM
Hardness: SH 65
Roll of 50 m

32.8518W *



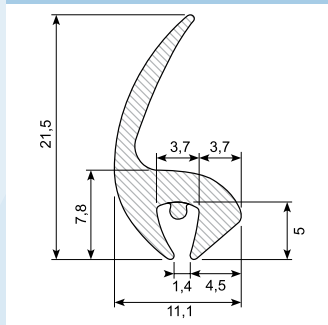
Color: White, RAL 9003
Material: EPDM
Hardness: SH 60
Min. order: 1.500 m

32.8516



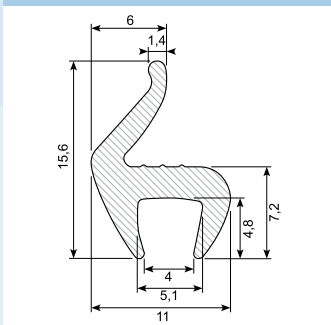
End-stop profile
Material: EPDM
Hardness: SH 65
Roll of 50 m

32.8517



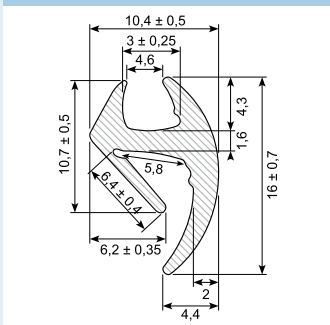
End-stop profile
Material: EPDM
Hardness: SH 65
Roll of 50 m

32.8520



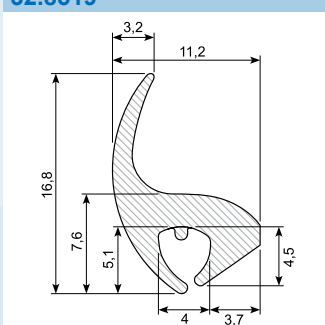
Universal end-stop profile
Material: EPDM
Hardness: SH 65
Roll of 50 m

31.369



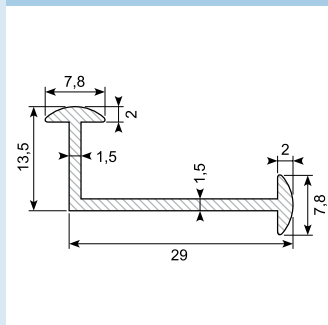
End-stop profile
Material: EPDM black
Hardness: SH 65

32.8519



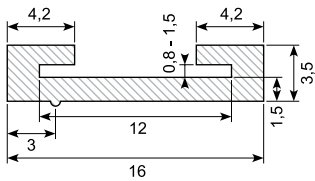
End-stop profile
Material: EPDM
Hardness: SH 65
Roll of 50 m

30.12553-2



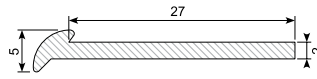
Material: Black EPDM
Hardness: SH 60A

30.798



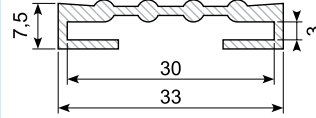
Material: EPDM black
Hardness: SH 65

30.14163-1



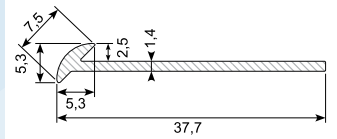
Material: EPDM
Hardness: SH 65

30.144



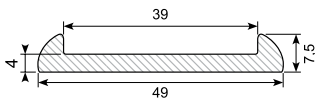
Material: EPDM black
Hardness: SH 60

30.5179



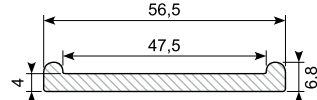
Material: EPDM

30.141



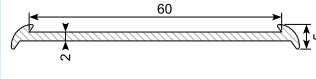
Material: EPDM
Hardness: SH 60

30.142S



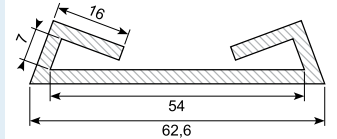
Material: EPDM black
Hardness: SH 65

30.14163



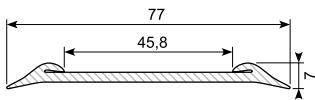
Material: EPDM
Hardness: SH 65

30.8331



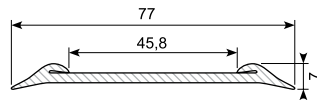
Material: EPDM black
Hardness: SH 65

30.145W *



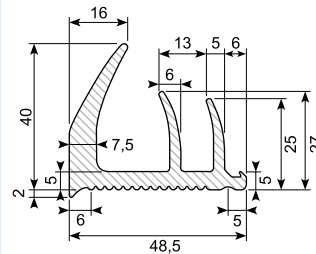
Material: EPDM white
Hardness: SH 65
Min. order: 300 m

30.145 *



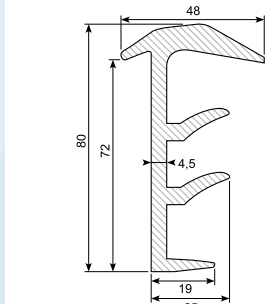
Material: EPDM black
Hardness: SH 70
Min. order: 200 m

30.13447-8 *



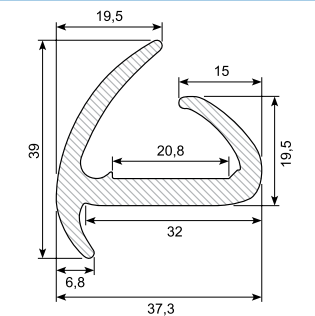
Container profile
Material: EPDM
Hardness: SH 70
Length: 2,5 m
Min. order: 500 m

54.710290 *



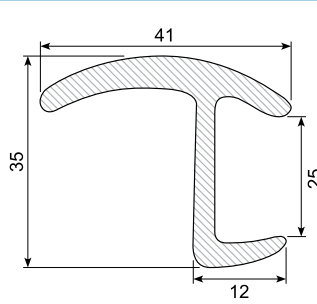
Material: EPDM black
Hardness: SH 65
Length: 10 m
Min. order: 10 m

30.7663



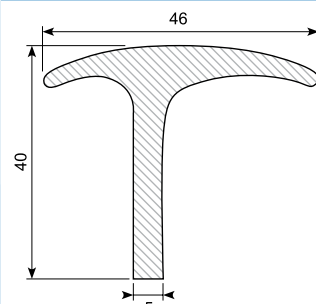
Material: EPDM black
Hardness: SH 65
Length: 5 m

30.340



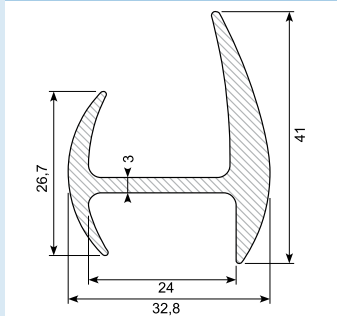
Material: EPDM black
Hardness: SH 50
Length: 3 m

30.2438



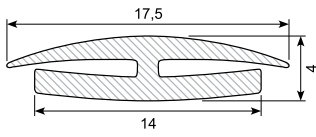
Material: EPDM black
Hardness: SH 65
Length: 2,2 m

30.4437 *



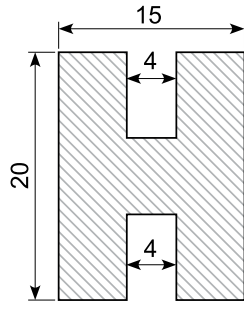
Material: Black EPDM
Hardness: SH 60
Min. order: 85 m

30.7411



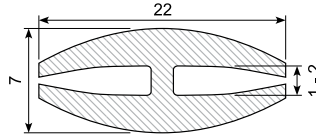
Material: EPDM black
Hardness: SH 65
Grip range: 1 - 1,5 mm

30.13062 *



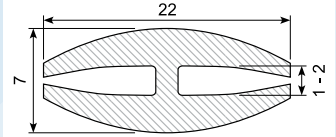
Material: EPDM
Hardness: SH 65
Min. order: 500 m

34.7528-2H *



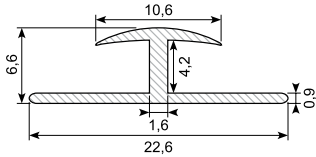
Material: PVC white
Min. order: 250 m

34.7528-2



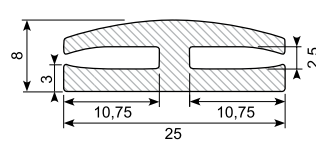
Material: PVC grey

34.3546



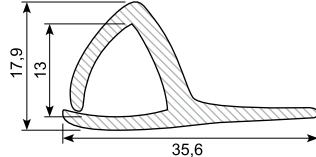
Material: White PVC

30.762



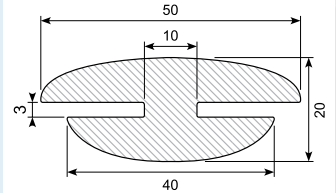
Material: EPDM black
Hardness: SH 65

31.072



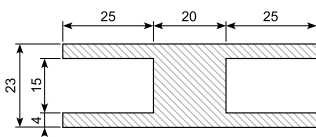
Material: EPDM black
Hardness: SH 65

30.7266 *



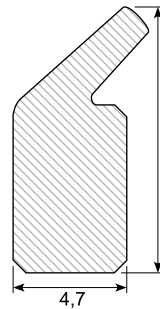
Material: EPDM black
Hardness: SH 65
Min. order: 50 m

30.12932-2 *



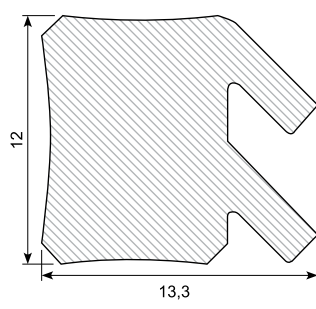
Material: Black EPDM
Hardness: SH 60
Min. order: 400 m

30.29300-130 *



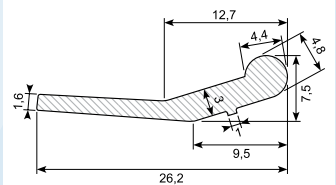
Material: CR black
Hardness: SH 65
Min. order: 100 m
Conditional oil resistant

30.29300-129 *



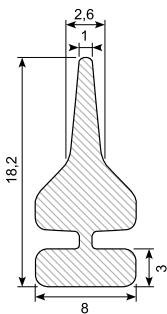
Material: Black CR
Hardness: SH 65
Min. order: 300 m
Conditional oil resistant

30.16688



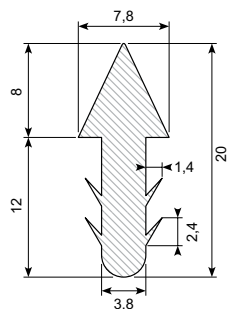
Material: EPDM
Hardness: SH 70

30.7811 *



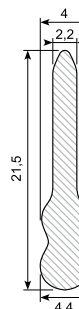
Material: EPDM black
Hardness: SH 60
Min. order: 1.500 m

30.11905



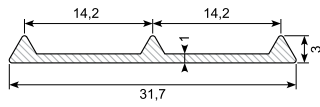
Material: Black silicone
Hardness: SH 50

30.7249 *



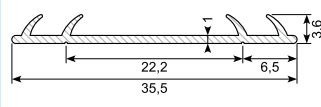
Material: CR black
Hardness: SH 70
Min. order: 500 m
Conditional oil resistant

30.13049-4



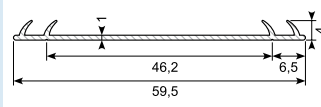
Material: Black EPDM
Hardness: SH 60A

30.13049-2 *



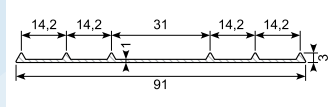
Material: EPDM
Hardness: SH 60A
Min. order: 5.000 m

30.13049-1 *



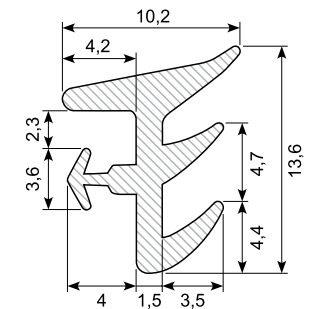
Material: EPDM
Hardness: SH 60A
Min. order: 4.000 m

30.13049-5 *



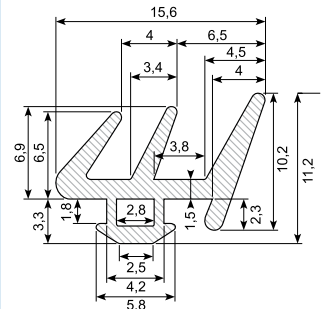
Material: Black EPDM
Hardness: SH 60A
Min. order: 2.000 m

30.4469



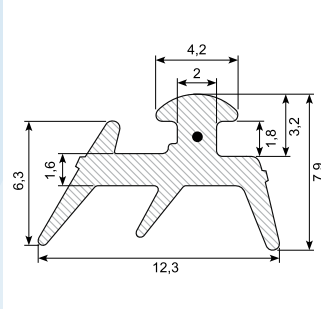
Material: EPDM
Hardness: SH 60
Coated with silicone

30.10485



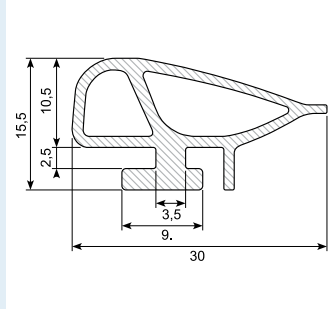
Material: EPDM
Coated with silicone

30.9387-2 *



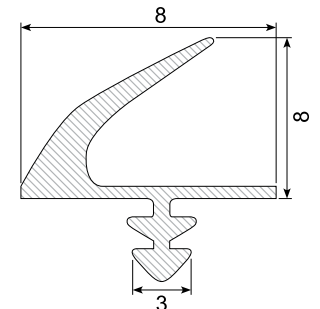
Material: EPDM
Min. order: 5.000 m
With internal cord

30.13796 *



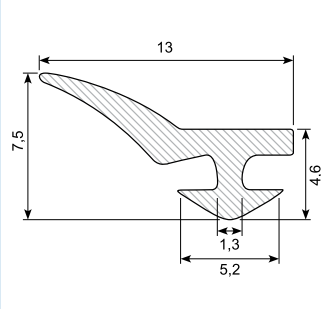
Material: Black EPDM
Hardness: SH 75A
Min. order: 1.000 m

30.OT1092 *



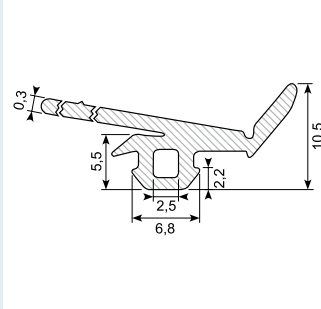
Material: Silicone **white**
Min. order: 300 m

31.702 *



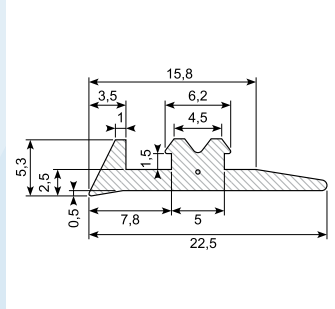
Material: EPDM black
Hardness: SH 70
Conditional oil resistant
Min. order: 2.000 m

30.7507 *



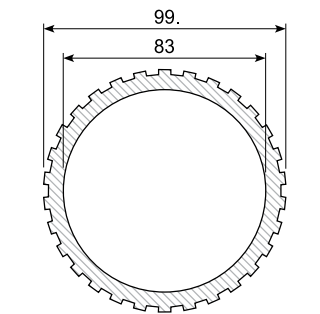
Material: EPDM black
Hardness: SH 65
Min. order: 1.000 m

30.10461-2



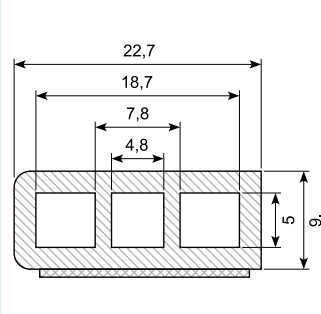
Material: EPDM with cord

30.7845 *



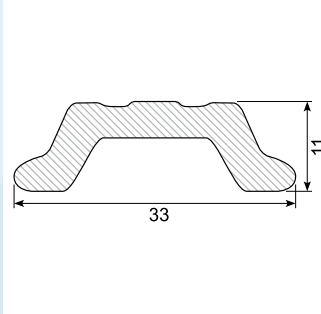
Material: SBR black
Hardness: SH 70
Min. order: 51 m

30.16977



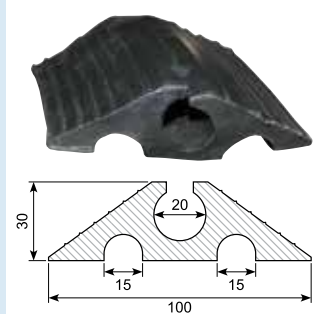
Material: **White** PVC hard
with adhesive

30.5596 *



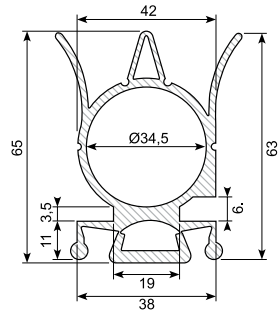
Material: EPDM black
Hardness: SH 65
Min. order: 500 m

52.PP106



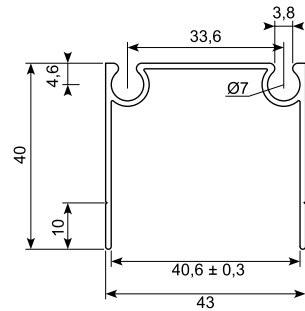
Material: NR / SBR
Cable transmission. Roll 9 m

30.13503



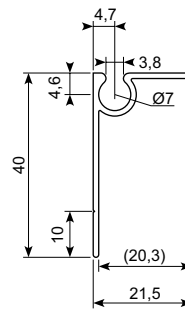
Material: Black EPDM
Hardness: SH 60A
For track [41.13459](#)

41.13459



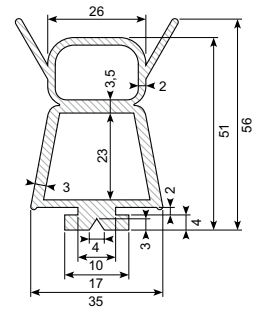
Aluprofile for gate
Anodized surface. Length 6 m.
Calculated weight 479 g/m.
For profile: [30.13503](#)

41.13459X *



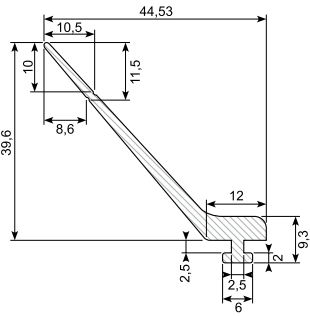
1/2 aluprofile for gate 21.5 x 40 mm
Anodized surface. Length 6 m.
Calculated weight: 239 g/m
For profile: [30.13503](#)

30.9215



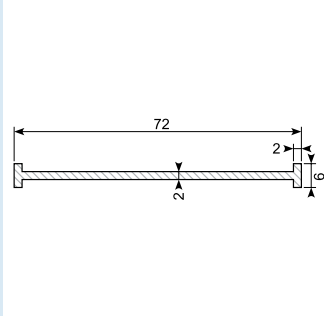
Material: EPDM
Hardness: SH 65 - 70

30.9826-1



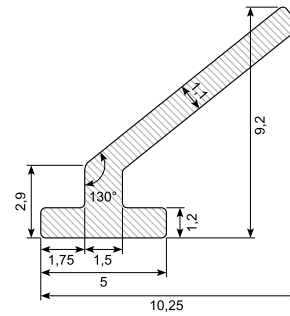
Material: EPDM
Hardness: SH 70

30.9826-2



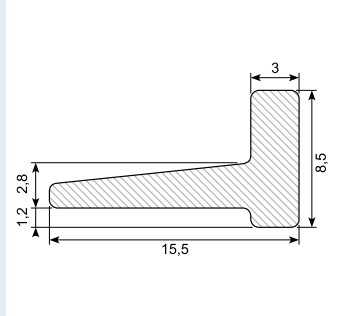
Material: EPDM
Hardness: SH 70

30.10036



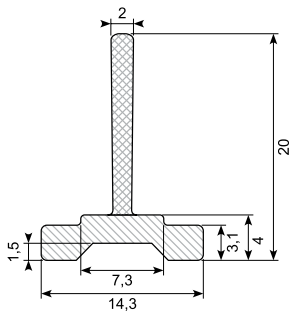
Material: EPDM
Hardness: SH 70

30.9996-6



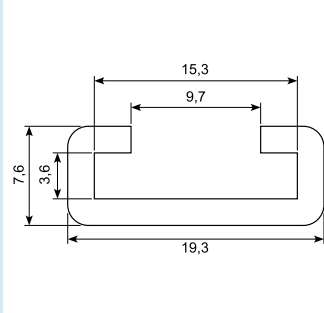
Material: EPDM
Hardness: SH 60

30.13242



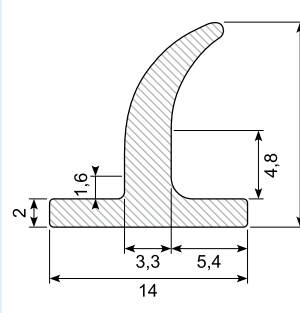
Material: Co-ex EPDM
Hardness: SH 85 / 62
Length: 3.000 mm
(Rail see [41.670](#))

41.670



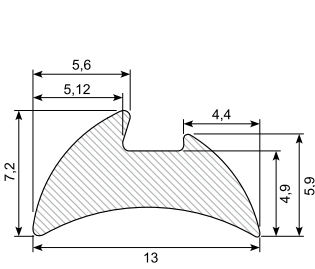
Elekeret alu.
3 m med montagehuller.
Ø4 hver 200 mm.
Til profil [30.13242](#)

30.16239



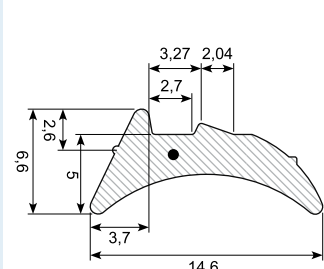
Material: EPDM
Hardness: SH 70

30.9996-5



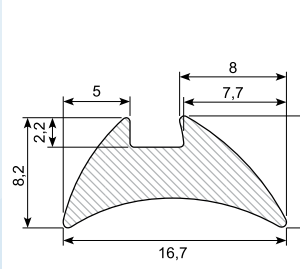
Material: EPDM
Hardness: SH 70

30.9387-1



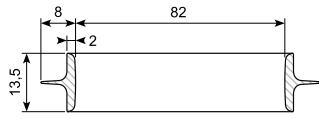
Material: EPDM
Hardness: SH 70
With cord

30.9996-4



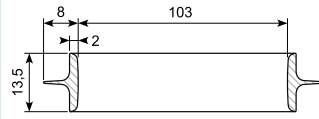
Material: EPDM
Hardness: SH 70

30.9437-100



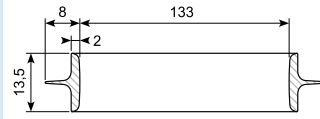
Ventilation ring
Material: Black EPDM
Hardness: SH 60 - 65

30.9437-125



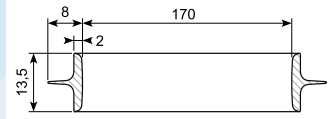
Ventilation ring
Material: Black EPDM
Hardness: SH 60 - 65

30.9437-160



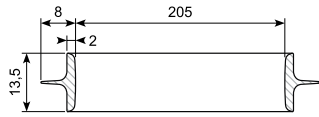
Ventilation ring
Material: Black EPDM
Hardness: SH 60 - 65

30.9437-200



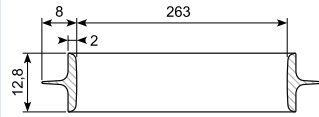
Ventilation ring
Material: Black EPDM
Hardness: SH 60 - 65

30.9437-250



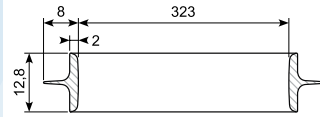
Ventilation ring
Material: Black EPDM
Hardness: SH 60 - 65

30.9437-315



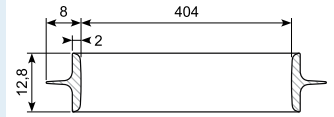
Ventilation ring
Material: Black EPDM
Hardness: SH 60 - 65

30.9437-400



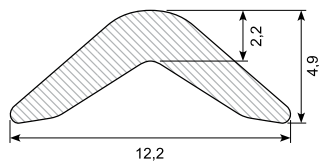
Ventilation ring
Material: Black EPDM
Hardness: SH 60 - 65

30.9437-500



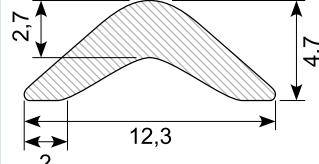
Ventilation ring
Material: Black EPDM
Hardness: SH 60 - 65

45.205S / 45.205SX



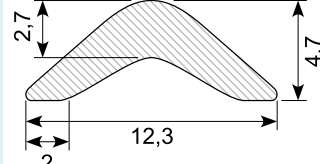
Material: Silver grey PVC

45.209BX



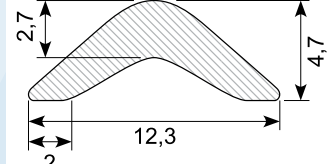
Material: Black PVC

45.210B / 45.210BX



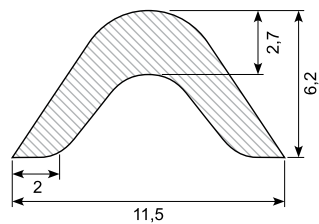
Material: White PVC

45.210C / 45.210CX



Material: Off white PVC

45.208



Material: Blue PVC