

Fine flow rate adjusting valve Series

Achieves stable fine flow rate adjustment
by separating the flow rate adjuster from the valve open/close function



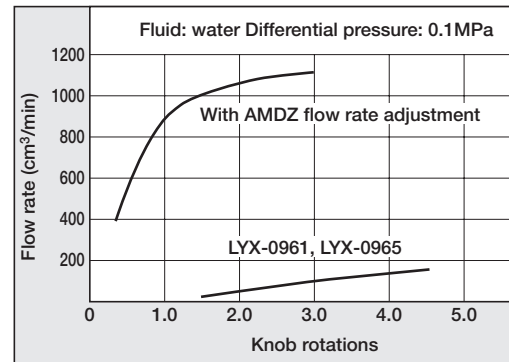
Specifications

Descriptions	LYX-0961-*, LYX-0965-*
Working fluid	Chemical liquids/pure water (Note 1)
Fluid temperature °C	5 to 60
Proof pressure MPa	0.6
Working pressure MPa	0 to 0.3
Ambient temperature °C	0 to 60
Mounting orientation	Unrestricted

Note 1: Cannot be used for oxidizing fluids.
Before use, check the compatibility of the product structural materials with the working fluids and ambient atmosphere.
Note 2: Refer to AMDZ on page 18 for the specifications of the air operated valve.

Flow characteristics/pressure characteristics

Comparison of flow rate characteristics



How to order

LYX - **0961** - **6BUS** - **1**

A Type

B Connection

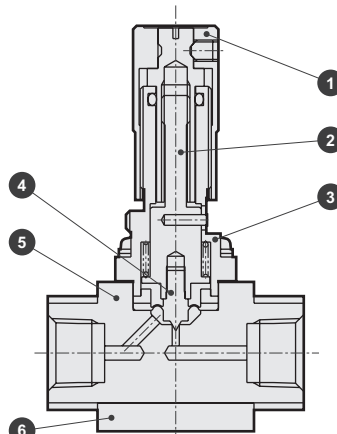
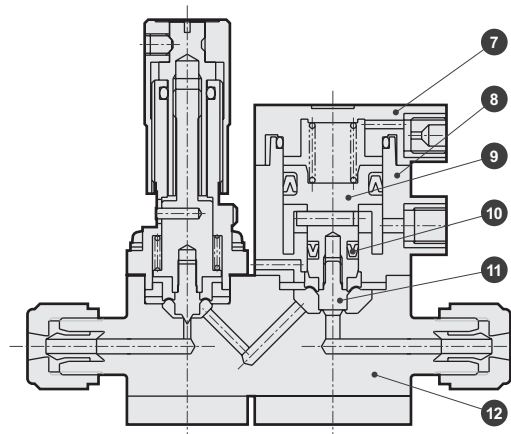
C Actuation
(Select only
LYX-0961)

A Type		
0961	Air operated valve integrated type	
0965	Fine flow rate adjusting valve only (no open and close function)	
B Connection		
6	Rc1/8	
3US	Super-type Pillar fitting integrated type	φ3 x φ2 tube connection
6BUS		1/8" x 0.086" tube connection
3UP	Super 300 type Pillar fitting P Series	φ3 x φ2 tube connection
6BUP		1/8" x 0.086" tube connection
3UF	F-LOCK 20 Series fitting integrated type	φ3 x φ2 tube connection
3UR	F-LOCK 60 Series fitting integrated type	φ3 x φ2 tube connection
6BUR		1/8" x 1/16" tube connection
C Actuation		
1	NC (normally closed)	
2	NO (normally open)	
3	Double acting	

Internal structure and parts list

● LYX-0961

● LYX-0965



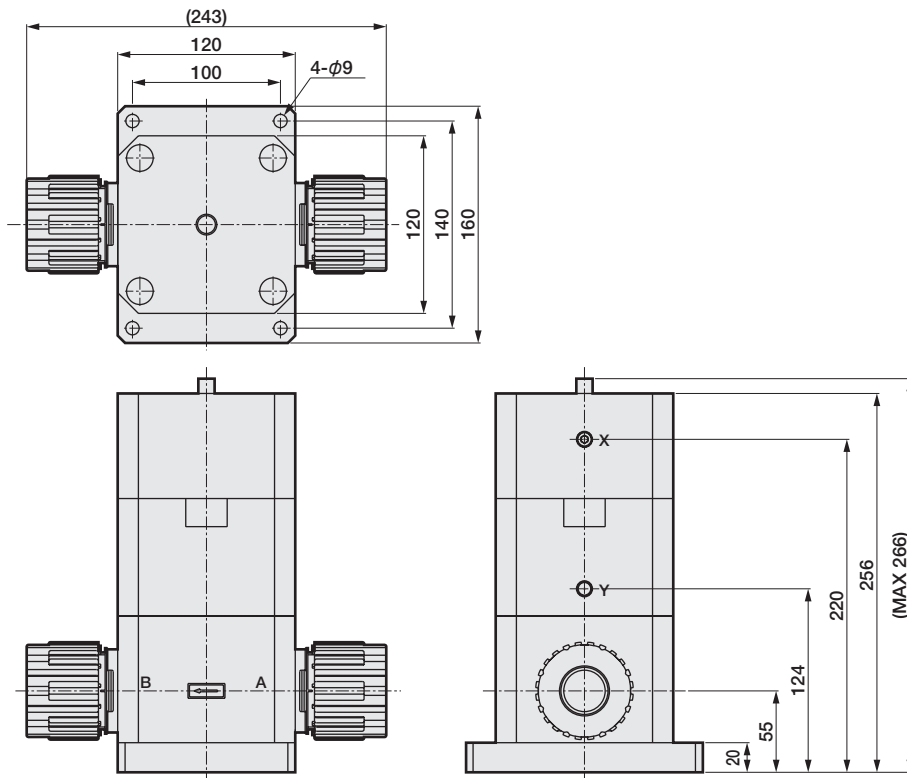
No.	Part name	Material
1	Adjusting knob	A5056
2	Lower rod	SUS304
3	Needle cover	SUS304
4	Diaphragm	PTFE
5	Body	PTFE
6	Mounting plate	SUS304
7	Cover	PPS
8	Cylinder	PPS
9	Piston rod	SUS303
10	Y packing	NBR
11	Diaphragm	PTFE
12	Body	PTFE

The material and structure may differ depending on the model number. Contact CKD for details.

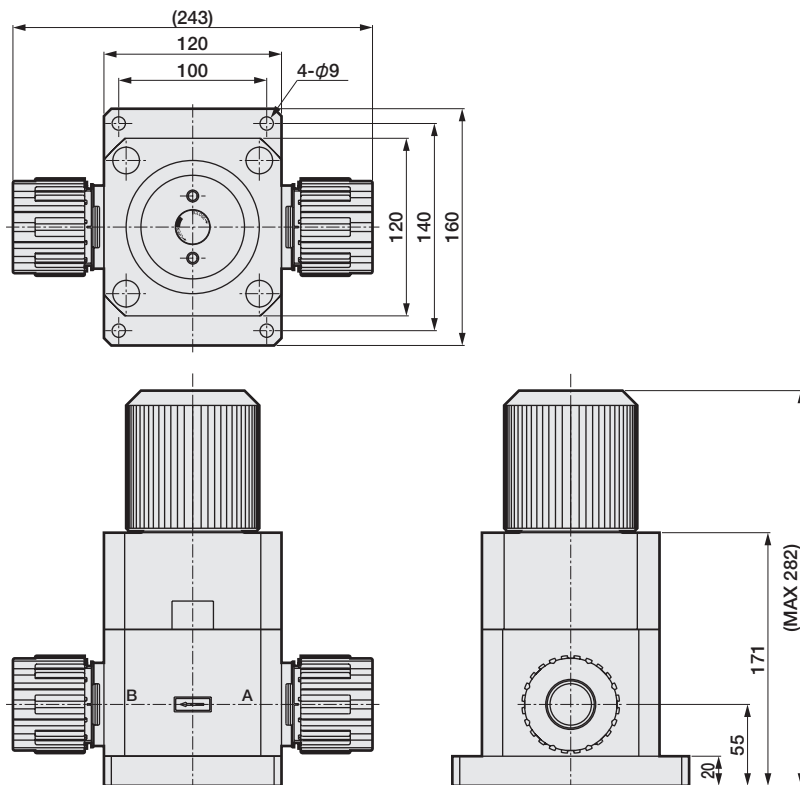
⚠ Be sure to read the usage precautions on Intro Pages 7 to 16.

Dimensions

● Air operated valve



● Manual valve



AMD ² 3R
AMD ³ 3R
AMD ⁰ Z
AMD ⁰ 2
AMD ³ *2
AMD ⁴ *2
AMD ⁵ *2
AMD*1H
AMD*1M
AMG203R
AMG303R
AMG00
AMGZ0
AMG*02
GAMD ² 3R
GAMD ³ 3R
GAMD ⁰ *2A
GAMD ^{**} 2
High pressure specifications
AMD
For parameters
MMD*02
MMD*0H
MMD*0M
GMMD*02
MMD*0
TMD*02
FMD00
MNV
AMS
AMDS
Fine regulator
KML
Others
Related



Air operated valve for chemical liquids

Drainage valve (2-port valve) Series

● Orifice sizes: $\phi 25/\phi 32/\phi 40/\phi 50/\phi 65/\phi 75/\phi 100$

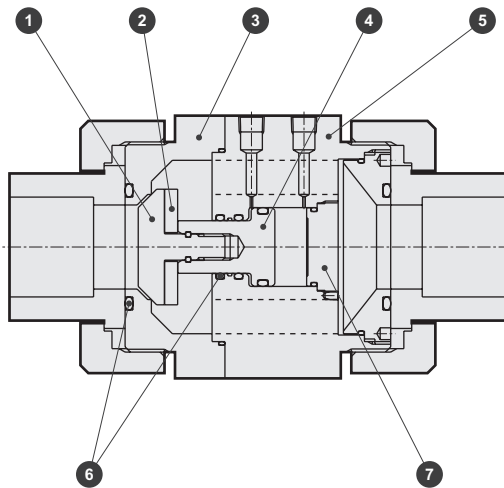
Specifications

Descriptions		LYX-0877	LYX-0878	LYX-0879	LYX-0880	LYX-1451	LYX-1452	LYX-1453	LYX-1454
Working fluid		Chemical liquids/pure water (Note 1)							
Fluid temperature	°C	5 to 90°C				5 to 50°C		5 to 80°C	
Proof pressure	MPa	0.1							
Working pressure	MPa	0.02							
Valve seat leakage	cm ³ /min	0 (water pressure)							
Ambient temperature	°C	0 to 40							
Frequency		6 times/min. or less							
Mounting orientation		Unrestricted							
Connection		PVC union fitting integrated type						JIS 5K flange type	
Port size		25	30	40	50	65	75	80	100
Orifice size		$\phi 25$	$\phi 32$	$\phi 40$	$\phi 50$	$\phi 65$	$\phi 78$	$\phi 78$	$\phi 100$
Operating section	Operating pressure	0.4 to 0.5							
	Operating port	Rc1/8							

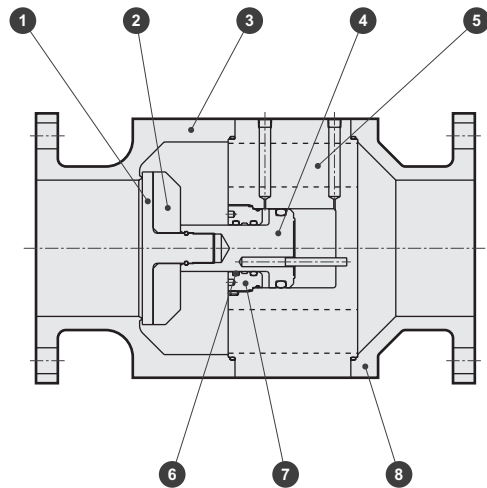
Note 1: Check the compatibility of product structural materials with the working fluids and ambient atmosphere.

Internal structure and parts list

● LYX-0878



● LYX-1454



No.	Part name	Material (by O-ring material)	
		A	I
1	Main valve	PTFE	
2	Spacer	PP	
3	Body	PP	
4	Piston rod	PP	
5	Cylinder	PP	
6	O-ring	EPDM	FKM
7	Cylinder cap	PP	
8	OUT port	PP	

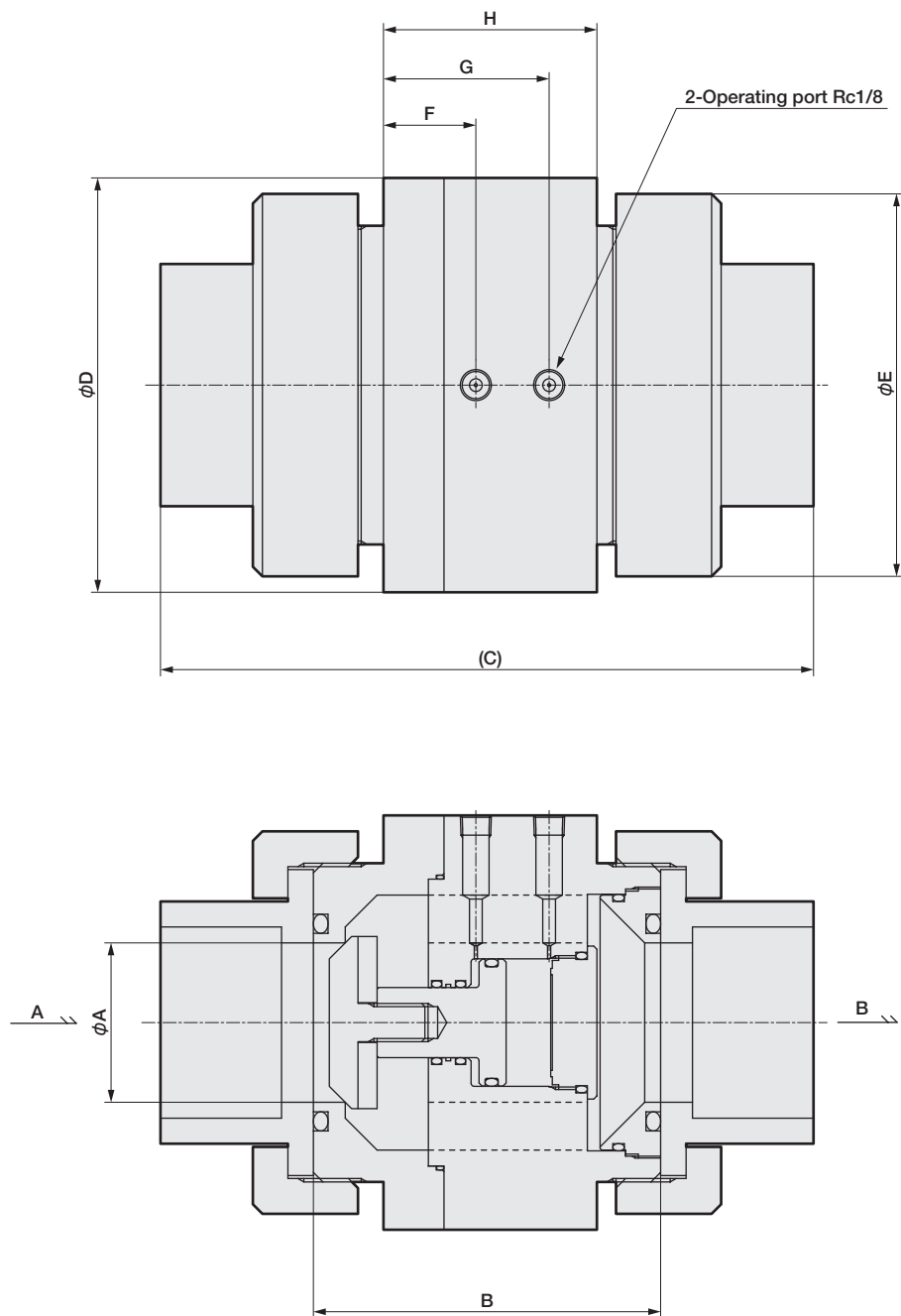
The material and structure may differ depending on the model number. Contact CKD for details.

Be sure to read the usage precautions on Intro Pages 7 to 16.

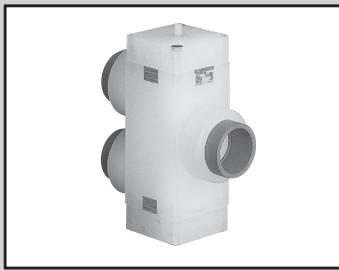
Drainage valve (2-port valve)

Dimensions

- PVC union fitting integrated type



Dimensions	A	B	C	D	E	F	G	H
Model No.								
LYX-0877-25AU	25	75	147	76	70	18	32	45
LYX-0878-32AU	32	101	189	100	96	29	49	63
LYX-0879-40AU	40	101	183	100	96	29	49	63
LYX-0880-50AU	50	109	205	130	120	29	52	67
LYX-1451-65AU	65	170	310	160	154	61.5	95	110
LYX-1452-75AU	78	175	320	170	164	61	99	115



Air operated valve for chemical liquids

Drainage valve (3-port valve) Series

● Orifice sizes: $\phi 32/\phi 40/\phi 50$

Specifications

Descriptions		LYX-0882	LYX-0883	LYX-0884
Working fluid		Chemical liquids/pure water (Note 1)		
Fluid temperature	°C	5 to 90		
Proof pressure	MPa	0.1		
Working pressure	MPa	0.02		
Valve seat leakage	cm ³ /min	0 (water pressure)		
Ambient temperature	°C	0 to 40		
Frequency		6 times/min. or less		
Mounting orientation		Unrestricted		
Port size (PVC union fitting integrated type)		Nominal 30	Nominal 40	Nominal 50
Orifice size		$\phi 32$	$\phi 40$	$\phi 50$
Operating section	Operating pressure	MPa 0.4 to 0.5		
	Operating port	Rc1/8		

Note 1: Check the compatibility of product structural materials with the working fluids and ambient atmosphere.

How to order

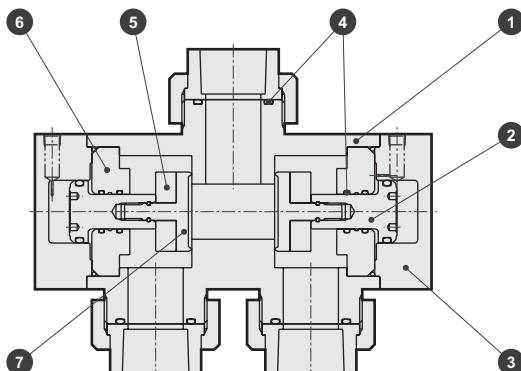
LYX - **0882-32AU** - 3P **A**

A Connection **B** O-ring material

		A Connection		
		0882-32AU	0883-40AU	0884-50AU
		PVC union fitting		
		Nominal 30	Nominal 40	Nominal 50
Code	Content	Orifice size $\phi 32$	Orifice size $\phi 40$	Orifice size $\phi 50$
B O-ring material				
A	EPDM	●	●	●
I	FKM	●	●	●

Internal structure and parts list

● LYX-0882



No.	Part name	Material (by O-ring material)	
		A	I
1	Body	PP	
2	Piston rod	PP	
3	Cylinder	PP	
4	O-ring	EPDM	FKM
5	Spacer	PP	
6	Cylinder adaptor	PP	
7	Main valve	PTFE	

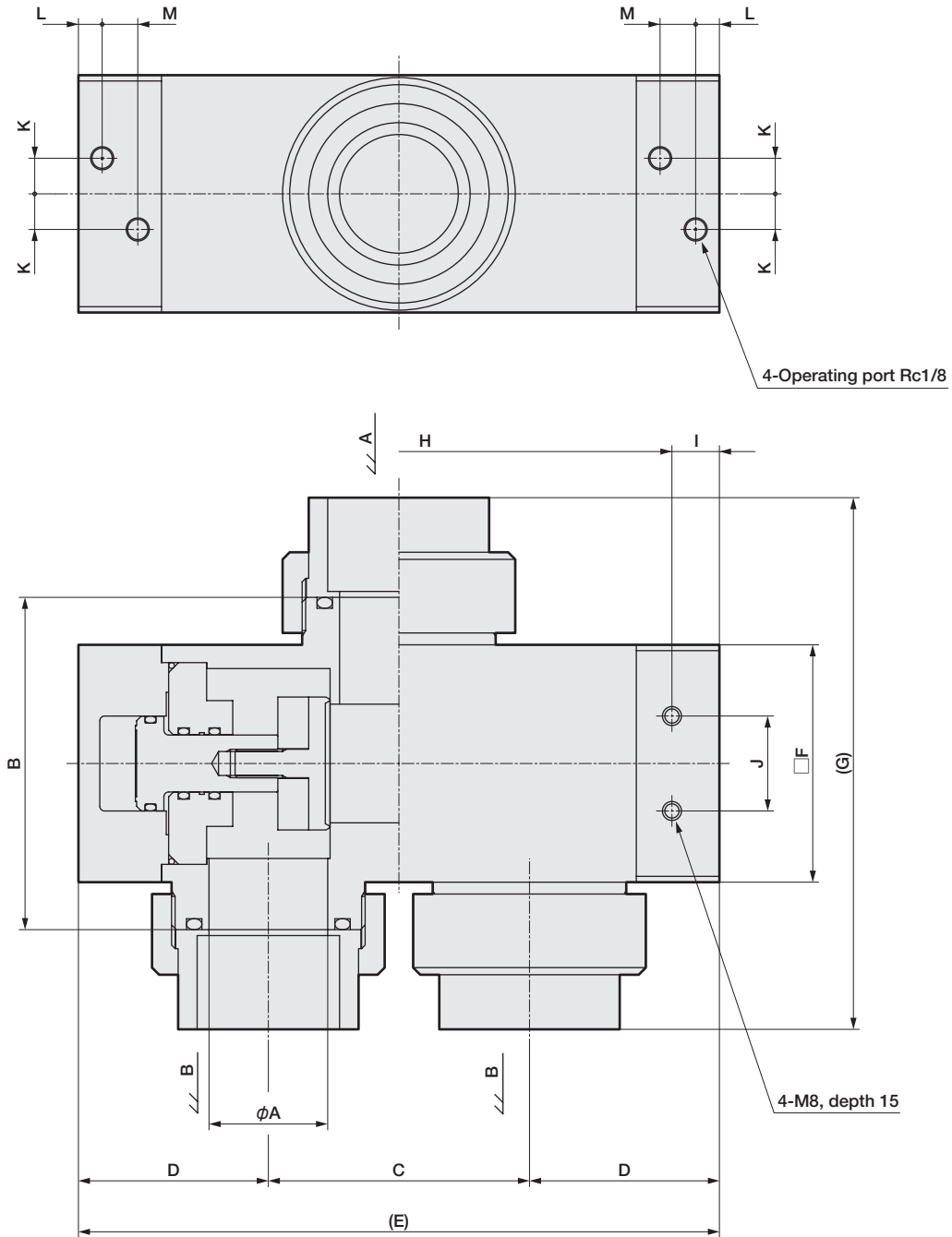
The material and structure may differ depending on the model number. Contact CKD for details.

⚠ Be sure to read the usage precautions on Intro Pages 7 to 16.

Drainage valve (3-port valve)

Dimensions

Dimensions



Dimensions	A	B	C	D	E	F	G	H	I	J	K	L	M
Model No.													
LYX-0882-32AU	32	130	90	70	230	90	190	200	15	40	15	10	10
LYX-0883-40AU	40	130	90	70	230	90	198	200	15	40	15	10	10
LYX-0884-50AU	50	140	110	80	270	100	224	230	20	40	15	10	15

AMD23R
AMD33R
AMD0

AMDZ
AMD02

AMD02
AMD32

AMD42
AMD52

AMD1H
AMD1M

AMG23R
AMG33R
AMG00

AMG20
AMG02

GAMD23R
GAMD24
GAMD22

High pressure specifications

AMD

For parameters

MMD02
MMD0H
MMD0M

GMMD02
MMD00
TMD02

FMD00
MNV

AMS

AMDS

Fine regulator

KML

Others

Related