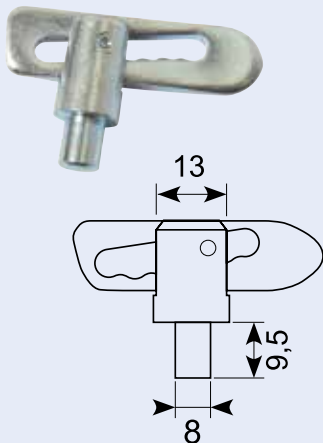


18.183X

Kilelås/vippelås - lille. Galvaniseret jern med tap Ø8 mm.

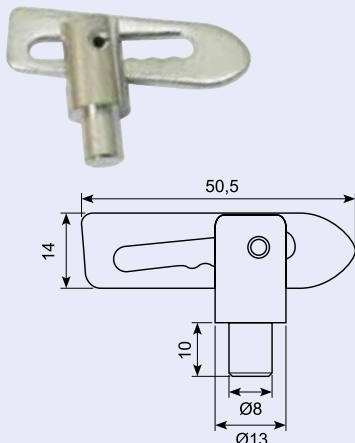
Antiluce fastener - small. Zinc-plated, with Ø 8 mm shaft.



18.153050

Kilelås Ø13 håndtag 50,2 x 14,1m. Ø 8 mm. Længde 10 mm. Glat uden gevind. Galvaniseret. (18.183X).

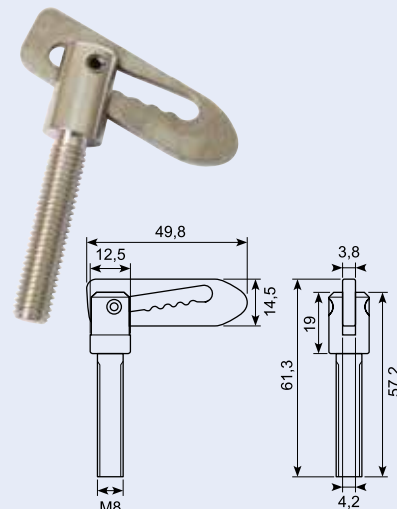
Antiluce fastener Ø13 mm handle. 50.5 x 14 mm. M8 length 10, smooth without thread. Steel, zinc plated.



18.183SS

Kilelås lille Ø 13 mm. Rustfri 304. M8 gevind længde 38 mm.

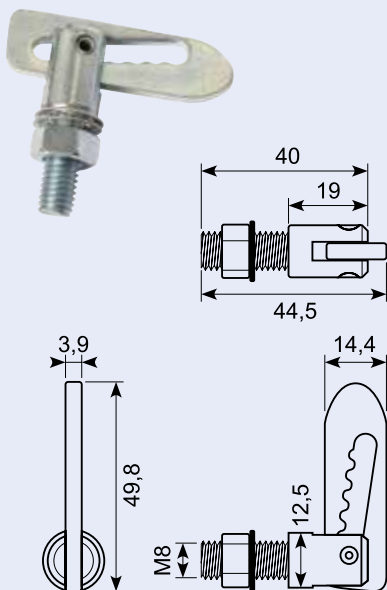
Antiluce fastener small Ø13 mm. M8 thread length 38 mm. Stainless steel 304.



18.183

Kilelås/vippelås - lille. Galvaniseret jern - M8 gevind med møtrik og skive.

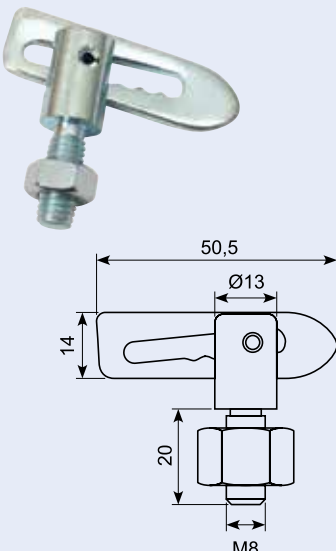
Antiluce fastener small Ø13 mm handle. 50x13.7 mm. M8. Length 21 mm, with shoulder, thread length 18 mm, with nut+washer. Steel, zinc plated.



18.153040

Kilelås Ø13 håndtag 50,4 x 14,7 m M8 x 21 m / bryst. Gevindlængde 18 mm. Galvaniseret med møtrik uden skive. (18.183).

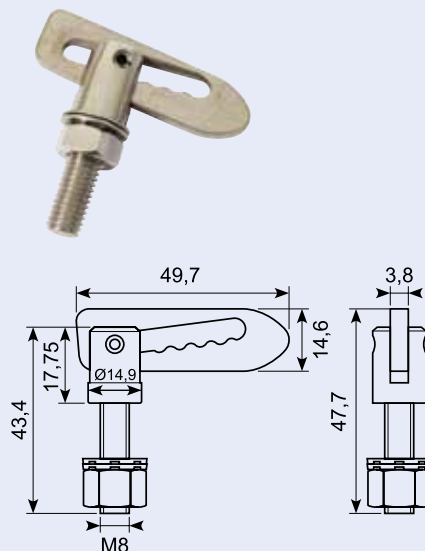
Anti-luce fastener Ø 13 mm handle. 50.5 x 14 mm. M8 length 21 mm with shoulder thread 18 mm. With nut, no disk. Steel, zinc plated. (18.183).



18.183XSS

Kilelås Ø 12,7 mm, M8 x 25 mm. Rustfri.

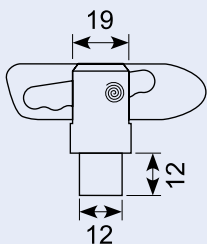
Antiluce fastener Ø12.7 mm. M8x25 mm. Stainless steel 304. Incl. nut/washer.



18.182A

Kilelås/vippelås - stor. Galvaniseret jern med tap Ø12 mm.

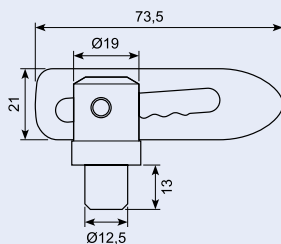
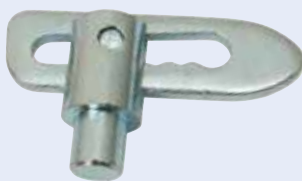
Antiluce fastener - large. Zinc-plated, with Ø12 mm shaft.



18.153010

Kilelås Ø19 mm håndtag. 71,7 x 20,6 m. Ø12,5 mm længde.

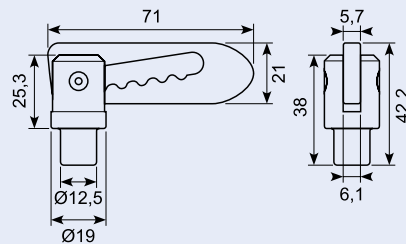
Anti-luce fastener Ø19 mm handle. 73.5x21 mm. M12.5 length 13 mm. Steel, zinc plated.



18.182SS

Kilelås Ø 19 mm, Ø 12,5 x 12 mm. Rustfri.

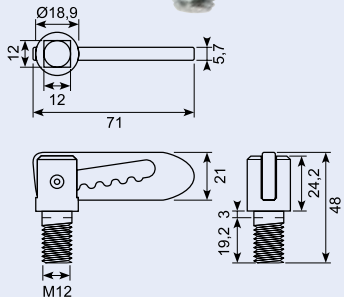
Antiluce fastener Ø19. Ø12.5x12 mm. Stainless steel.



18.182X

Kilelås/vippelås - stor. Galvaniseret jern med M12 gevind.

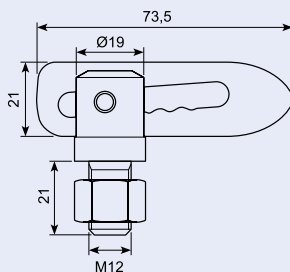
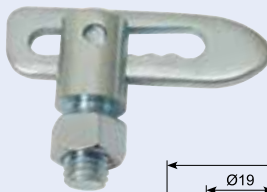
Antiluce fastener - large. Zinc-plated, with Ø12 mm thread.



18.153020

Kilelås Ø19 mm håndtag. 71,6 x 20,4 m. Galvaniseret M12 længde 21 mm med møtrik.

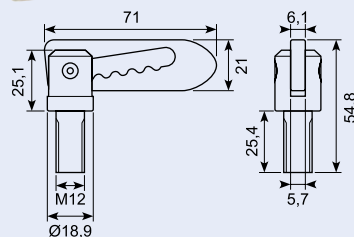
Anti-luce fastener Ø19 mm handle. 73.5x21 mm. M12 length 21 mm, with nut. Steel, zinc plated.



18.182XSS

Kilelås Ø 19 mm, M 12 x 25 mm (22). Rustfri.

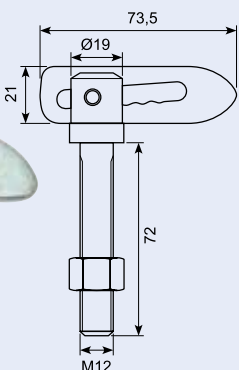
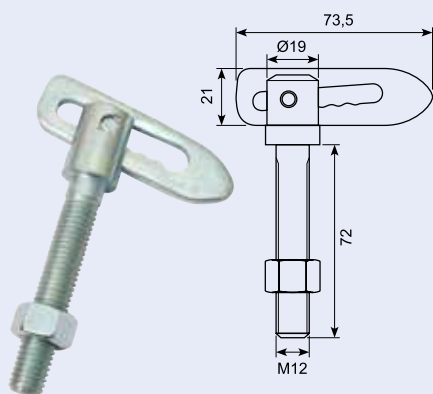
Antiluce fastener Ø19, weld on. M12x25 (22). Stainless steel 304.



18.153030

Kilelås Ø19 mm håndtag. 71,7 x 20,8 m. M12 x 72 m/bryst gevindlængde. 65 galvaniseret med møtrik.

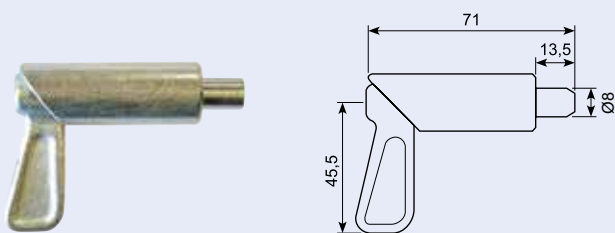
Anti-luce fastener Ø19 mm handle. 73.5x21 mm. M12 length 72 mm with shoulder thread 65 mm. Steel, zinc plated, with nut.



18.185X-1

Fjederrigellås, dorn Ø 8 mm. Galvaniseret.

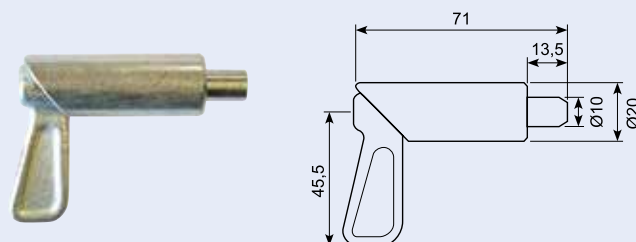
Spring bolt, spring loaded Ø 8 mm. Zinc plated.



18.185X

Fjederrigellås, dorn Ø 10 mm. Galvaniseret.

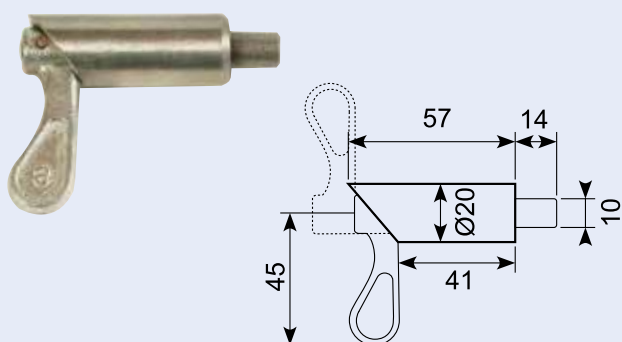
Spring bolt, spring loaded Ø10.0 mm. Zinc plated.



18.185J

Rigellås med fjederbelastning. Jern med jern-kerne og alloy håndtag.

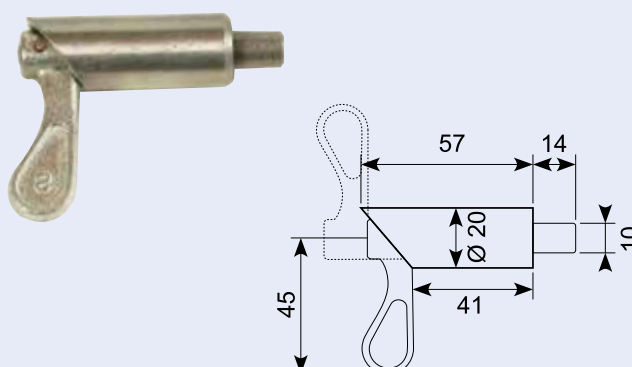
Spring bolt Ø9.9 mm, spring loaded. House with no finish. Steel, zinc plated handle.



18.185S

Rigellås med fjederbelastning. Rustfri stål.

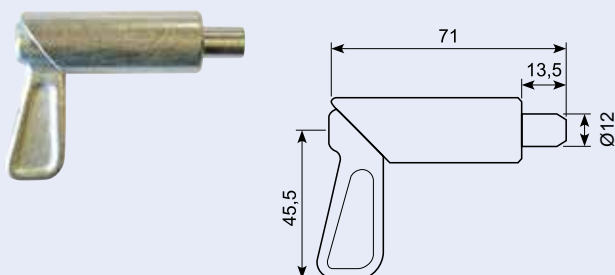
Spring bolt Ø10 mm, spring loaded, type S. Stroke 14 mm. Stainless steel.



18.185X-2

Fjederrigellås, dorn Ø 12 mm. Galvaniseret.

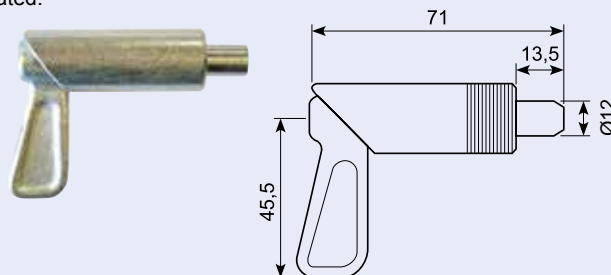
Spring bolt, spring loaded Ø12 mm. Zinc plated.



18.185X-4

Fjederrigellås, dorn Ø 12 mm. Med M20 x 1,5 mm gevind. Galvaniseret.

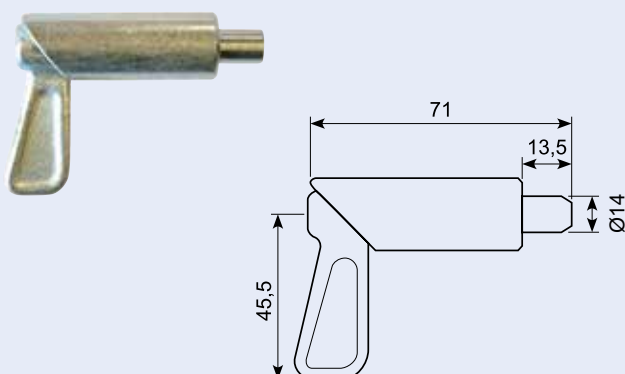
Spring bolt, spring loaded Ø12 mm. With M20 x 1,5 mm thread. Zinc plated.



18.185X-3

Fjederrigellås, dorn Ø 14 mm. Galvaniseret.

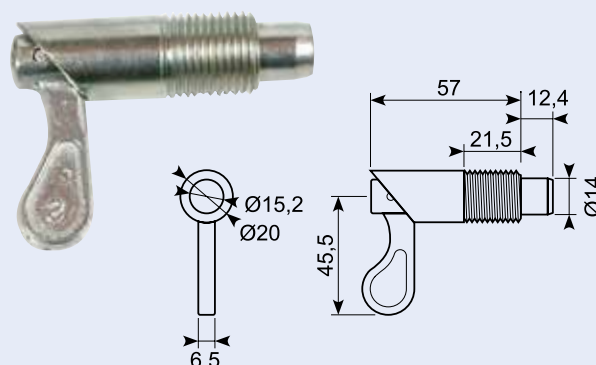
Spring bolt, spring loaded Ø14 mm. Zinc plated.



18.195

Fjederrigel bolt Ø14 mm med 1/2" gevind, 20 mm lang. Galvaniseret.

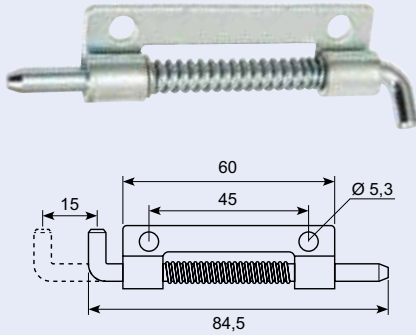
Spring bolt Ø14 mm. Depth 20 mm, 1/2" thread. Steel, zinc plated.



56.3025-330 **

Galvaniseret fjederrigel. RH. 84,5 mm. Ø 5 mm pin. 12,6 mm lang. Plade 60 mm, center 45 mm, Ø 5,3 huller.

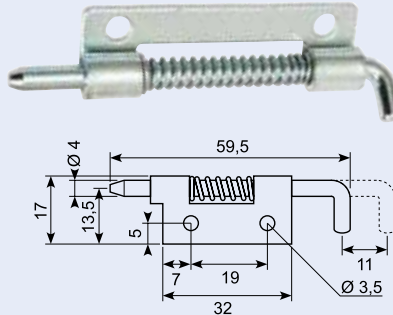
Spring bolt, zinc plated steel, right side. 84.5 mm, Ø5 mm pin 12.6 mm long. Plate 60 mm, center 45 mm, Ø5.3 mm holes.



120° Hinge **

Housing: Steel, non plated or zinc plated
Pin: Steel, Zinc plated
Spring: Spring steel

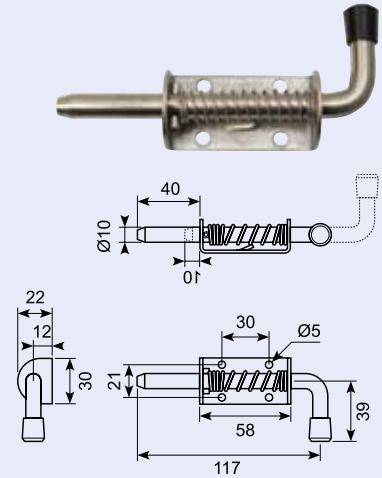
	Black Coated RH Højre / Right	Chrome Plated LH Venstre / Left
Non Plated	56.3023-300 *	56.3024-300 *
Zinc Plated	56.3023-330 *	56.3024-330 *



50.0152103S

Skudrigel. Rustfri SS304

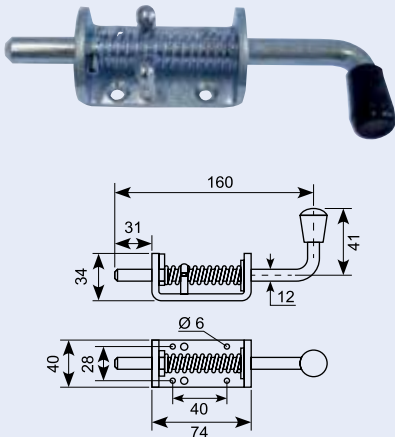
Spring loaded bolt 117 mm. Mandrel Ø10 mm. Stainless steel SS304, electro galvanized.



18.186J

Fjederrigel - 12 mm. Galvaniseret jern, med stopbolte. PVC prop 18.186J-1. Løs rørsplit 18.186J-2.

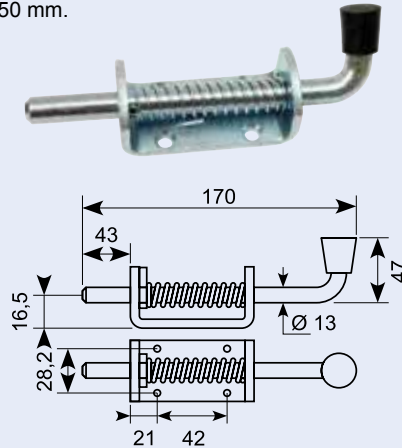
Spring bolt. Mandrel Ø12 mm. Flange and stop bolt. Steel, zinc plated. 10 micron.



18.188J

Skudrigel. Galvaniseret jern. Dorn: Ø13 mm. Plade: 40 x 85 mm. Dorn: 150 x 50 mm.

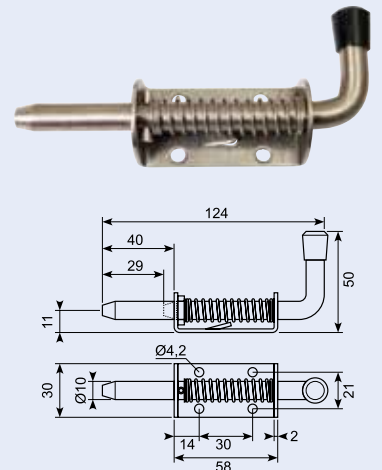
Spring loaded bolt, zinc plated iron. Mandrel Ø13 mm, plate 40 x 85 mm. Mandrel 150 x 50 mm.



50.0152103SX

Rustfri/syrefast SS316

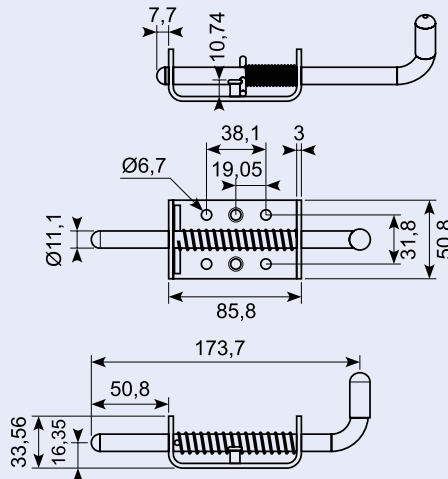
Stainless steel acid-proof SS316



18.187SS

Skudrigel rustfri. Elektropoleret.

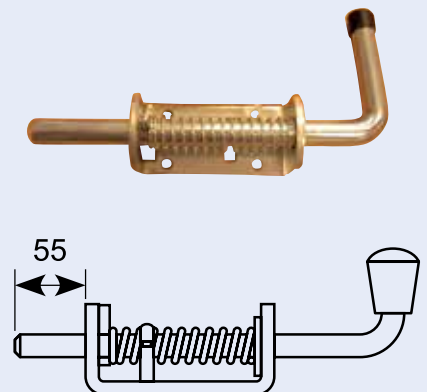
Stainless spring bolt. Electro polished.



18.189J

Skudrigel. Galvaniseret jern. Dorn: Ø14 mm. Plade: 40x85 mm. Dorn 190x85 mm.

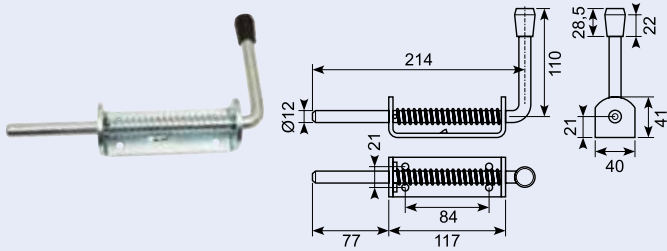
Spring loaded bolt. Zinc plated iron. Mandrel: Ø14 mm. Plate: 40x85 mm. Mandrel: 190x85 mm.



18.190J

EL-galvaniseret fjederrigel. Flange og stopbolt. 213 mm med Ø 12 mm pin.

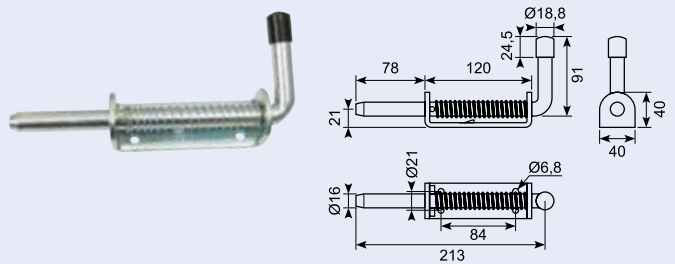
Spring bolt 214 mm. Mandrel Ø12 mm. Length 78 mm, flange and stop bolt. Steel, electro galvanized.



18.191J

EL-galvaniseret fjederrigel. Flange og stopbolt. 213 mm med Ø 16 mm pin. 78 mm.

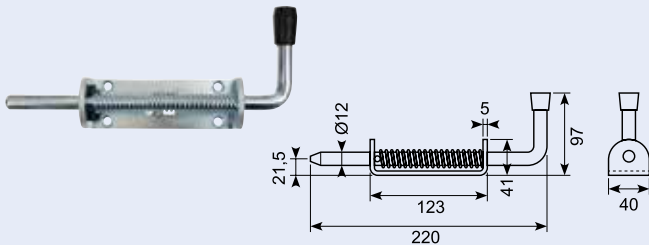
Spring bolt 213 mm. Mandrel Ø16 mm. Length 78 mm, flange and stop bolt. Steel, electro galvanized.



18.190JX

Fjederrigel. Flange og stopbolt, el-galv. Pin længde 58 mm.

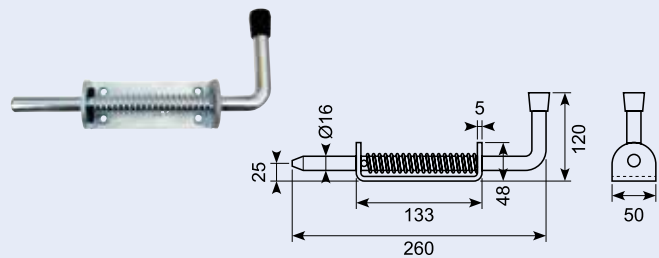
Spring bolt. Flange and stop bolt. El galvanized. Pin length 58 mm.



18.191JX

Fjederrigel. Flange og stopbolt, el-galv. Pin længde 72 mm.

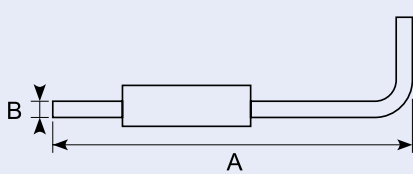
Spring bolt. Flange and stop bolt. El galvanized. Pin length 72 mm.



Fjederrigel

Fjederrigel og modhold i sort. Ubehandlet til svejsning.

Spring bolt Ø12 mm incl. catcher, black, natural finish for welding.



Vare nr. Part no.	A mm	B mm
18.196-150	150	Ø 12
18.196-170	170	Ø 12
18.196-190	190	Ø 12
18.196-330	330	Ø 12

18.196A

Modhold til 18.196-150, 18.196-170, 18.196-190 og 18.196-330. Ubehandlet til svejsning. Sort.

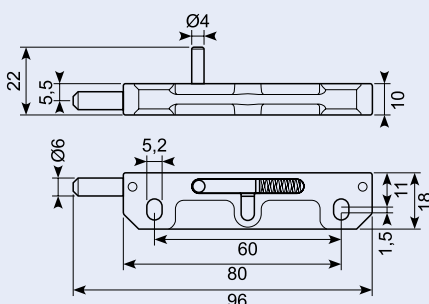
Catcher for spring bolt, black. Natural finish for welding.



18.192

Fjederrigel zink sandblæst nic rustfri pin og fjeder.

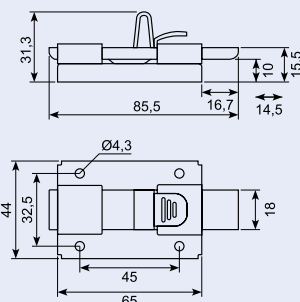
Spring bolt. Zinc. Sandblasted nic stainless pin and spring.



18.193J

Rustfri skudrigel med clicklås i yderposition.

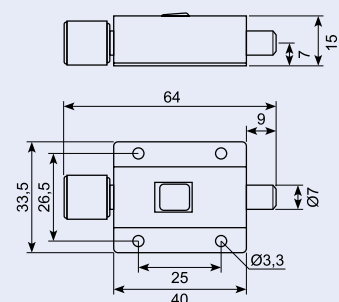
Stainless sliding bolt with click lock in outer position.



18.194J

Rustfri skudrigel. Aktiveres med knap ikke låst i yderposition.

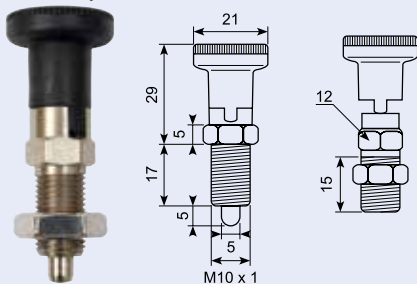
Stainless sliding bolt. Activated with a knob. Not locked in outer position.



50.14934A-5

Rustfri positioneringsbolt d=5. Rustfri SS303 Nylon knop. Gevind M10x1 med møtrik.

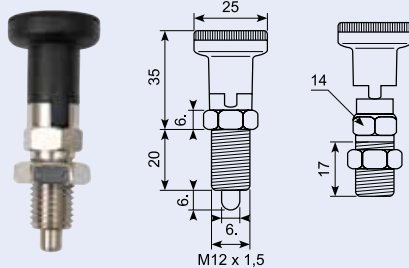
Stainless position bolt. d=5. Stainless SS303. Nylon knob. Thread M10x1 with nut.



50.14934A-6

Rustfri positioneringsbolt d=6. Rustfri SS303 Nylon knop. Gevind M12x1.5 med møtrik.

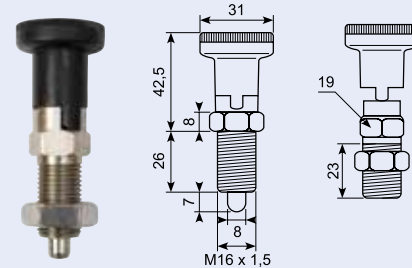
Stainless position bolt. d=6. Stainless SS303. Nylon knob. Thread M12x1,5 with nut.



50.14934A-8

Rustfri positioneringsbolt d=8. Rustfri SS303 Nylon knop. Gevind M16x1.5 med møtrik.

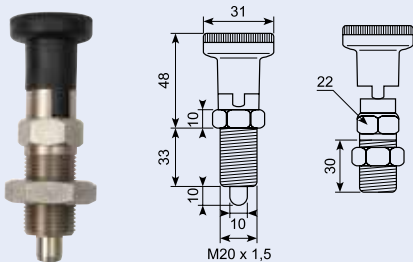
Stainless position bolt. d=8. Stainless SS303. Nylon knob. Thread M16x1,5 with nut.



50.14934A-10 **

Rustfri positioneringsbolt d=10. Rustfri SS303 Nylon knop. Gevind M20x1.5 m/ møtrik.

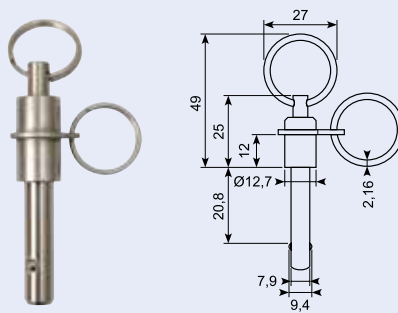
Stainless position bolt. d=10. Stainless SS303. Nylon knob. Thread M20x1,5 with nut.



50.14816

Ball pin 7,9 mm grip 20,32 mm. Rustfri SS304 med 2 ringe.

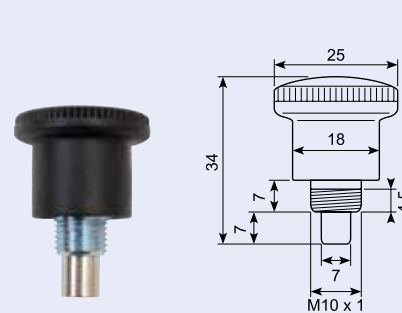
Ball pin. 7,9 mm grip 20,32 mm. Stainless SS304 with 2 rings.



50.14934B-7

Galv. positioneringsbolt d = 7. Nylon knop M10x1,0 gevind.

Zinc plated position bolt d = 7. Nylon knob. M10 x 1 thread.



50.10202XS / 50.10202XSS *

Alu 3 toiletlåse til indbygning Komp.Sæt -Stift 20 mm længere Stålstift+plade+plast samlet. Min. 1.000 stk.

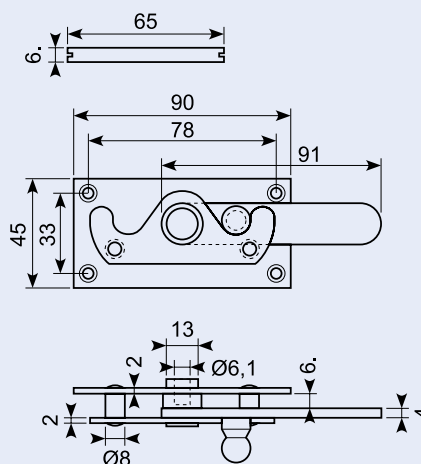
Aluminium toilet lock for installation. Complete set. Pin 20 mm longer. Steel pin, plate and plastic. Min. 1.000 pcs.



50.15144

Toiletlåse. Forniklet messing.

Toilet lock. Nickel-plated brass.



50.14934A-8X

Rustfri positioneringsbolt d=8 Rustfri SS303 Nylon knop Gevind M16x1.5 m/møtrik.

Stainless positionbolt d=8. Stainless SS303. Nylon knob. Thread M16 x 1,5 with nut.

