

Kvartomdrejningslås / Quarter Turn

Hus: Støbt zink, forkromet eller sortmalet

Indlæg: Støbt zink, forkromet eller sortmalet

Møtrik: Galvaniseret støbt zink

Tunge: Plastik eller galvaniseret stål

XXX = uden tunge. Tunger: Side 37 - 38. Nøgler: Side 44 - 45

Housing: Zinc die, black coated or chrome plated

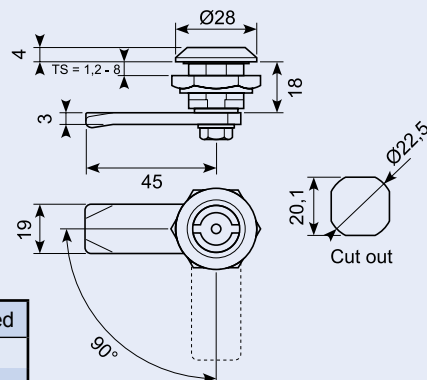
Insert: Zinc die, black coated or chrome plated

Nut: Zinc Die, zinc plated

Cam: Plastic or steel, zinc plated

XXX = without cam. Cams: Page 38 - 39. Keys: Page 45 - 46.

GH=13,5

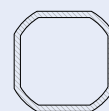


	Indlægstype / Insert types	Forkromet / Chrome Plated	Sortmalet / Black Coated
⊗	Dobbelt bit / Double Bit 3 mm	56.1821-201-XXX	56.1831-301-XXX *
⊗	Dobbelt bit / Double Bit 5 mm	56.1821-202-XXX	56.1831-302-XXX *
⊠	Trekantet / Triangular 8 mm	56.1821-203-XXX	56.1831-303-XXX *
⊠	Trekantet / Triangular 9 mm	56.1821-209-XXX	56.1831-309-XXX *
⊠	Firkantet / Square 7 mm	56.1821-204-XXX	56.1831-304-XXX *
⊠	Firkantet / Square 8 mm	56.1821-205-XXX	56.1831-305-XXX *
⊠	Kærvet / Slotted	56.1821-208-XXX	56.1831-308-XXX *
⊠	Østeuropa / Eastern Europe	56.1821-210-XXX *	56.1831-310-XXX *

	Indlægstyper / Insert types	Forkromet flad tunge/ Chrome Plated flat cam
⊗	Dobbelt bit / Double Bit 3 mm	56.1821-201-218
⊗	Dobbelt bit / Double Bit 5 mm	56.1821-202-218
⊠	Trekantet / Triangular 8 mm	56.1821-203-218
⊠	Trekantet / Triangular 9 mm	56.1821-209-218
⊠	Firkantet / Square 7 mm	56.1821-204-218
⊠	Firkantet / Square 8 mm	56.1821-205-218
⊠	Kærvet / Slotted	56.1821-208-218

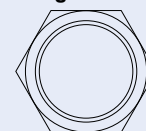
56.YP1299

Pakning til 1801/1821 hus



56.YZE117TCK

Møtrik til 1801/1821 hus galvaniseret



Mini Quarter Turn

Hus: Støbt zink, sortmalet eller forkromet

Indlæg: Støbt zink, sortmalet eller forkromet

Møtrik: Galvaniseret støbt zink

Tunge: Galvaniseret stål

XXX = uden tunge.

Tunger: 56.1900-6XX side 37. Nøgler: Side 44 - 45

Housing: Zinc Die, Black coated or Chrome plated

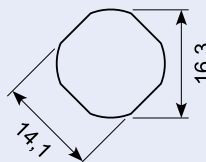
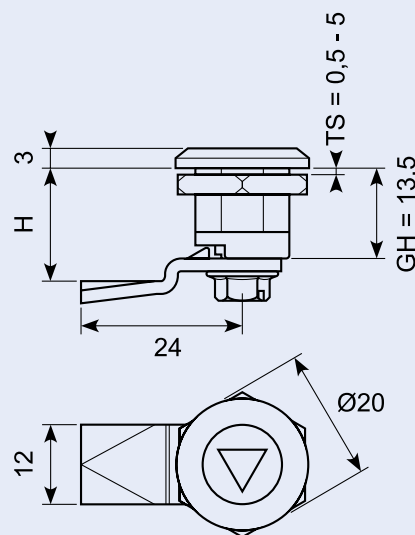
Insert: Zinc Die, Black coated or chrome plated

Nut: Zinc Die, zinc plated

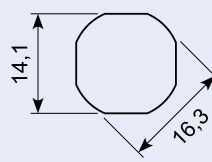
Cam: Steel, zinc plated

XXX = without cam.

Cams: 56.1900-6XX page 37. Keys: Page 44 - 45.



Version A



Version B

GH=13,5

Version A Cutout

	Indlægstype / Insert Types	Forkromet / Chrome Plated	Sortmalet / Black Coated
⊠	Firkantet / Square 6 mm	56.1825-201-XXX	56.1825-301-XXX *
⊠	Trekantet / Triangular 6,5 mm	56.1825-202-XXX	56.1825-302-XXX *
⊠	Kærvet / Slotted	56.1825-203-XXX	56.1825-303-XXX *

Version B Cutout

	Indlægstype / Insert Types	Forkromet / Chrome Plated	Sortmalet / Black Coated
⊠	Firkantet / Square 6 mm	56.1824-201-XXX *	56.1824-301-XXX *
⊠	Trekantet / Triangular 6,5 mm	56.1824-202-XXX *	56.1824-302-XXX *
⊠	Kærvet / Slotted	56.1824-203-XXX *	56.1824-303-XXX *

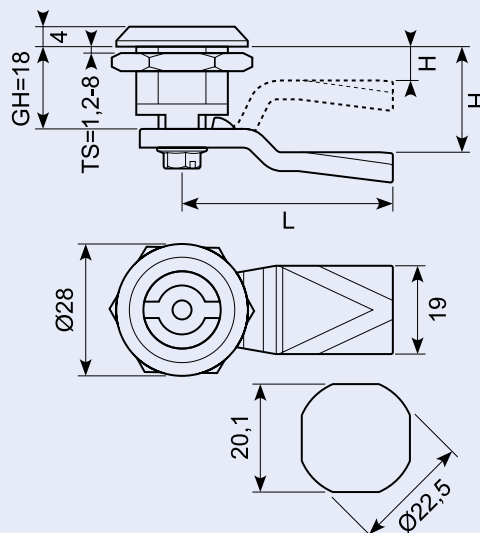
* Skaffevare / Special order item

SINDBY HARDWARE 7 - 00032-7-k201810

Nylon kvartomdrejning / Nylon Quarter Turn

Hus: Polyamid (PA6 GFR30), sort støbt zink, forkromet eller sortmalet
Indlæg: Polyamid (PA6 GFR30), sort støbt zink, forkromet eller sortmalet
Møtrik: Plastik eller galvaniseret støbt zink
Tunge: Plastik eller galvaniseret stål
XXX = uden tunge. Tunger: side 37 - 38. **Nøgler:** side 44 - 45.

Housing: Polyamid (PA6 GFR30), black Zinc Die, Chrome plated or Black coated
 Insert: Polyamid (PA6 GFR30), black Zinc Die, Chrome plated or Black coated
 Nut: Plastic or zinc Die, zinc plated
 Cam: Plastic or Steel, zinc plated
 XXX = without cam. Cams: page 37 - 38.
 Keys: page 44 - 45.



PA6 = Nylon GFR30
GH=18

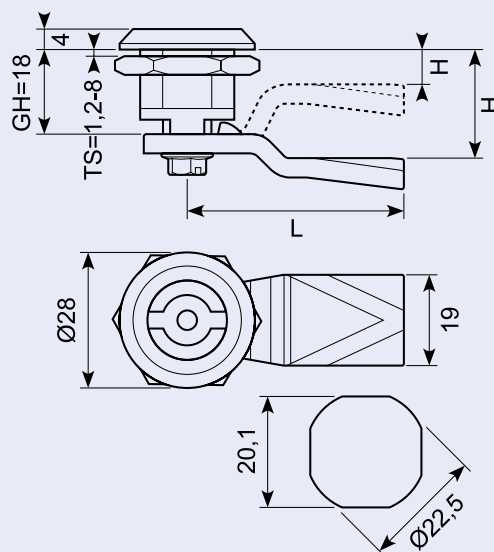
	Indlægstype / Insert types	PA	Forkromet / Chrome Plated	Sortmalet / Black Coated
⊗	Dobbelt bit / Double Bit 3 mm	56.1810-101-XXX *	56.1820-201-XXX *	56.1830-301-XXX *
⊗	Dobbelt bit / Double Bit 5 mm	56.1810-102-XXX *	56.1820-202-XXX *	56.1830-302-XXX *
⊠	Trekantet / Triangular 8 mm	56.1810-103-XXX *	56.1820-203-XXX *	56.1830-303-XXX *
⊠	Trekantet / Triangular 9 mm	56.1810-109-XXX *	56.1820-209-XXX *	56.1830-309-XXX *
⊠	Firkantet / Square 7 mm	56.1810-104-XXX *	56.1820-204-XXX *	56.1830-304-XXX *
⊠	Firkantet / Square 8 mm	56.1810-105-XXX *	56.1820-205-XXX *	56.1830-305-XXX *
⊠	Kærvet / Slotted	56.1810-108-XXX *	56.1820-208-XXX *	56.1830-308-XXX *
⊠	Østeuropa / Eastern Europe	56.1810-110-XXX *	56.1820-210-XXX *	56.1830-310-XXX *

	Indlægstype / Insert types	PA	Højde / Height	Med tunge / With cam
⊗	Dobbelt bit / Double Bit 5 mm	56.1810-102-101	H = 18	Ja / yes
⊠	Trekantet / Triangular 8 mm	56.1810-103-101	H = 18	Ja / yes
⊠	Firkantet / Square 8 mm	56.1810-105-101	H = 18	Ja / yes

Rustfri kvartomdrejningslås / Stainless Quarter Turn

Hus og indlæg: Rustfrit stål, AISI 316
Tunge: Rustfrit stål, AISI 316
XXX = uden tunge. Tunger: side 37 - 38.
Nøgler: side 44 - 45.

Housing and Insert: Stainless Steel, AISI 316
 Cam: Stainless Steel, AISI 304
 XXX = without cam. Cams: page 37 - 38.
 Keys: page 44 - 45.



GH=18

	Indlægstyper / Insert types	Varenummer / Item Number
⊗	Dobbelt bit / Double Bit 3 mm	56.1511-001-XXX *
⊗	Dobbelt bit / Double Bit 5 mm	56.1511-002-XXX *
⊠	Trekantet / Triangular 8 mm	56.1511-003-XXX *
⊠	Firkantet / Square 8 mm	56.1511-005-XXX
⊠	Kærvet / Slotted	56.1511-008-XXX *

	Indlægstype / Insert types	Sortmalet / Black Coated	Højde / Height	Med tunge / With cam
⊠	Firkantet / Square 8 mm	56.1511-005-5226 *	H = 26	Ja / yes
⊗	Dobbelt bit / Double Bit 3 mm	56.1511-001-5226	H = 26	

* Skaffevare / Special order item

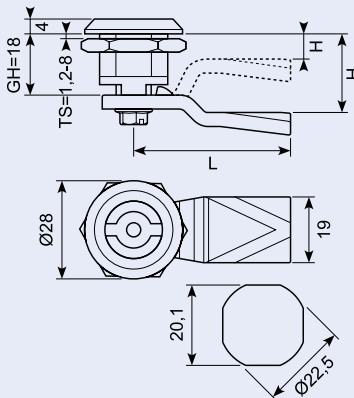
Sikret kvartomdrejningslås / Secure Quarter Turn

Hus: Støbt zink, forkromet eller sortmalet
Indlæg: Støbt zink, forkromet eller sortmalet
Møtrik: Støbt zink, galvaniseret
Tunge: Plastik eller stål, galvaniseret
XXX = uden tunge. Tunger: side 37 - 38.
Nøgler: side 44 - 45.

For at låse op, er det nødvendigt, på grund af næsen på huset, at skubbe og dreje kvartomdrejningslåsen. Den kan ikke være åben ved vibrationer.

Housing: Zinc Die, Chrome plated or Black coated
Insert: Zinc Die, Chrome plated or Black coated
Nut: Zinc Die, zinc plated
Cam: Plastic or Steel, zinc plated
XXX = without cam. Cams: page 37 - 38. Keys: page 44 - 45.

Due to the nose on the housing, for unlocking, it is necessary to push and turn the quarter turn. It cannot be open by vibration.



	Indlægstyper / Insert types	Forkromet / Chrome Plated	Sortmalet / Black Coated
⊗	Dobbelt bit / Double Bit 3 mm	56.1842-201-XXX *	56.1852-301-XXX *
⊗	Dobbelt bit / Double Bit 5 mm	56.1842-202-XXX *	56.1852-302-XXX *
△	Trekantet / Triangular 8 mm	56.1842-203-XXX *	56.1852-303-XXX *
△	Trekantet / Triangular 9 mm	56.1842-209-XXX *	56.1852-309-XXX *
◻	Firkantet / Square 7 mm	56.1842-204-XXX *	56.1852-304-XXX *
◻	Firkantet / Square 8 mm	56.1842-205-XXX *	56.1852-305-XXX *
⊘	Kærvet / Slotted	56.1842-208-XXX *	56.1852-308-XXX *
⊘	Østeuropa / Eastern Europe	56.1842-210-XXX *	56.1852-310-XXX *

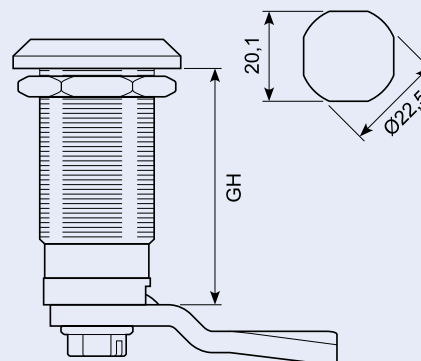
Med flad tunge / Straight cam

	Indlægstyper / Insert types	Sortmalet / Black Coated	Højde / Height	Med tunge / With cam
⊗	Dobbelt bit / Double Bit 3 mm	56.1852-301-206	H = 6	Ja / Yes

Kvartomdrejningslås lang / Quarter Turn Long

Hus: Støbt zink, forkromet eller sortmalet
Indlæg: Støbt zink, forkromet eller sortmalet
Møtrik: Støbt zink, galvaniseret
XXX = uden tunge. Tunger: side 37 - 38.
Nøgler: side 44 - 45.

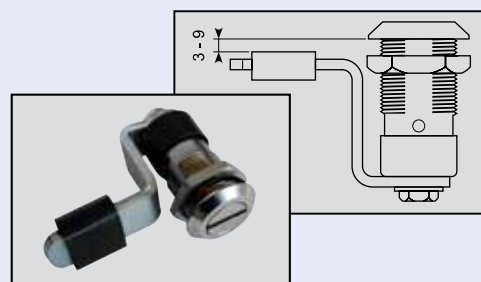
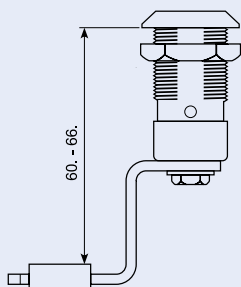
Housing: Zinc die, chrome plated or black coated
Insert: Zinc die, chrome plated or black coated
Nut: Zinc die, zinc plated
XXX = without cam. Cams: page 37 - 38.
Keys: page 44 - 45.



	Insert types	GH=35	GH=45	GH=55	GH=65
⊗	Dobbelt bit / Double Bit 3 mm	56.1123-201-XXX *	56.1124-201-XXX *	56.1125-201-XXX *	56.1126-201-XXX *
⊗	Dobbelt bit / Double Bit 5 mm	56.1123-202-XXX *	56.1124-202-XXX *	56.1125-202-XXX *	56.1126-202-XXX *
△	Trekantet / Triangular 8 mm	56.1123-203-XXX *	56.1124-203-XXX *	56.1125-203-XXX *	56.1126-203-XXX *
△	Trekantet / Triangular 9 mm	56.1123-209-XXX	56.1124-209-XXX	56.1125-209-XXX	56.1126-209-XXX
◻	Firkantet / Square 7 mm	56.1123-204-XXX *	56.1124-204-XXX *	56.1125-204-XXX *	56.1126-204-XXX *
◻	Firkantet / Square 8 mm	56.1123-205-XXX	56.1124-205-XXX	56.1125-205-XXX	56.1126-205-XXX
⊘	Kærvet / Slotted	56.1123-208-XXX *	56.1124-208-XXX *	56.1125-208-XXX *	56.1126-208-XXX *
⊘	Østeuropa / Eastern Europe	56.1123-210-XXX *	56.1124-210-XXX *	56.1125-210-XXX *	56.1126-210-XXX *

16.416

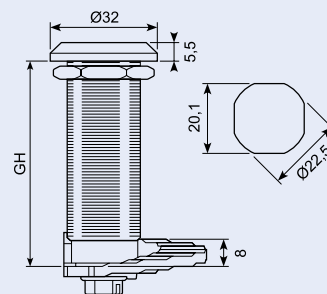
Kabinetlås til Volvo. 1/4 turn. Turn + pull.
Cabinet lock for Volvo. 1/4 turn. Turn + pull.



Trinvis kvartomdrejningslås / Stepped Quarter Turn

Hus: Støbt zink, forkromet eller sortmalet
Indlæg: Støbt zink, forkromet eller sortmalet
Møtrik: Støbt zink, galvaniseret.
Nøgler: Side 44 - 45.

Housing: Zinc die, chrome plated or black coated
 Insert: Zinc die, chrome plated or black coated
 Nut: Zinc die, zinc plated
 Keys: Page 44 - 45.



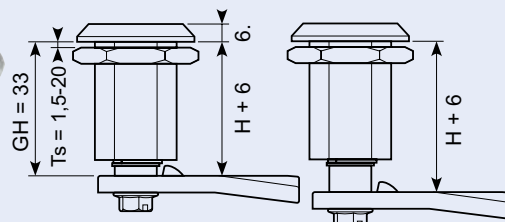
	Indlægstyper / Insert Types	GH=30	GH=40	GH=50	GH=60
⊗	Dobbelt bit / Double Bit 3 mm	56.1023-201 *	56.1024-201 *	56.1025-201 *	56.1026-201 *
⊗	Dobbelt bit / Double Bit 5 mm	56.1023-202 *	56.1024-202 *	56.1025-202 *	56.1026-202 *
⊠	Trekantet / Triangular 8 mm	56.1023-203 *	56.1024-203 *	56.1025-203 *	56.1026-203 *
⊠	Trekantet / Triangular 9 mm	56.1023-209 *	56.1024-209 *	56.1025-209 *	56.1026-209 *
⊠	Firkantet / Square 7 mm	56.1023-204 *	56.1024-204 *	56.1025-204 *	56.1026-204 *
⊠	Firkantet / Square 8 mm	56.1023-205 *	56.1024-205 *	56.1025-205 *	56.1026-205 *
⊠	Kærvet / Slotted	56.1023-208 *	56.1024-208 *	56.1025-208 *	56.1026-208 *
⊠	Østeuropa / Eastern Europe	56.1023-210 *	56.1024-210 *	56.1025-210 *	56.1026-210 *

Kompressionslås / Compression Latch

Hus: Støbt zink, forkromet eller sortmalet
Indlæg: Støbt zink, forkromet eller sortmalet
Møtrik: Støbt zink, galvaniseret
Tunge: Plastik or galvaniseret stål
XXX = uden tunge. Tunger: side 37 - 38. Nøgler: 44 - 45.

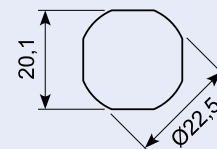
Housing: Zinc die, chrome plated or black coated
 Insert: Zinc die, chrome plated or black coated
 Nut: Zinc die, zinc plated
 Cam: Plastic or Steel, zinc plated

XXX = uden tunge. Cams: page 37 - 38. Keys: page 44 - 45.



Compression Latch GH=33

	Indlægstyper / Insert types	Forkromet / Chrome Plated	Sortmalet / Black Coated
⊗	Dobbelt bit / Double Bit 3 mm	56.1044-201-XXX *	56.1044-301-XXX *
⊗	Dobbelt bit / Double Bit 5 mm	56.1044-202-XXX *	56.1044-302-XXX *
⊠	Trekantet / Triangular 8 mm	56.1044-203-XXX *	56.1044-303-XXX *
⊠	Trekantet / Triangular 9 mm	56.1044-209-XXX *	56.1044-309-XXX *
⊠	Firkantet / Square 7 mm	56.1044-204-XXX *	56.1044-304-XXX *
⊠	Firkantet / Square 8 mm	56.1044-205-XXX *	56.1044-305-XXX *
⊠	Kærvet / Slotted	56.1044-208-XXX *	56.1044-308-XXX *
⊠	Østeuropa / Eastern Europe	56.1044-210-XXX *	56.1044-310-XXX *

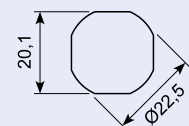
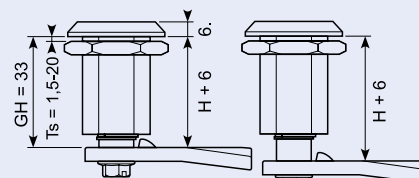


Rustfri kompressionslås / Stainless Compression Latch

Hus og indlæg: Rustfri stål, AISI 316
Tunge: Rustfri stål, AISI 304
Anti-vibrationsspændeskive: Rustfri stål, AISI 304
XXX = uden tunge. Tunger: side 37 - 38.
Nøgler: side 44 - 45.

Housing and Insert: Stainless Steel, AISI 316
 Cam: Stainless Steel, AISI 304
 Anti-vibration Washer: Stainless Steel, AISI 304
 XXX = without cam. Cams: page 37 - 38.
 Keys: page 44 - 45.

GH=33



	Indlægstype / Insert types	Varenummer / Item number
⊗	Dobbelt bit / Double Bit 3 mm	56.1544-001-XXX *
⊗	Dobbelt bit / Double Bit 5 mm	56.1544-002-XXX *
⊠	Trekantet / Triangular 7 mm	56.1544-007-XXX *
⊠	Trekantet / Triangular 8 mm	56.1544-003-XXX *
⊠	Firkantet / Square 8 mm	56.1544-005-XXX *
⊠	Kærvet / Slotted	56.1544-008-XXX *

Indlægstype / Insert types	Varenummer / Item number	Højde / Height	Med tunge / With cam
⊠	Firkantet / Square 8 mm	H = 25	Ja / Yes
⊠	Firkantet / Square 8 mm	H = 31	Ja / Yes
⊠	Firkantet / Square 8 mm	H = 33	Ja / Yes

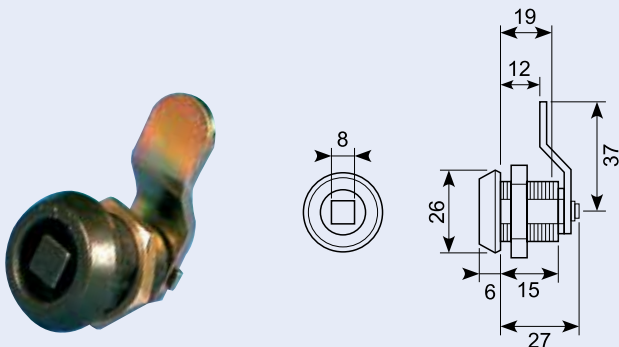
Anti-vibrationsspændeskive / Anti-Vibration Washer

Varenummer / Item number	56.1544-100
--------------------------	-------------

* Skaffevare / Special order item

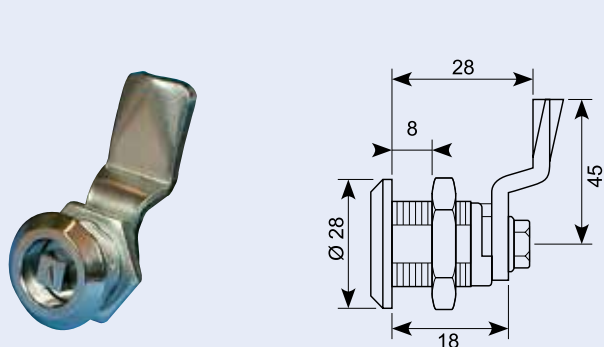
16.382

Sortlakeret kabinetlåse med rund front, til 8 mm firkantnøgle.
Square-drive lock industrial, black with 8 mm square plug.



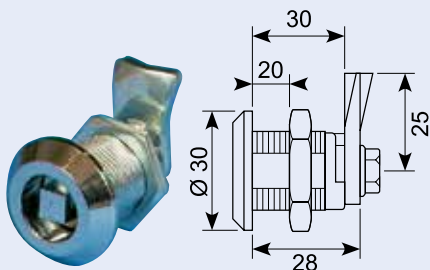
16.390

Skabslås med kort hus. Lang tunge. 8 mm firkant.
Compartment lock with short house. Long tongue. 8 mm square.



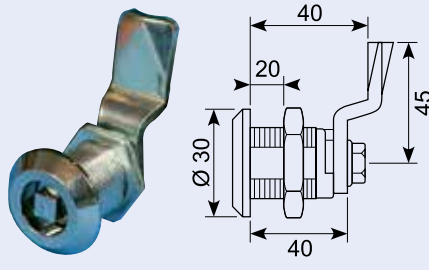
16.395

Skabslås med langt hus. Kort tunge. 8 mm firkant.
Compartment lock with long house. Short tongue. 8 mm square.



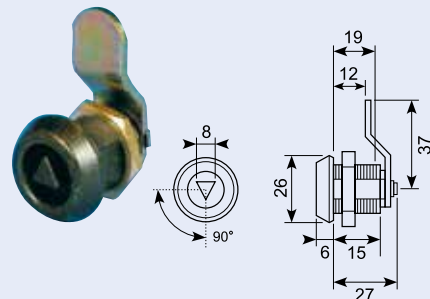
16.398

Skabslås med langt hus. Lang tunge. 8 mm firkant.
Compartment lock with long house. Long tongue. 8 mm square.



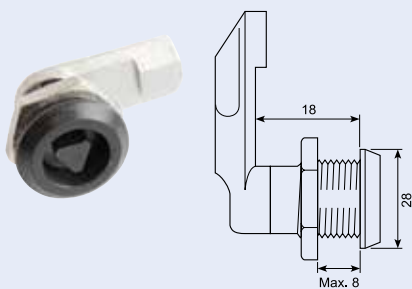
16.381

Kabinetlåse med rund front. Sortlakeret til trekantnøgle. 8 mm trekant.
Tri-lock, all-black with triangular plug. 8 mm square.



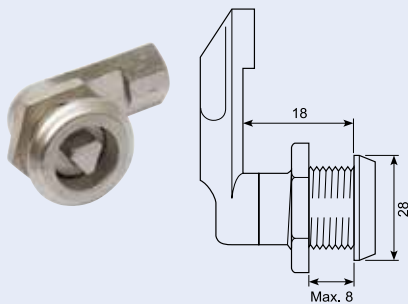
50.13197-4

Kabinetlåse i nylonhus og rustfri tunge. 9 mm trekant. Udgår.
Nylon cabinet lock and stainless tongue. 9 mm triangle.



50.13197-4SS

Rustfri kabinetlåse med 9 mm trekant. Udgår.
Stainless cabinet lock with 9 mm triangle.



50.9785-2 *

Kabinetlåse spec. trekant. (Skaffevare min. 5.000 stk.).
Cabinet lock special triangle. (On demand min. 5.000 pcs.)



50.9785-1

Kabinetlåse 8 mm trekant. (Skaffevare min. 5.000 stk.).
Cabinet spanner lock. 8 mm triangle. (On demand min. 5.000 pcs.)

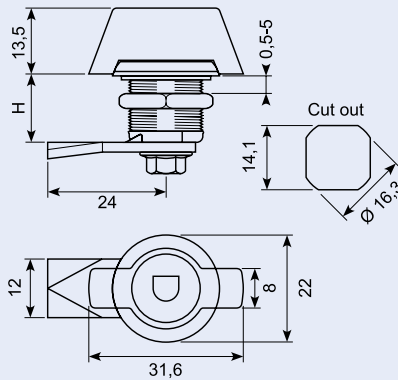


T-greb / T-handle

Type A



XXX = uden tunge
XXX = without cam

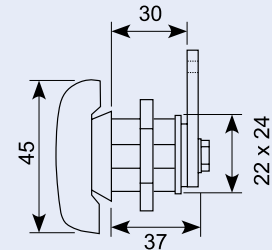


	Forkromet / Chrome Plated	Sortmalet / Black Coated	Med tunge / With cam
Uden cylinder / Without Barrel	56.1014-210-XXX	56.1014-220-XXX	Nej / No
Nøglekode / Keyed 2222	56.1014-910-XXX	56.1014-920-XXX	Nej / No
	56.1014-910-602 H=13,5	56.1014-220-602 H=13,5	Ja / Yes
		56.1014-920-602 H=13,5	Ja / Yes

11.240 **

T-greb mini med lås. Alloy-krom. Leveres med 2 nøgler.

Mini T-handle with locking. Alloy-chrome. Incl. 2 keys.

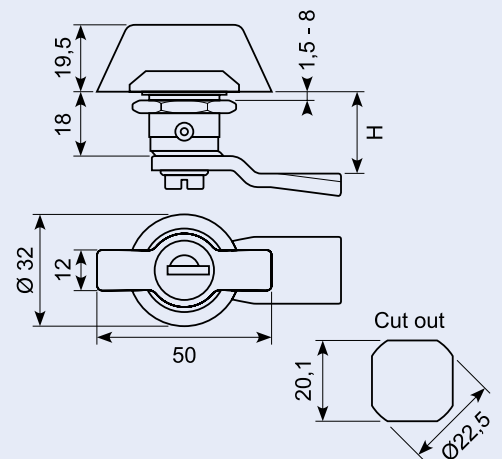


Rotation: 180°

T-greb / T-handle



XXX = uden tunge.
Tunger: side 37 - 38
XXX = without cam.
Cams: page 37 - 38



	PA på støbt zink PA over Zinc Die	Forkromet Chrome Plated	Sortmalet Black Coated	Med tunge / With cam
Ikke-låsende / Unlocking	56.1015-100-XXX	56.1015-210-XXX	56.1015-220-XXX	Nej / no
Nøglekode / Keyed 3333	56.1015-900-XXX	56.1015-910-XXX	56.1015-920-XXX	Nej / no
	56.1015-100-222 H=22	56.1015-910-218 H=18	56.1015-220-224 H=24	Ja / yes
	56.1015-900-218 H=18		56.1015-920-224 H=24	Ja / yes
	56.1015-900-222 H=22			Ja / yes

T-greb / T-handle

Hus og indlæg: Rustfrit stål, AISI 316

Tunge: Rustfrit stål, AISI 316

Housing and Insert: Stainless Steel, AISI 316

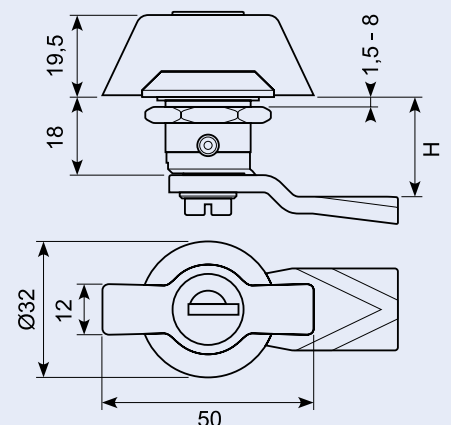
Cam: Stainless Steel, AISI 304



XXX = uden tunge. Tunger: side 38.

XXX = without cam. Cams: page 38.

	Varenummer / Item Number
Ikke-låsende / Non-Locking	56.1515-500-XXX
Nøglekode / Keyed 3333	56.1515-503-XXX

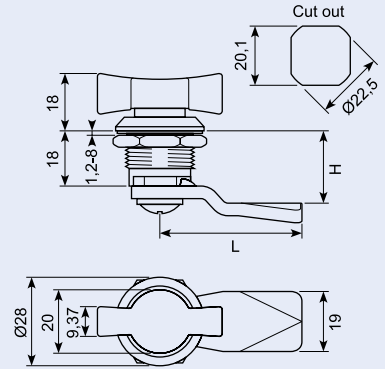


T-greb / T-handle

PA = Nylon PA6 6FR30



XXX = uden tunge
 Tungler: side 37 - 38
 XXX = without cam
 Cams: page 37 - 38

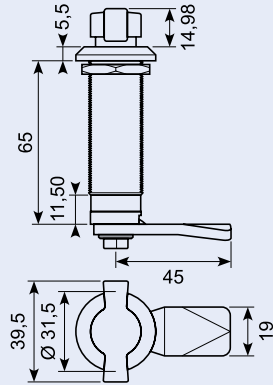


Hus: PA T-greb: PA Housing: PA Wing Knob: PA	Hus: PA T-greb: PA på støbt zink Housing: PA Wing Knob: PA over Zinc Die	Hus: sortmalet støbt zink T-greb: PA på støbt zink Housing: Zinc Die, black coated Wing Knob: PA over Zinc Die	Med tungler / With cams
56.1001-200-XXX	56.1001-220-XXX *	56.1011-320-XXX *	Nej / no
	56.1001-220-226 H=26		Ja / yes

56.1126-295-218

Zink hus+ Nylon 1011A T-greb
 Flad tunge L=45mm
 Huslængde H/h = 64.5mm

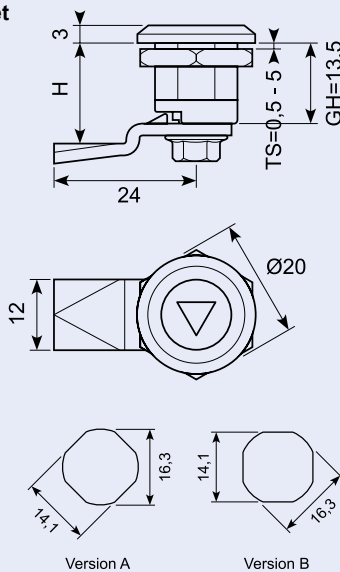
Zinc housing + Nylon 1011A T-handle
 Straight cam L=45mm
 Housing length H/h = 64.5mm



Kvartomdrejnings-mini-T-greb / Mini Wing Knob Quarter Turn

Hus: Sort trykstøbt zink, forkromet eller sortmalet
 Indlæg: Sort trykstøbt zink, forkromet eller sortmalet
 Møtrik: trykstøbt zink, galvaniseret
 Tunge: Galvaniseret stål
 XXX = uden tunge. Tungler: side 37 - 38

Housing: Zinc Die, Black coated or Chrome plated
 Insert: Zinc Die, Black coated or Chrome plated
 Nut: Zinc Die, zinc plated
 Cam: Steel, zinc plated
 XXX = without cam. Cams: page 37 - 38



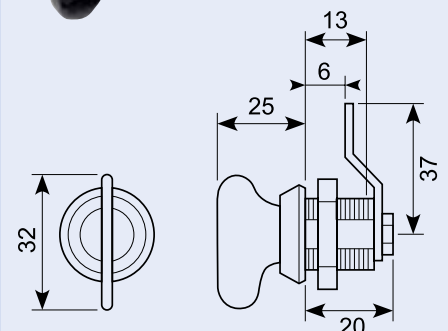
GH=13,5

	Chrome Plated	Black Coated	Med tungler / with cams
Version A Cutout	56.1825-204-XXX	56.1825-304-XXX	Nej / no
Version B Cutout	56.1824-204-XXX *	56.1824-304-XXX *	Nej / no
		56.1825-304-602 H=13,5	Ja / yes

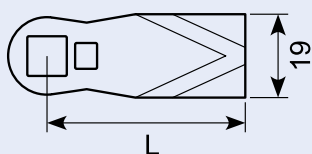
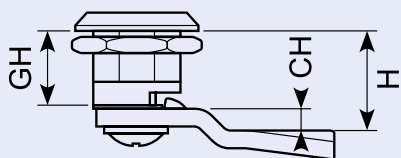
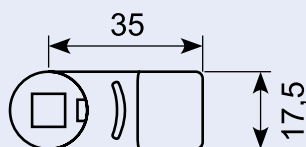
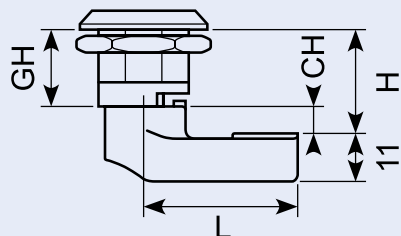
16.363

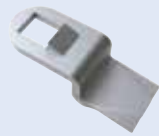
Handskerumslås med rund front og en
 sortlakeret fast nøgle.


Compartment lock with rounded tongue and
 black coated fixed key.






Tunger / Cams





	Varenummer	XXX	CH (mm)	L (mm)	GH=13,5 H (mm)
	56.1900-604	604	-6	24	7,5
	56.1900-602	602	0	24	13,5
	56.1900-603	603	6	24	19,5

	Varenummer	XXX	CH (mm)	L (mm)	GH=13,5 H (mm)
	56.1900-704	704	-6	24	7,5
	56.1900-702	702	0	24	13,5
	56.1900-705S *	705S	1,5	30	15
	56.1900-703	703	6	24	19,5

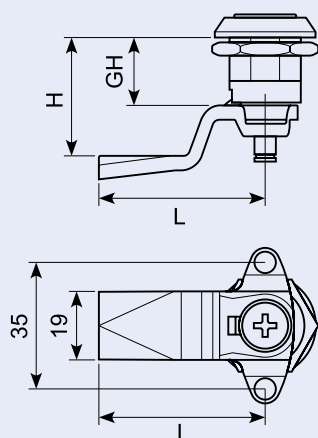
	Varenummer	XXX	CH (mm)	L (mm)	GH=15 H(mm)	Gh=18 H(mm)	Gh=20 H(mm)	Gh=30 H(mm)	Gh=40 H(mm)	Gh=50 H(mm)	Gh=60 H(mm)
	56.1900-101*	101	0	35	15	18	30	30	40	50	60
	56.1900-102*	102	4	35	19	22	24	34	44	54	64
	56.1900-104*	104	4	40	19	22	24	34	44	54	64
	56.1900-103*	103	6	35	21	24	26	36	46	56	66
	56.1900-105*	105	6	40	21	24	26	36	46	56	66

	Varenummer	XXX	CH (mm)	L (mm)	GH=15 H(mm)	Gh=18 H(mm)	Gh=20 H(mm)	Gh=30 H(mm)	Gh=40 H(mm)	Gh=50 H(mm)	Gh=60 H(mm)
 	56.1900-316*	316	-2	35	13	16	18	28	38	48	58
	56.1900-318*	318	0	35	15	18	20	30	40	50	60
	56.1900-320*	320	2	35	17	20	22	32	42	52	62
	56.1900-322*	322	4	35	19	22	24	34	44	54	64
	56.1900-324*	324	6	35	21	24	26	36	46	56	66
	56.1900-325*	325	7	35	22	25	27	37	47	57	67
	56.1900-326*	326	8	35	23	26	28	38	48	58	68
	56.1900-328*	328	10	35	25	28	30	40	50	60	70
	56.1900-330*	330	12	35	27	30	32	42	52	62	72

	Varenummer	XXX	CH (mm)	L (mm)	GH=15 H(mm)	Gh=18 H(mm)	Gh=20 H(mm)	Gh=30 H(mm)	Gh=40 H(mm)	Gh=50 H(mm)	Gh=60 H(mm)
 	56.1900-204	204	-14	45	1	4	6	16	26	36	46
	56.1900-206	206	-12	45	3	6	8	18	28	38	48
	56.1900-210	210	-8	45	7	10	12	22	32	42	52
	56.1900-212	212	-6	45	9	12	14	24	34	44	54
	56.1900-214	214	-4	45	11	14	16	26	36	46	56
	56.1900-218	218	0	45	15	18	20	30	40	50	60
	56.1900-218S	218	0	55	15	18	20	30	40	50	60
	56.1900-220	220	2	45	17	20	22	32	42	52	62
	56.1900-222	222	4	45	19	22	24	34	44	54	64
	56.1900-224	224	6	45	21	24	26	36	46	56	66
	56.1900-225	225	7	45	22	25	27	37	47	57	67
	56.1900-226	226	8	45	23	26	28	38	48	58	68
	56.1900-227	227	9	45	24	27	29	39	49	59	69
	56.1900-228	228	10	45	25	28	30	40	50	60	70
	56.1900-230	230	12	45	27	30	32	42	52	62	72
	56.1900-234	234	16	45	31	34	36	46	56	66	76
	56.1900-235	235	17	45	32	35	37	47	57	67	77
	56.1900-236	236	18	45	33	36	38	48	58	68	78
	56.1900-242	242	24	45	39	42	44	54	64	74	84
	56.1900-244	244	26	45	41	44	46	56	66	76	86

* Skaffevare / Special order item

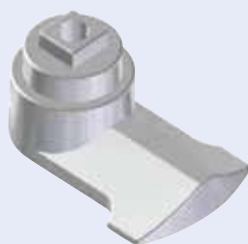
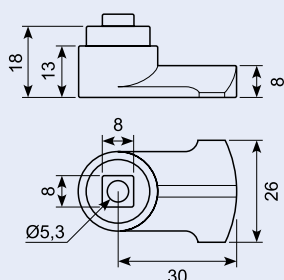
Tunger / Cams



	Varenummer	XXX	CH (mm)	L (mm)	GH=15 H(mm)	GH=18 H(mm)	GH=20 H(mm)	GH=30 H(mm)	GH=40 H(mm)	GH=50 H(mm)	GH=60 H(mm)
	56.1900-155	418	0	55	15	18	20	30	40	50	60
	56.1900-418	418	0	45	15	18	20	30	40	50	60
	56.1900-420 *	420	2	45	17	20	22	32	42	52	62
	56.1900-422 *	422	4	45	19	22	24	34	44	54	64
	56.1900-424 *	424	6	45	21	24	26	36	46	56	66
	56.1900-425 *	425	7	45	22	25	27	37	47	57	67
	56.1900-426 *	426	8	45	23	26	28	38	48	58	68
	56.1900-428 *	428	10	45	25	28	30	40	50	60	70
	56.1900-430 *	430	12	45	27	30	32	42	52	62	72
	56.1900-432 *	432	14	45	29	32	34	44	54	64	74

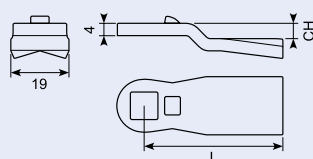
	Varenummer	XXX	CH (mm)	L (mm)	GH=60 H(mm)
	56.1900-801	801	0	53,5	20
	56.1900-802	802	0	85	20
	56.1900-803 *	803	1	53,5	21
	56.1900-804	804	6	63	26
	56.1900-805	805	13,5	76	33,5
	56.1900-806 *	806	8	50	28

H=25 mm Metal Cam

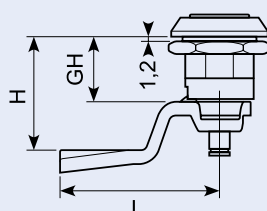


Varenummer	56.1900-605 *
------------	---------------

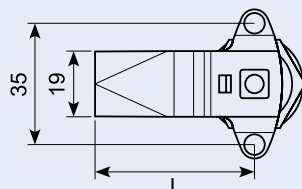
Stainless Steel Cams AISI 304



	Varenummer	XXX	CH (mm)	L (mm)	GH=60 H(mm)
	56.5900-206 *	5206	-12	45	6
	56.5900-210 *	5210	-8	45	10
	56.5900-214 *	5214	-4	45	14
	56.5900-218	5218	0	45	18
	56.5900-220 *	5220	2	45	20
	56.5900-222 *	5222	4	45	22
	56.5900-224 *	5224	6	45	24
	56.5900-226 *	5226	8	45	26
	56.5900-228	5228	10	45	28



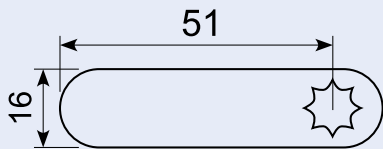
	Varenummer	XXX	CH (mm)	L (mm)	GH=60 H(mm)
	56.5900-422 *	5422	4	45	22
	56.5900-428 *	5428	10	45	28



16.370

Låsepal, afrundet og plan. EL-galvaniseret. Stjernehul til 8 mm firkant.

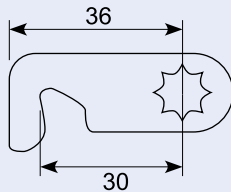
Locking pawl, rounded and straight. Star hole for 8 mm square. EL-galvanized.



16.367

Plan låsepal med hage, i EL-galvaniseret jern og stjernehul til 8 mm firkant.

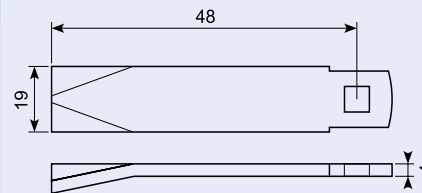
Locking pawl with hook. EL-galvanized. Star hole for 8 mm square.



16.369

Låsepal med bøjede hjørner. EL-galvaniseret og firkant hul til 8 mm firkant.

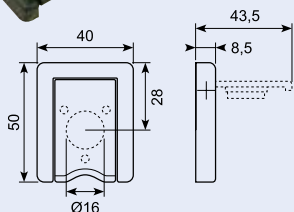
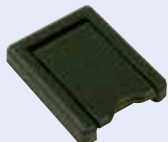
Locking pawl with bent corners. EL-galvanized and square hole for 8 mm square key.



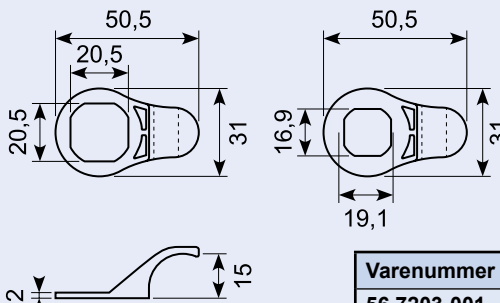
17.62583

Nøglehulsbeskytter - P144.

Keyhole protection - P144.



Finger greb / Finger Pull

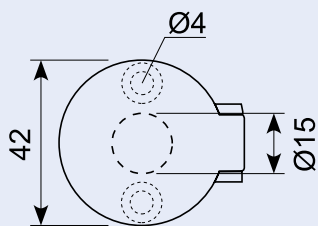


Varenummer	Applicable Cutouts
56.7203-001	20,1 x 22,5
56.7203-002	14,1 x 16,3 19,1 x 16,6

17.622

Nøgleskilt med klap.

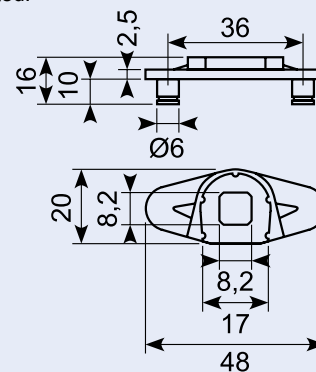
Key plate. Chrome plated ZN.



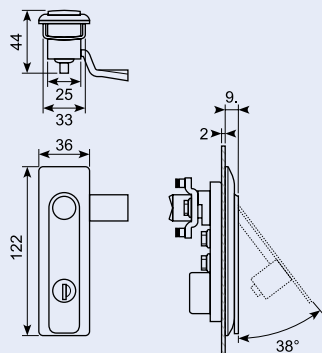
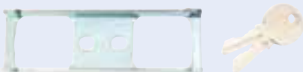
56.2900-405

Tungeadapter. Zinkstøbt, galvaniseret.

Cam Adapter. Zinc-die, zinc plated.



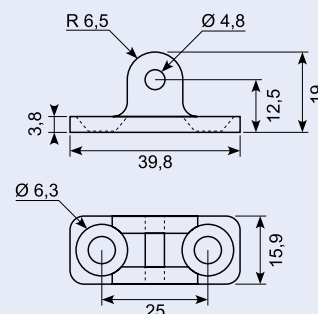
56.2102-113-XXX **



56.8513-001

Roller catcher. Zinkstøbt, rå

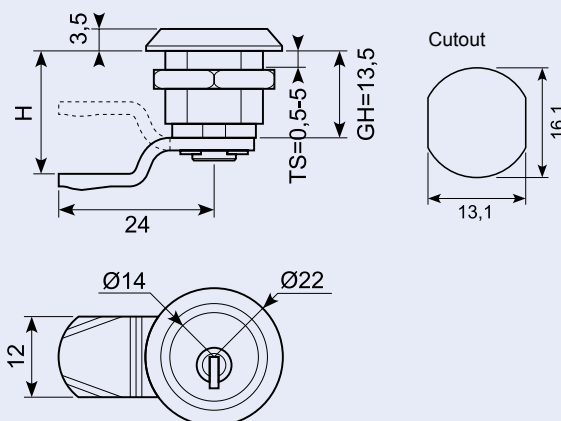
Roller Catcher. Zinc-die, Raw



Mini kvartomdrejningslås med cylinder / Mini Quarter Turn with Cylinder

Hus: Trykstøbt zink, sortmalet eller forkromet
Indlæg: Trykstøbt zink, sortmalet eller forkromet
Møtrik: Trykstøbt, galvaniseret
Tunge: Stål, galvaniseret
Tunger: 56.1900-7XX / 56.1900-8XX side 37 - 38.

Housing: Zinc Die, Black coated or Chrome plated
 Insert: Zinc Die, Black coated or chrome plated
 Nut: Zinc Die, zinc plated
 Cam: Steel, zinc plated
 Cams: 56.1900-7XX / 56.1900-8XX page 37 - 38.



Mini kvartomdrejningslås med cylinder / Mini Quarter Turn with Cylinder GH=13,5

	Chrome Plated	Black Coated
Nøglekode / Keyed 2222	56.1890-910-XXX	
Forskellige koder / Keyed Differ	56.1890-919-XXX *	

Kvartomdrejningslås med cylinder / Quarter Turn with Cylinder

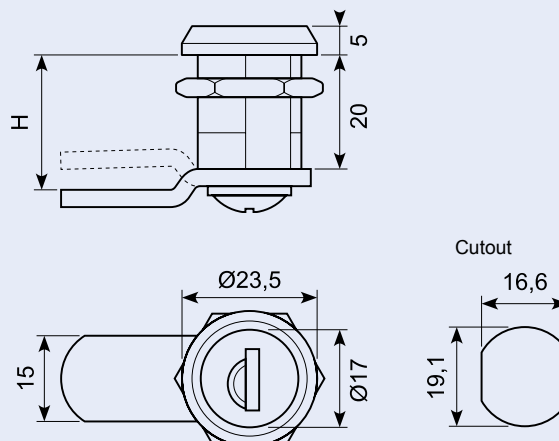
Hus: Forkromet eller sortmalet
Møtrik: Støbt zink, galvaniseret
Tunge: Stål, galvaniseret

Muligheder

Tunger: 56.1900-5XX
 XXX = uden tunge

Housing: Chrome plated or black coated
 Nut: Zinc die, zinc plated
 Cam: Steel, zinc plated

Options
 Cams: 56.1900-5XX
 XXX = without cam



Kvartomdrejningslås med cylinder GH = 20

Quarter Turn with Cylinder GH = 20

Uden tunge / Without cam

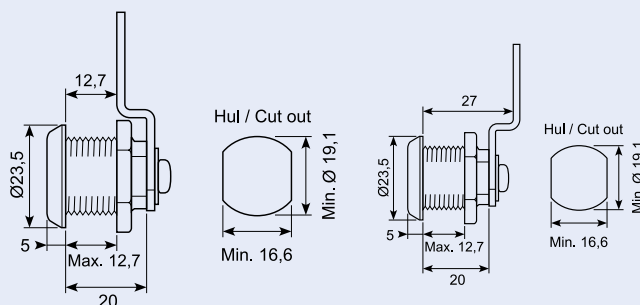
	Forkromet Chrome Plated	Sortmalet Black Coated
Nøglekode / Keyed 3333	56.1004-910-XXX *	56.1004-920-XXX *
Enslukkende / Keyed Same	56.1004-917-XXX *	56.1004-927-XXX *
Forskellige koder med hovednøgle Keyed Differ with Master System	56.1004-918-XXX *	56.1004-928-XXX *

Tunger / Cams

56.1900-512,7	517,7	20	12,7	-7,3
56.1900-516,5	516,5	20	16,5	-3,5
56.1900-520	520	35	20	0
56.1900-520S	520S	45	50	0
56.1900-520S1	520S1	32	20	0
56.1900-523,5	523,5	20	23,5	3,5
56.1900-524	524	39	24	4
56.1900-527	527	20	27	7

Med tunge / With cam

	Forkromet Chrome Plated	Højde Height
Keyed 3333	56.1004-910-512.7	H = 12,7
Keyed 3333	56.1004-910-527	H = 27



Nylon omdrejningslås med cylinder / Nylon Quarter Turn with Cylinder

Hus: Polyamid (PA6 GFR30), sort trykstøbt zink, forkromet eller sortmalet

Møtrik: Plast eller trykstøbt zink, galvaniseret

Tunge: Plast eller trykstøbt zink, galvaniseret

XXX = uden tunge. Tunger: side 37 - 38.

Housing: Polyamide (PA6 GFR30), black Zinc Die, Chrome plated or Black coated

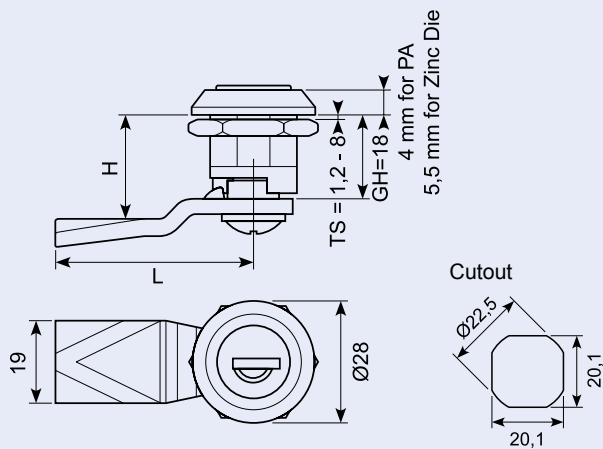
Nut: Plastic or zinc Die, zinc plated

Cam: Plastic or zinc Die, zinc plated

XXX = without cam. Cams: page 37 - 38.



PA6 = Nylon GFR30



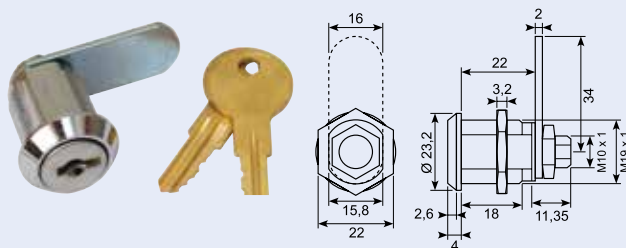
Nylon omdrejningslås med cylinder / Nylon Quarter Turn with Cylinder GH=18

	PA	Støbt zink / Zinc die Forkromet / Chrome Plated	Støbt zink / Zinc die Sortmalet / Black Coated
Nøglekode / Keyed 3333	56.1001-900-XXX	56.1011-910-XXX *	56.1011-920-XXX *
Enslukkende / Keyed Same	56.1001-907-XXX *	56.1011-917-XXX *	56.1011-927-XXX *
Forskellige koder / Keyed Differ	56.1001-909-XXX	56.1011-919-XXX *	56.1011-929-XXX *
Forskellige koder med hovednøgle Keyed Differ with Master Key	56.1001-908-XXX *	56.1011-918-XXX *	56.1011-928-XXX *

16.403

Kabinetlås med flad tunge. 2 nøgler og endemøtrik. 200 nøglekombinationer. (Alternativ 16.403X-21).

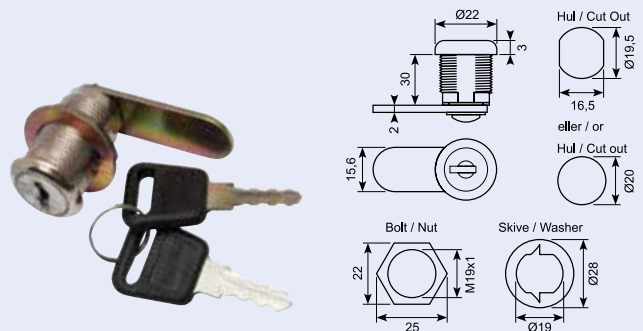
Alloy cam lock. Flat tongue. 2 keys and end nut. 200 combinations. (Alternative 16.401X-21).



16.405X-30

Kabinetlås med flad tunge. 180 låsekombinationer.

Cabinet lock. Flat tongue. 180 key combinations.



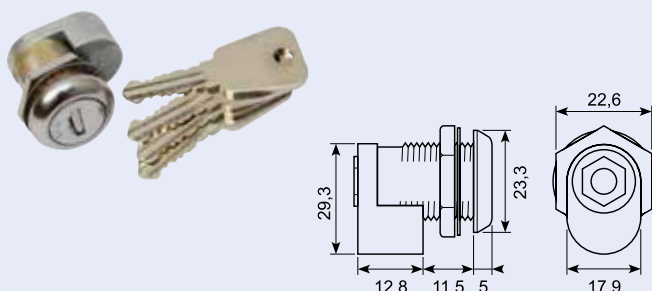
15.537J-5

Låsecylinder inkl. 4 nøgler.

(10 ens koder x 250 kombinationer. Skaffevare min. 2.500 stk.)

Lock cylinder with 4 keys.

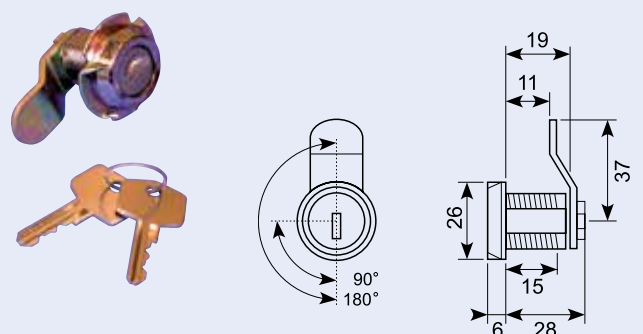
(10 codes alike x 250 combinations. On demand min. 2.500 pcs.)



16.362S

Handskerumslås.

Compartment lock.



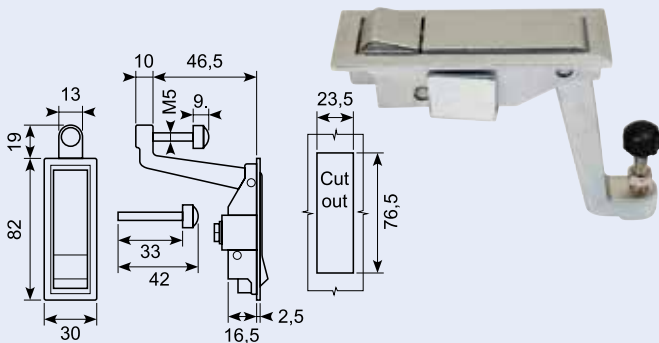
* Skaffevare / Special order item

00032-7-k201810 - SINDBY HARDWARE 7

Godt køb / best buy

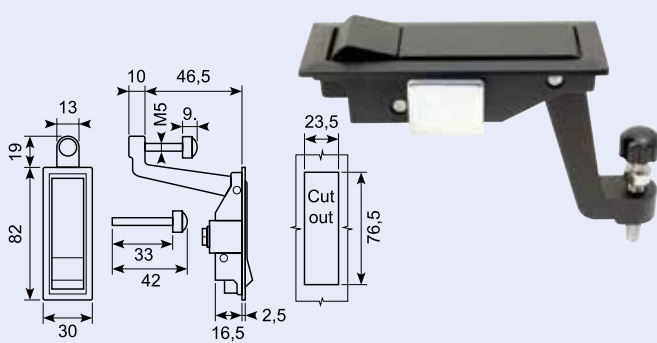
16.510

Kabinetlåse. Galvaniseret med galvaniseret u-beslag.
Compartment lock. Zinc plated with zinc plated u-bracket.



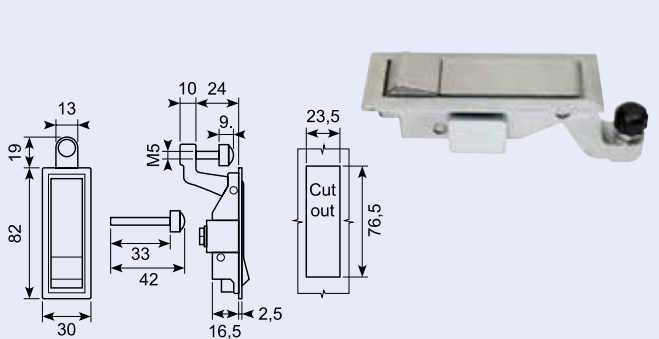
16.510S

Kabinetlåse. Galvaniseret. Uden nøgler. Sort.
Compartment lock. Zinc plated. No key. Black.



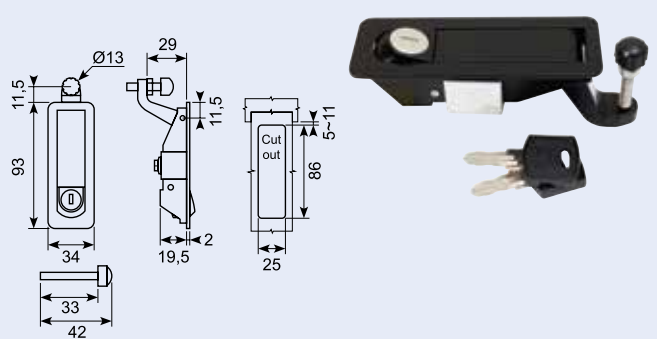
16.512

Kabinetlåse. Galvaniseret med galvaniseret u-beslag.
Compartment lock. Zinc plated with zinc plated u-bracket.



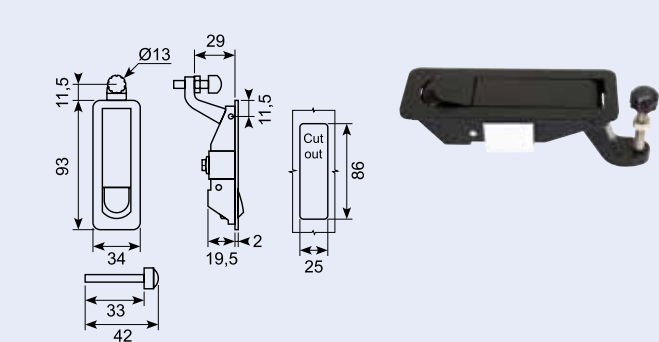
16.514

Kabinetlåse med 6 kt nøgle. Sort med galvaniseret u-beslag.
Compartment lock. Black coated with zinc plated u-bracket.



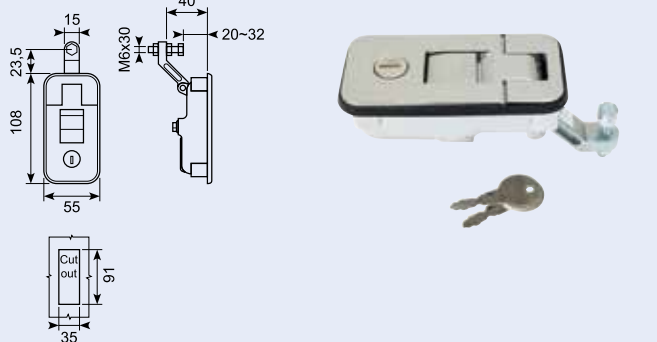
16.516

Kabinetlåse. Uden nøgler, sort med galvaniseret u-beslag.
Compartment lock. No key. Black zinc plated u-bracket.



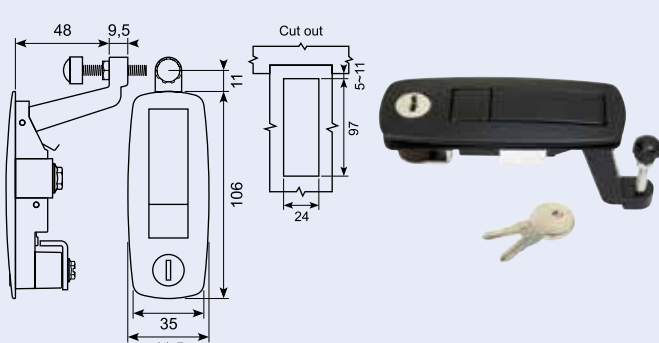
16.521

Kabinetlåse. Kromhus med galvaniseret u-beslag.
Compartment lock. Chrome housing with zinc plated u-bracket.



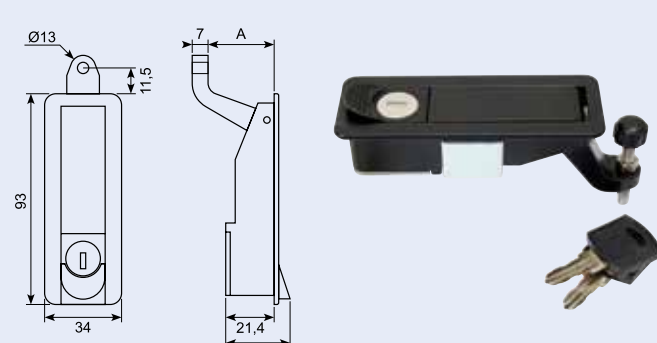
16.519

Kabinetlåse. Sort med galv. u-beslag.
Cabinet lock. Black coated with zinc plated bracket.



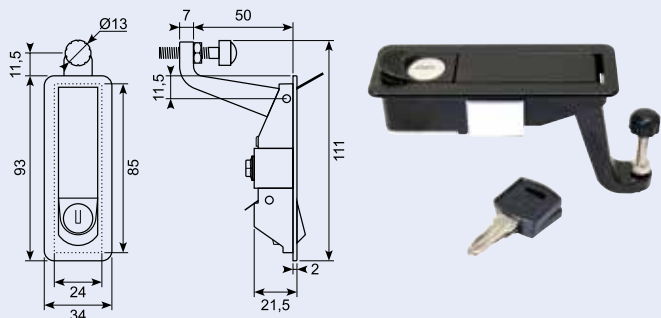
16.514A

Kabinetlåse. Sort. med galv. u-beslag.
Cabinet lock. Black coated w/zinc plated bracket.



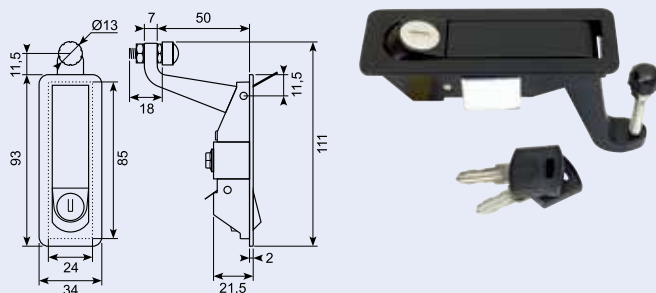
16.515A

Kabinetlås. Sort med galv. u-beslag.
Cabinet lock. Black coated with zinc plated bracket.



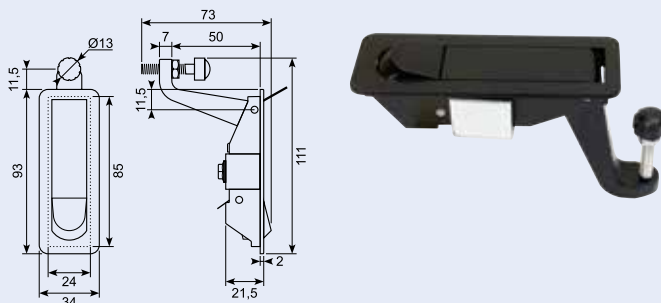
16.515

Kabinetlås. Sort med galv. u-beslag.
Cabinet lock. Black coated with zinc plated bracket.



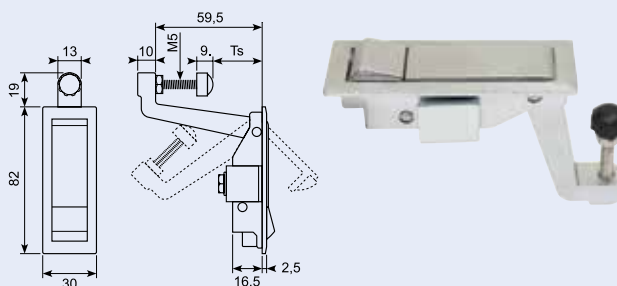
16.517

Kabinetlås. U/nøgle. Sort med galv. u-beslag.
Cabinet lock. No key, black with zinc plated bracket.



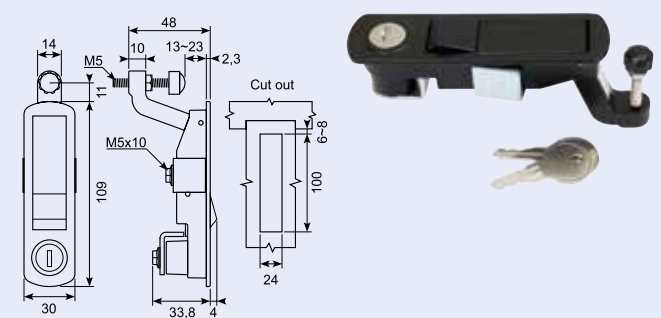
16.511

Kabinetlås. Galv. med galv. u-beslag.
Cabinet lock. Black coated with zinc plated bracket.



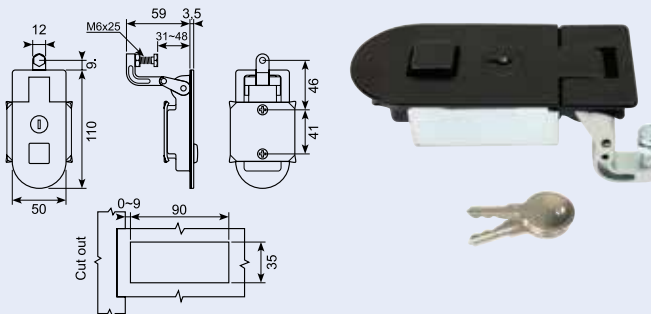
16.513

Kabinetlås. Sort. med galv. u-beslag.
Cabinet lock. Black coated with zinc plated bracket.



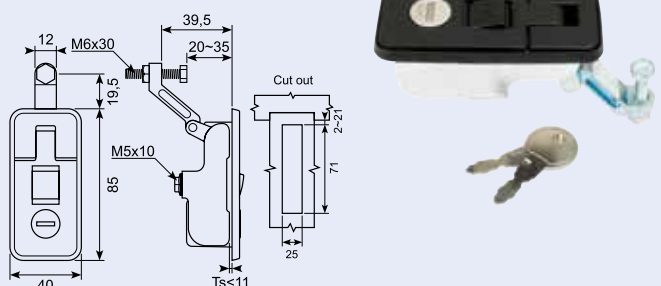
16.520

Kabinetlås. Sort med galv. u-beslag.
Cabinet lock. Black with zinc plated u-bracket.



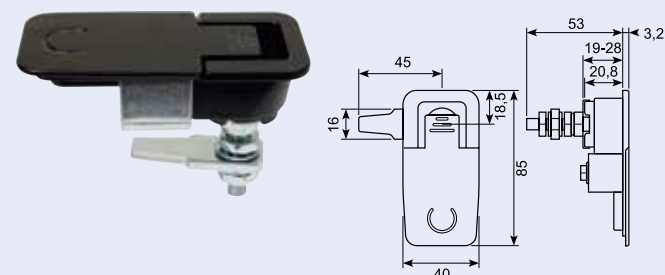
16.518

Kabinetlås. Sort hus med galv. u-beslag.
Cabinet lock. Black house with zinc plated bracket.



16.501

Lift and turn lås. Cut out 73 x 30. Justerbar cam. Sort pulverlakeret med tunge.
Lift and turn lock. Cut out 75 x 30. Adjustable cam. Black coated.



56.1000-518

Sort nøgle.
Black key.



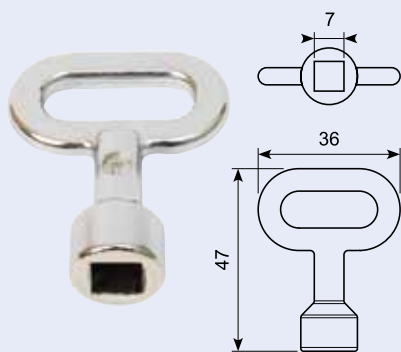
56.1000-517

Sort nøgle.
Black key.



56.1000-820

47 x 36 mm nøgle. 7 mm firkant. Krom.
47 x 36 mm key. 7 mm square. Chrome.



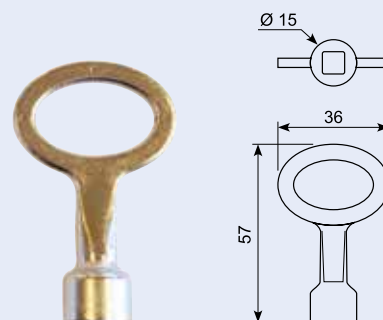
56.1000-620

81 x 50 mm nøgle. 7 mm firkant. Krom.
81 x 50 mm key. 7 mm square. Chrome.



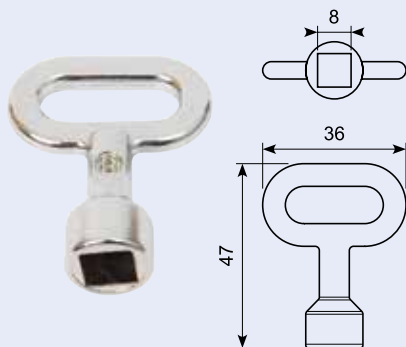
16.410-1XS

Forkromet nøgle. 7 mm firkant.
Udgår erstattes af 56.1000-820
Key, chrome. 7 mm square.



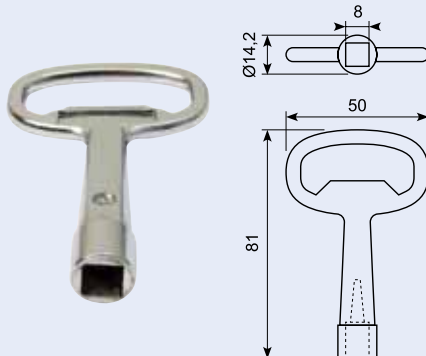
56.1000-814

47 x 36 mm nøgle. 8 mm firkant. Krom.
47 x 36 mm key. 8 mm square, chrome.



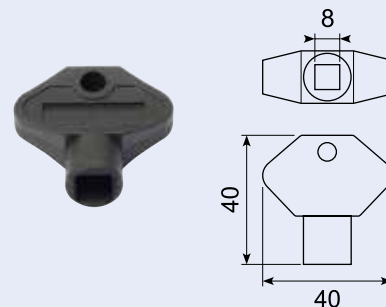
56.1000-614

81 x 50 mm nøgle. 8 mm firkant. Krom.
81x50 mm key. 8 mm square. Chrome.



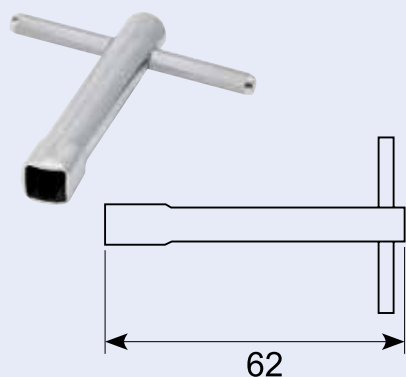
56.1000-504

Nylon nøgle. PA.
Nylon key. PA.



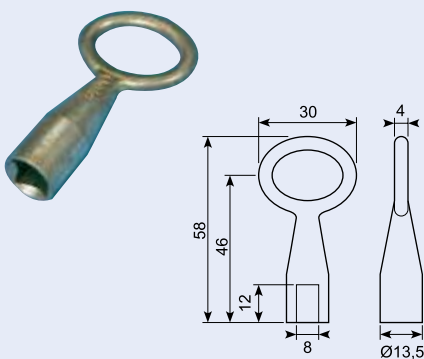
16.382N

Nøgle til firkantlås. 8 mm firkant.
Key for square-drive lock. Steel, 8 mm square.



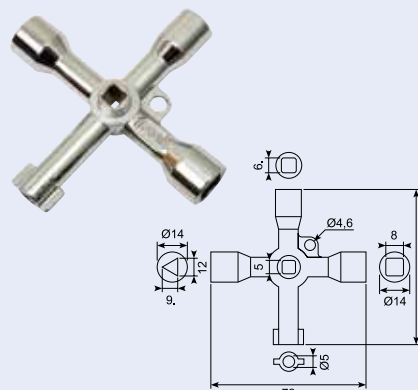
18.0956170

Skabsnøgle. 8 mm firkant.
DSB-model udv. kun 13,5 mm.
Locker key. 8 mm square. Diameter only 13,5 mm.



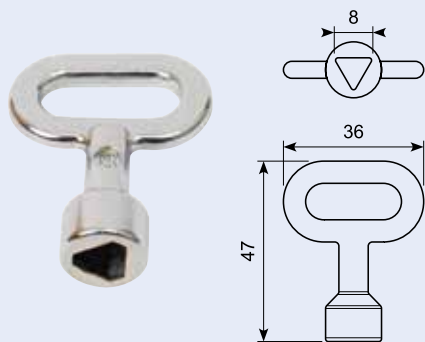
18.095646X

Stjernenøgle multi galv. T9-6FK-8FK-D5.
Multi key zinc plated. T9-6 mm square 8 mm. Square D5 bit.



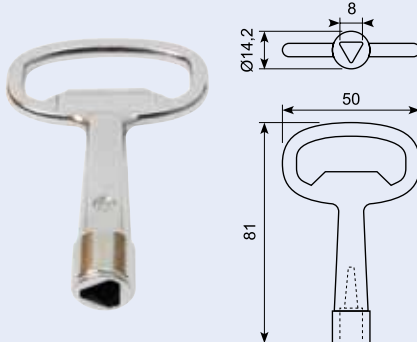
56.1000-813

47 x 36 mm nøgle. 8 mm trekant. Krom.
47 x 36 mm key. 8 mm triangle. Chrome.



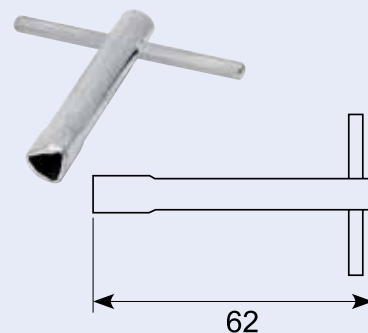
56.1000-613

81 x 50 mm nøgle. 8 mm trekant. Krom.
81 x 50 mm key. 8 mm triangle. Chrome.



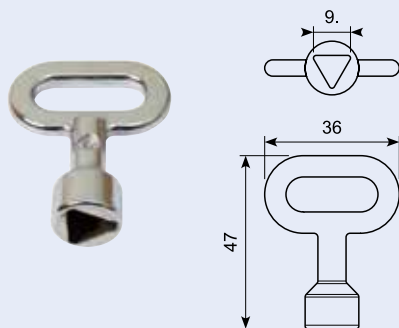
16.381N

Nøgle til trekantlås. 8 mm trekant.
Key for tri-lock, steel. 8 mm for 16.381.



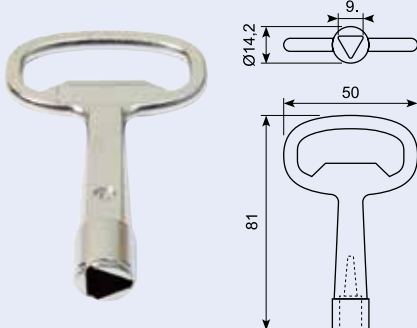
56.1000-821

Krom nøgle.
Chrome key.



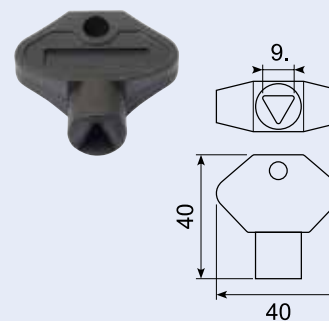
56.1000-621

81 x 50 mm nøgle 9 mm trekant. Krom.
81 x 50 mm key 9 mm triangle. Chrome.



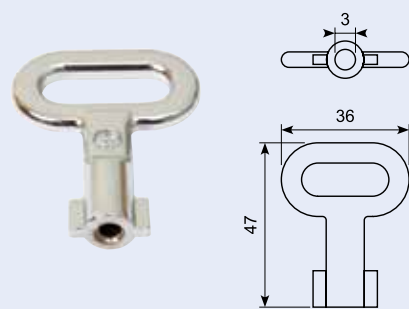
56.1000-521P

Nylon nøgle.
Nylon key.



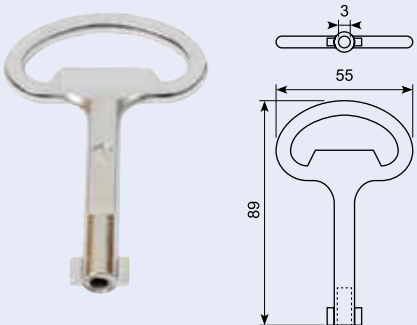
56.1000-811

Krom nøgle.
Chrome key.



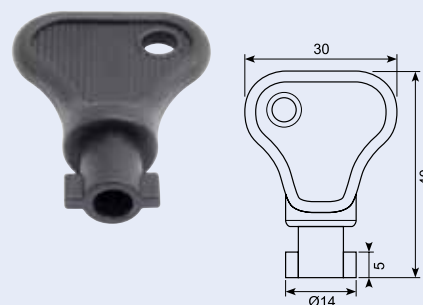
56.1000-612

89 x 55 mm nøgle. 3 mm bits. Krom.
89 x 55 mm key. 3 mm bits. Chrome.



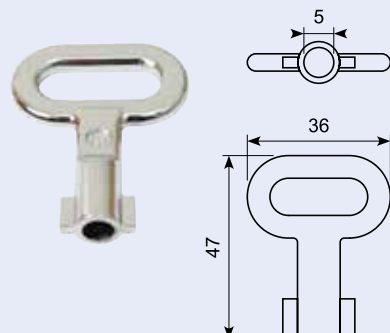
16.415-1XPA

Nylnøgle. 5 mm bits. Udgår erstattes af
56.1000-502.
Key, nylon. 5 mm bits.



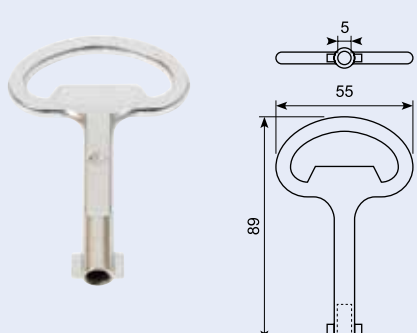
56.1000-812

Krom nøgle.
Chrome key.



56.1000-611

89 x 55 mm nøgle. 5 mm bits. Krom.
89 x 55 mm key. 5 mm bits. Chrome.



56.1000-502

40 x 40 mm nøgle. 5 mm bits.
Nylon PA6.
40 x 40 mm key double bit 5 mm. Nylon
PA6, black.

