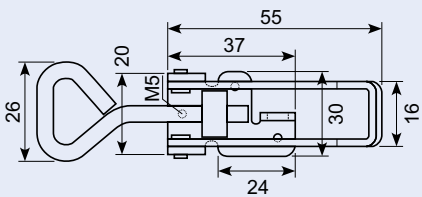
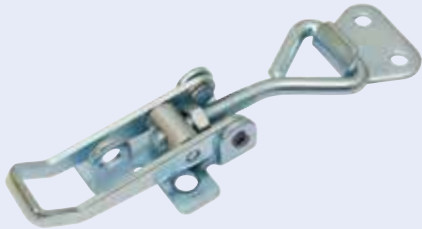


18.125

Excenterlukker m. bøjle til hængelås. Galvaniseret. Justérbar 70 - 82 mm. Inkl. modhold.

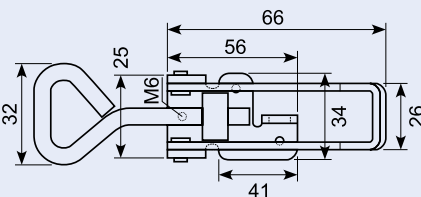
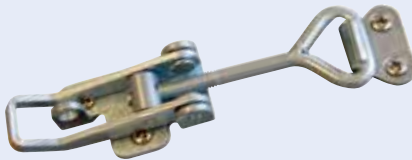
Side board latch with shackle for padlock with backstop. Hole for padlock. Stainless steel, zinc plated. Adjustable 70-82 mm.



18.125X

Galvaniseret excenterlukker med hul til hængelås. Inkl. modhold. 103 - 118 mm. Armlængde: 80 mm.

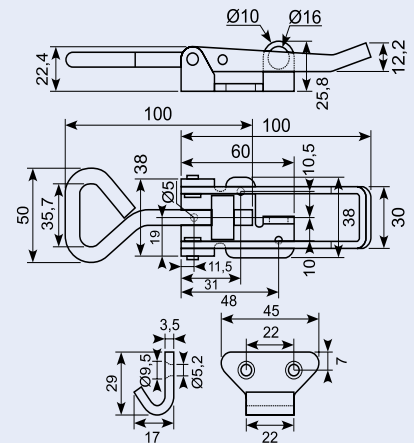
Zinc plated latch with hole for padlock with catch plate. 103 - 118 mm. Arm length: 80 mm.



18.126

Excenterlukker m. bøjle til hængelås. Justérbar 155 - 170 mm. Inkl. hjertekrog 44,5 x 21 mm. Galvaniseret.

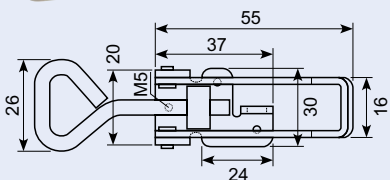
Side board latch with shackle for padlock with backstop. Adjustable 155-170 mm. Incl. heart hook 44.5x21 mm. Zinc plated.



18.125SS304

Excenterlukker med bøjle til hængelås. Inkl. modhold. SS304. 70 - 82 mm.

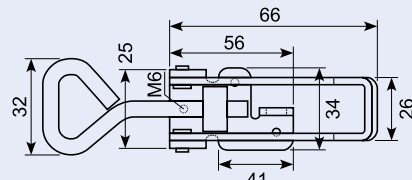
Side board latch 70-82 mm. SS304. Shackle for padlock, incl. catcher.



18.125XSS304

Excenterlukker med bøjle til hængelås. Inkl. modhold. SS304. 103 - 118 mm.

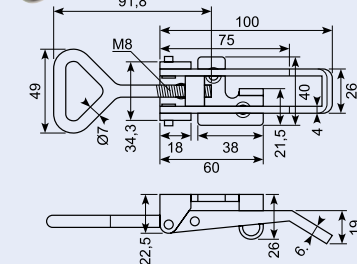
Side board latch 103 - 118 mm. SS304. Shackle for padlock, incl. catcher.



18.126SS304

Excenterlukker 155-170 mm SS304. Bøjle til hængelås.

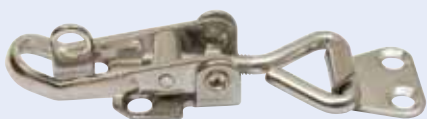
Side board latch 155 - 170 mm. SS304. Shackle for padlock.



63.051990J

Spændeoverfald 70-82 mm. Rustfri stål incl. låsehage. SS316. Alternativ: 18.125SS304.

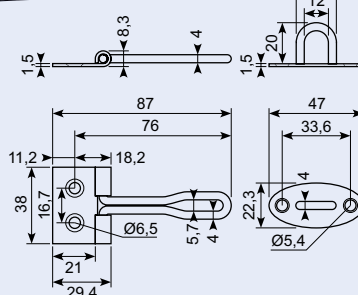
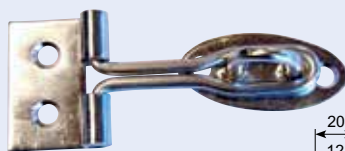
Buckle fastener 70-82 mm. Stainless steel SS316. Incl. lock hook. Alternative: 18.125SS304.



50.13368

Rustfri/syrefast 316 overfald. Electro polished.

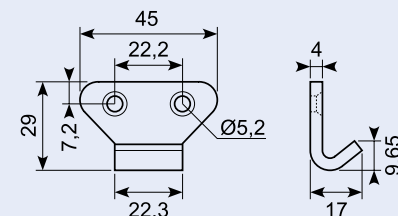
Stainless acid-proof. 316. Electro polished.



18.126SS304-1

Modhold til 18.126SS304. Rustfri 304.

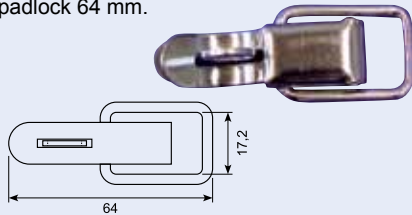
Catch plate for 18.126SS304. Stainless 304.



18.128

Rustfri excenterlukker m. hul til lås. (Modhold evt. 18.129). 11 mm. Længde: 64 mm.

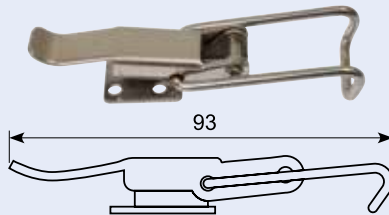
Little stainless side board latch. Hole for padlock 64 mm.



18.127

Rustfri excenterlukker m. bøjle. (Modhold evt. 18.129). 11 mm.

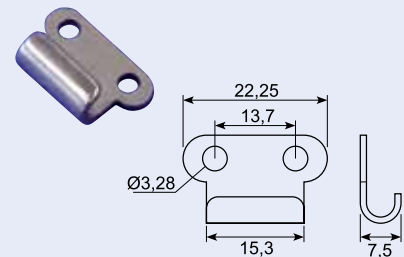
Big side board latch with shackle. No catcher included. No name.



18.129

Rustfri modhold med 2 huller SS304.

Catch plate with 2 holes. Stainless SS304.



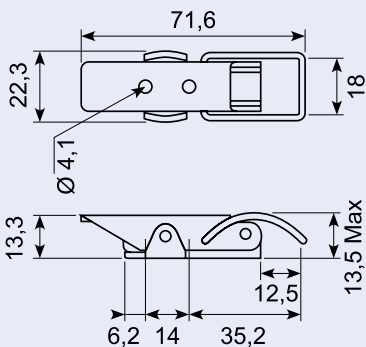
18.130

Rustfri excenterlukker med bøjle. 71,6 mm ss304 (27-633). Brug modhold 18.129.

Stainless side board latch with hanger. 71.6 mm, SS304 (27-633).

Modhold / catch plate

18.129



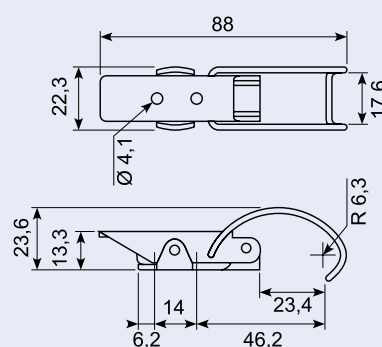
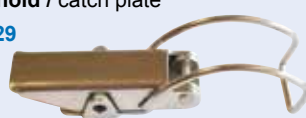
18.131

Rustfri excenterlukker med stor bøjle. 88 mm ss304 (27-645). Brug modhold 18.129.

Stainless side board latch with big shackle. 88 mm SS304 (27-645). Use catcher 18.129..

Modhold / catch plate

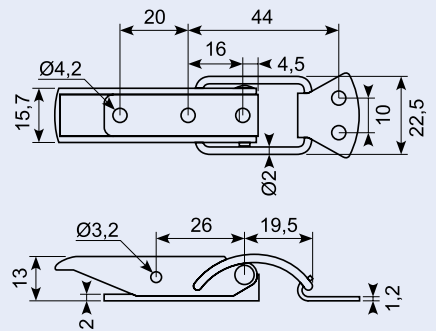
18.129



18.138

Rustfri excenterlukker m/bøjle med hul til split med modhold.

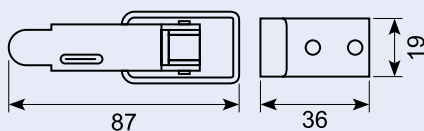
Side board latch with shackle and hole for split. Catch plate included.



18.121

Lukkebeslag rustfri incl. hage. SS316 87mm. Modhold. Bredde 19 mm. Længde 36 mm. Højde 13,4 mm.

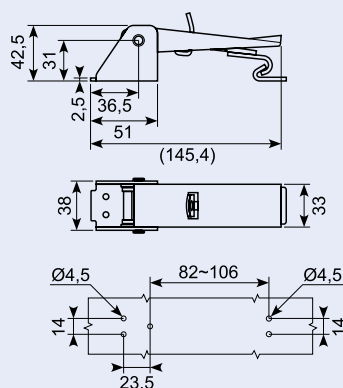
Fastener stainless incl. catch plate. SS316. Catch plate. Width 19 mm. Length 36 mm. Height 13,4 mm.



18.141

Galvaniseret excenterlukker. Synlig fod med øje til hængelås. Justerbar med modhold.

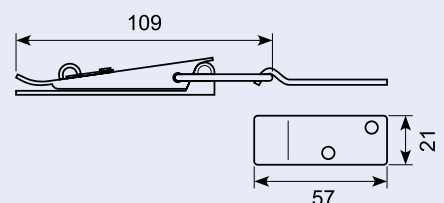
Zinc plated side board latch. Visible base with eye for lock. Adjustable and catch plate included.



50.14832

Excenterlukker 109 mm galv m/ overfaldshage + modhold 103g + 20g

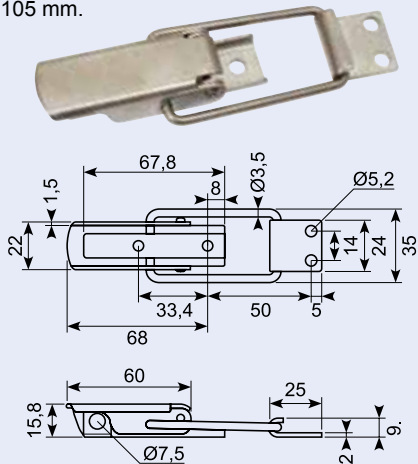
Side board latch 109 mm. Zinc plated. Catch plate included. 103g + 20g.



18.152

Rustfri snablås med bøjle SS304 inkl. modhold længde med bøjle 105 mm.

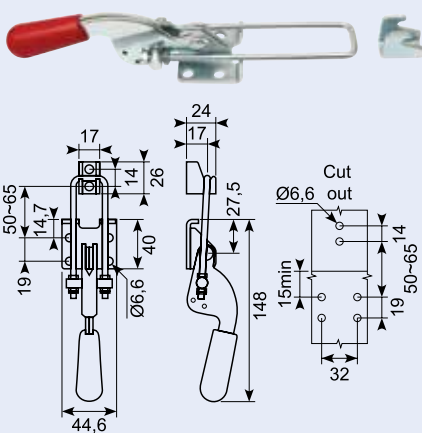
Stainless fastener with shackle. SS304. Catch plate included. Length with shackle 105 mm.



18.144

Galvaniseret lukker rød håndtag m/ modhold Justerbar Ø4.3mm bøjle.

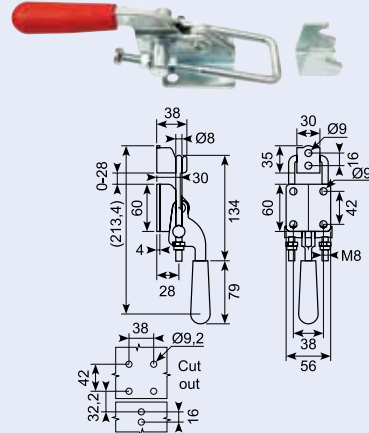
Zinc plated red handle with catch plate. Adjustable shackle. Ø 4,3 mm.



18.143

Galvaniseret lukker rød håndtag med modhold 213,4 mm justerbar Ø8 bøjle.

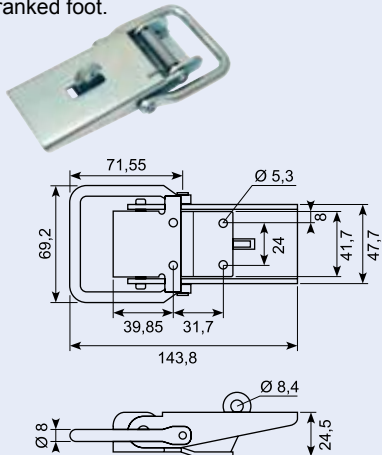
Zinc plated red handle with catch plate. Adjustable shackle. 213,4 mm. Ø 8 mm shackle.



50.14405

Galvaniseret lukker med øje til hængelås og forkrøbet fod.

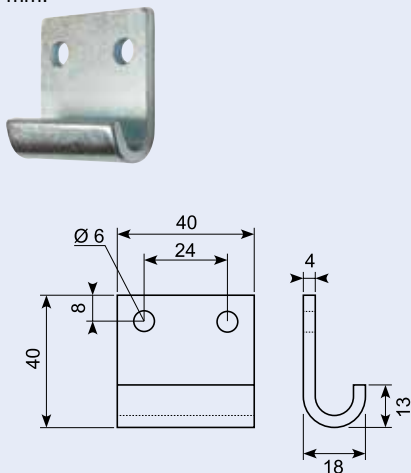
Zinc plated shutter with eye for padlock and cranked foot.



50.14405-1

Galvaniseret fladt modhold.

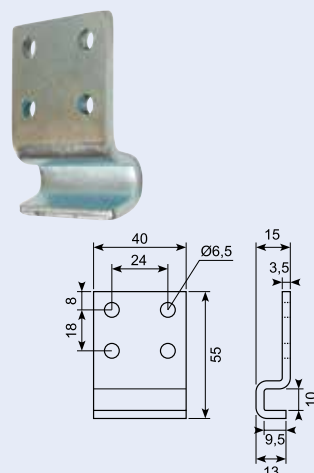
Catch plate flat, zinc plated. Hook width 40 mm.



50.14405-2

Galvaniseret forkrøbet modhold.

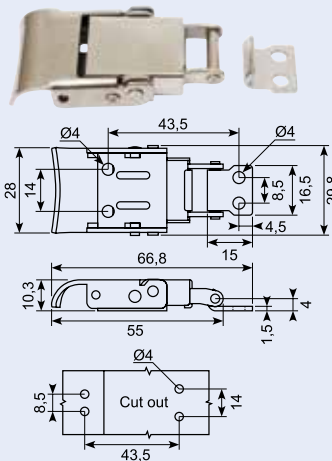
Catch plate zinc plated, cranked. Hook width 40 mm.



18.135

Rustfri lukker med bøjle. 55 mm med bøjle og modhold. Fjederbelastet bøjle med 3 indiv. fjedre.

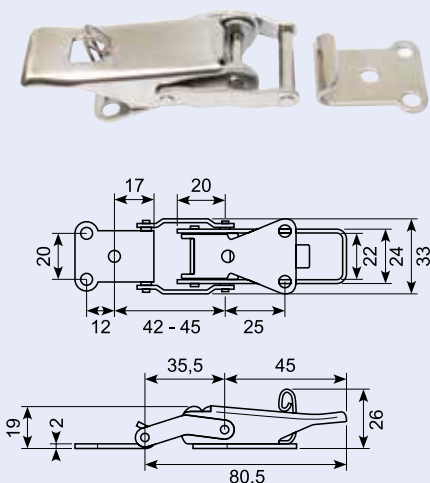
Stainless snap lock w/shackle. 55 mm with shackle + catcher. Spring loaded shackle with 3 inner springs.



18.133

Rustfri excenterl.m/ bøjle. 80.5 mm SS304 med modhold.

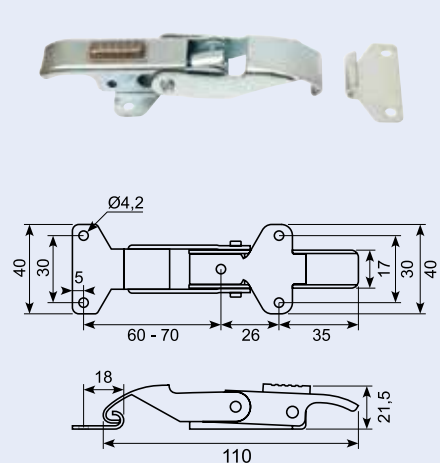
Stainless snap lock with shackle. 80.5 mm, SS304 with catcher.



18.134

Galv.lukker med modhold. 110mm med skydelås.

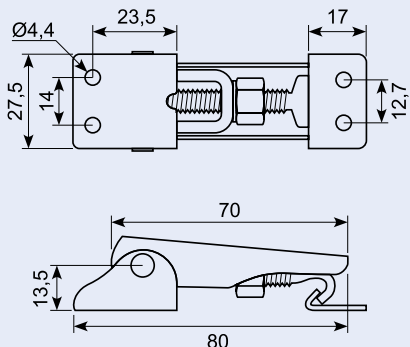
Zinc plated snap lock with catcher 110 mm with sliding latch.



18.136

Rustfri excenterlukker 80mm med modhold indstillelig.

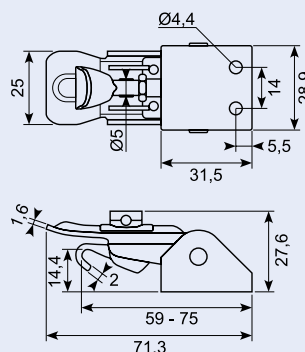
Stainless snap lock adjustable 80 mm incl. catcher.



18.153

Galv.snaplås med lås 71,3mm.

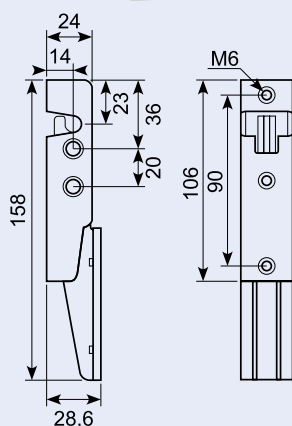
Zinc plated snap lock. Adjustable. 71,3 mm. Catch plate included.



18.142

Galvaniseret lukker rustfri håndtag med modhold.

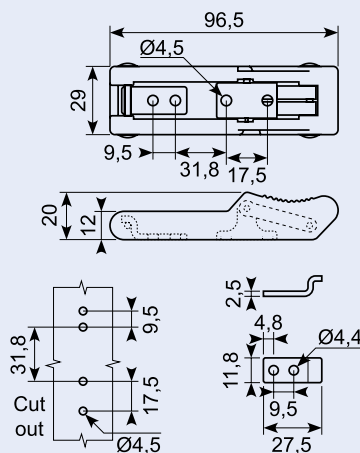
Zinc snap lock. Stainless handle with catch plate.



18.149

Sort gummi håndtag. rustfri beslag og modhold 96,5 mm.

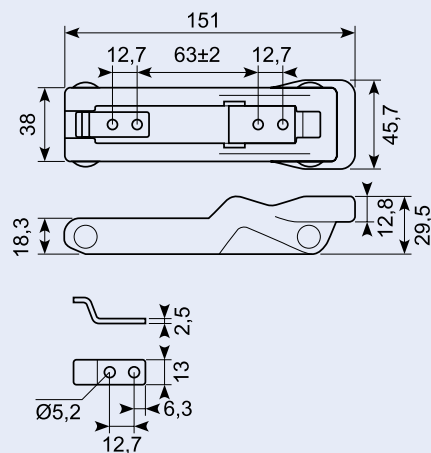
Black rubber handle. Stainless bracket and catch plate. 96,5 mm.



18.149XL

Sort gummi håndtag. Rustfri beslag og modhold. 151 mm.

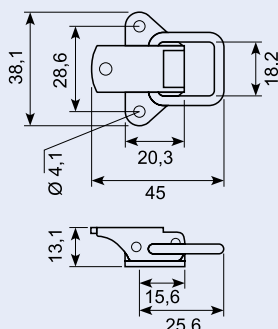
Black rubber handle. Stainless bracket and catch plate. 151 mm.



18.18613ZN

Protex snablås - galvaniseret jern. Forberedt for sikring med split. Brudstyrke : 195 kg. Rustfri version: 18.18613SS.

Rigid fastener, light duty - zincplated. Prepared for split pin. Ultimate strength: 195 kg. Stainless version: 18.18613SS.



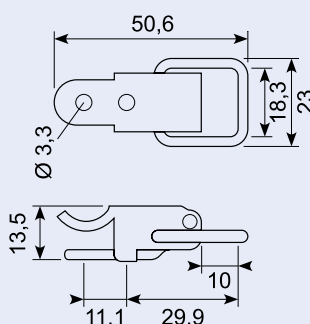
Modhold / catch plate

18.01613ZN
18.02613ZN - 16 mm
18.03613ZN - 16 mm
18.07613

18.20505ZN

Protex snablås - rustfri. 16 mm. Rustfri version: 18.20505SS.

Rigid fastener - stainless steel. 16 mm. Stainless version: 18.20505SS.

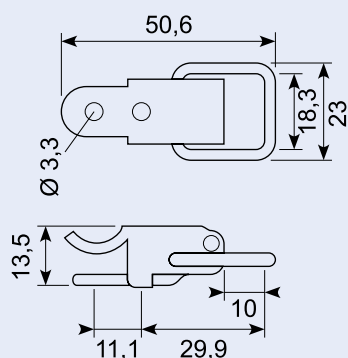


Modhold / catch plate

18.01504 - galvaniseret
18.01504SS - rustfri
18.02504
18.03504
18.011658

18.505

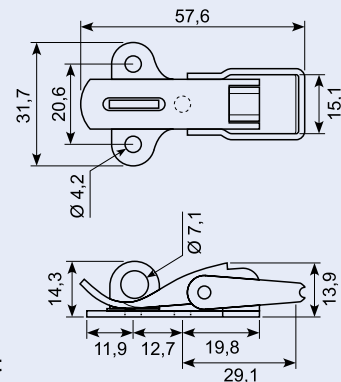
Lukkebeslag 45 mm. Forzinket inklusiv hage. Ridget fastener with hook. Zinc plated. 45 mm.



18.29569ZN

Lukkebeslag uden hage. Galvaniseret. Rustfri version: 18.29569SS.

Ridget fastener without hook. Zinc-plated. Stainless version: 18.29569SS.



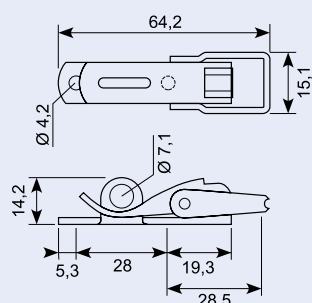
Modhold / catch plate

18.01535ZN - Hage galvaniseret
18.01535SS - Hage rustfri
18.02535
18.07535
18.03535ZN - Hage galvaniseret
18.03535SS - Hage rustfri
18.08594

18.291700SS

Lukkebeslag u. hage 29.569ZN. Forzinket.

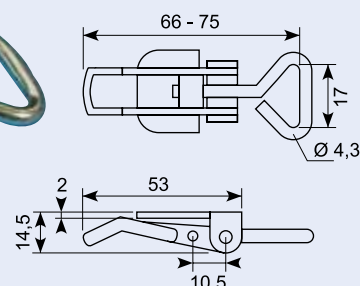
Locking fastenings without hook 29.569ZN, zinc-plated.



18.1090132ZN

Justerbar snablås - galvaniseret. 16 mm.

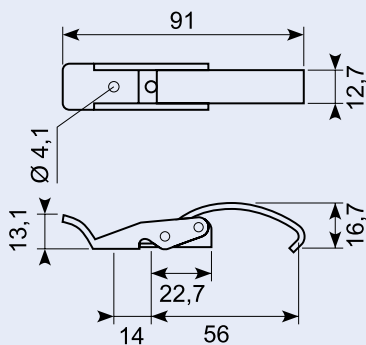
Adjustable fastener - zinc-plated. 16 mm.



18.282150ZN

Protex snaplås - galvaniseret jern. Til låg eller faldede kanter. Brudstyrke : 75 kg.
Rustfri version: 18.282150SS.

Spring Claw Fastener, light duty - zinc-plated. For lids or flanged edges. Ultimate strength: 75 kg.
 Stainless version: 18.282150SS.

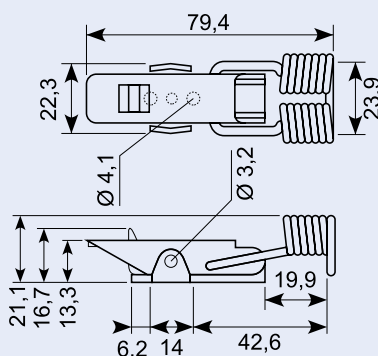


Modhold / catch plate
18.042150ZN

18.271837ZN

Protex snaplås - galvaniseret med lås. Med trækfjeder, forberedt for sikring. Med split. Brudstyrke: 66 kg.
Rustfri version: 18.271837SS.

Rigid fastener, medium duty - locking. With tension spring, prepared for split pin. Ultimate strength: 66 kg.
 Stainless version: 18.271837SS.

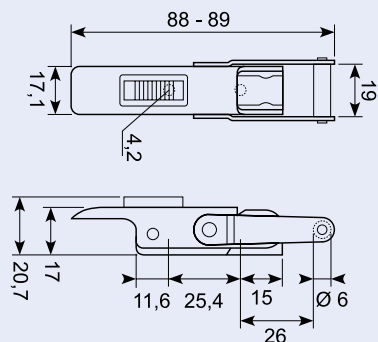


Modhold / catch plate
18.07613
18.02633 - Galvaniseret
18.02633SS - Rustfri
18.03633
18.001600CLR
18.07613
18.01502 - 24 mm
18.02502 - 24 mm

18.611750ZN

Protex snaplås - galvaniseret med lås. Justerbar - forberedt for sikring med split. Brudstyrke: 450 kg.
Rustfri version: 18.611750SS

Adjustable fastener, locking. Zincplated, pin seal. Ultimate strength: 450 kg.
 Stainless version: 18.611750SS.

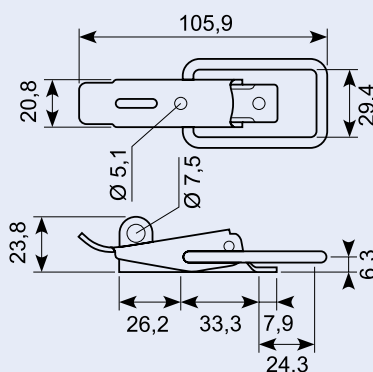


Modhold / catch plate
18.05655ZN - EL-forzinket, gul.
18.03655ZN - 16 mm
18.03655SS
18.06655
18.01655
18.007655
18.02655ZN
18.02655SS

18.30570ZN

Protex snaplås - galvaniseret. Forberedt for sikring med split og hængelås. Brudstyrke : 450 kg.
Rustfri version: 18.30570SS.

Rigid fastener, medium duty - zinc plated. Prepared for padlock and split pin. Ultimate strength: 450 kg.
 Stainless version: 18.30570SS.

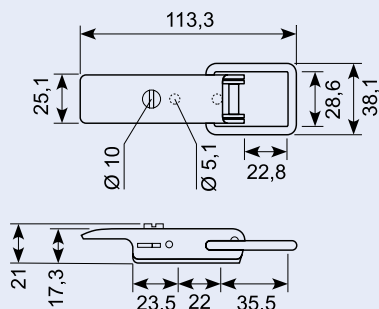


Modhold / catch plate
18.031692
18.08502
18.01502SS - rustfri
18.01502ZN - galvaniseret
18.05502SS - rustfri
18.05502ZN - galvaniseret
18.02502SS - rustfri
18.02502ZN - galvaniseret
18.01502
18.02502

18.391260ZN

Protex snaplås - galvaniseret med kærnskrue-lås.
Forberedt for sikring med split. Brudstyrke: 450 kg.
Rustfri version: 18.391260SS

Rigid fastener, medium duty, locking. Zinc-plated.
 Prepared for split pin. Ultimate strength: 450 kg.
 Stainless version: 18.391260SS.



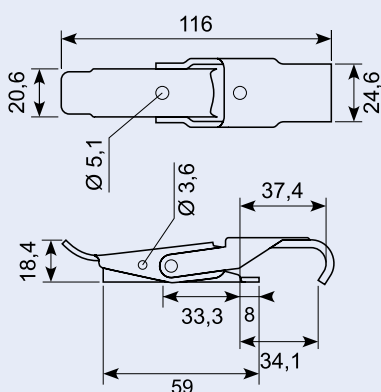
Modhold / catch plate

- 18.01502ZN - Galvaniseret - 24 mm
- 18.01502SS - Rustfri
- 18.02502ZN - Galvaniseret - 24 mm
- 18.02502SS - Rustfri
- 18.03502
- 18.051058ZN - Galvaniseret
- 18.051058SS - Rustfri
- 18.061058SS - rustfri

18.30506ZN

Protex snaplås - galvaniseret jern. Til låg eller falsede kanter. Brudstyrke: 75 kg.
Rustfri version: 18.30506SS.

Rigid fastener, medium duty - zincplated. For lids or flanged edges. Ultimate strength: 75 kg.
 Stainless version: 18.30506SS.



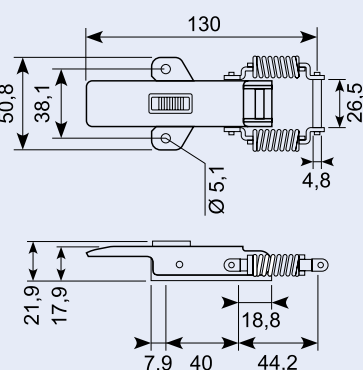
Modhold / catch plate

- 18.042150 - 22 - 24 mm

18.351163ZN

Protex snaplås - galvaniseret. Med trækfjeder, forberedt for sikring. Med split. Brudstyrke: 66 kg.
Rustfri version: 18.351163SS.

Spring fastener, medium duty - zincplated. With tension spring, pin seal. Ultimate strength: 66 kg.
 Stainless version: 18.351163SS.



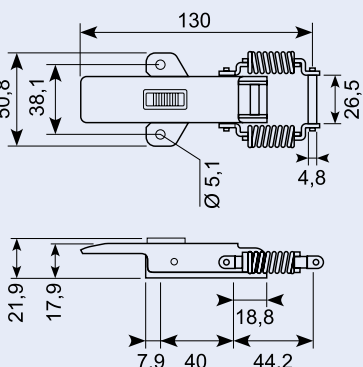
Modhold / catch plate

- 18.051058SS - rustfri
- 18.061058SS - rustfri
- 18.01502SS - rustfri
- 18.01502ZN - galvaniseret - 26 mm
- 18.02502SS - rustfri
- 18.02502ZN - galvaniseret - 26 mm
- 18.03502

18.361163ZN

Protex snaplås - galvaniseret med lås. Med trækfjeder, forberedt for sikring med split. Brudstyrke: 66 kg.
Rustfri version: 18.361163SS.

Rigid fastener, medium duty - locking, stainless steel. With tension spring, pin seal. Ultimate strength: 66 kg.
 Stainless version: 18.361163SS.



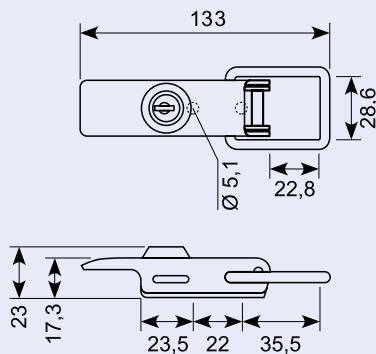
Modhold / catch plate

- 18.051058ZN - Galvaniseret
- 18.051058SS - Rustfri
- 18.01502ZN - Galvaniseret
- 18.01502SS - Rustfri - 24 mm
- 18.02502ZN - Galvaniseret
- 18.02502SS - Rustfri - 24 mm
- 18.03502

18.371260ZN

Protex snaplås - galvaniseret, aflåselig. Leveres med 2 nøgler. Brudstyrke : 494 kg. Rustfri version: 18.371260SS.

Rigid fastener, medium duty, locking zinc-plated with two keys. Ultimate strength: 494 kg. Stainless version: 18.371260SS.



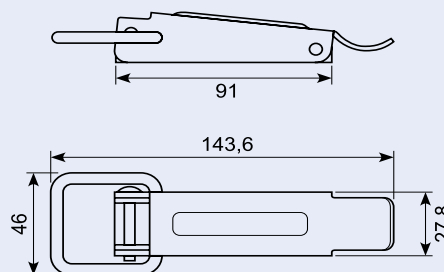
Modhold / catch plate

- 18.01502ZN - Galvaniseret - 24 mm**
- 18.01502SS - Rustfri**
- 18.02502ZN - Galvaniseret - 24 mm**
- 18.02502SS - Rustfri**
- 18.03502**
- 18.051058ZN - Galvaniseret**
- 18.051058SS - Rustfri**
- 18.061058SS - rustfri**

18.122X

Snaplås. Galvaniseret jern, velegnet til låg og kasser.

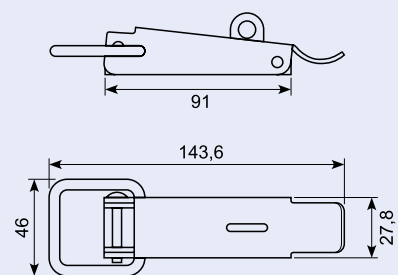
Toggle fastener. Zinc-plated, suited for covers and boxes.



18.122Z

Galvaniseret lukkebeslag med øje til hængelås. Ekskl. hage.

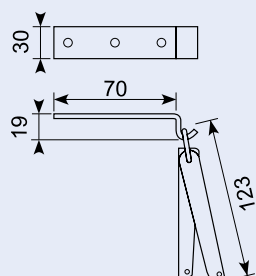
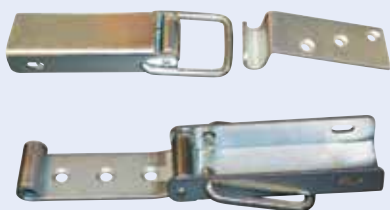
Locking fastenings without hook. Eye for padlock.



18.122ECO

Lukkebeslag galv. incl. hage med modhold.

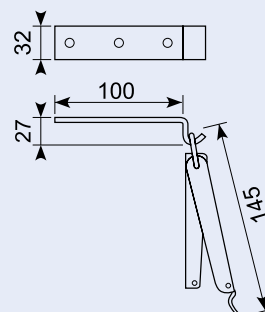
Zinc plated rigid fastener with hook and catch plate.



18.122

Lukkebeslag galv. incl. Hage 145 mm

incl.modhold 18.122H højde 27mm

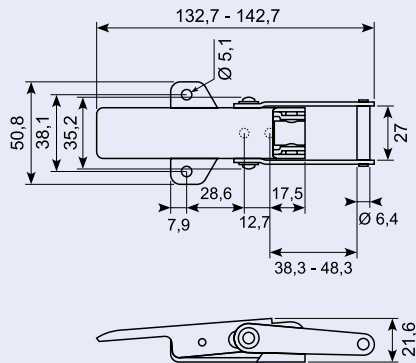


18.701273ZN

Protex snaplås - galvaniseret jern. Justerbar - forberedt for sikring med split. Brudstyrke: 660 kg.

Rustfri version: [18.701273SS](#)

Adjustable fasteners, medium duty. Zinc-plated, wide based. Pin seal. Ultimate strength: 660 kg. Stainless version: [18.701273SS](#).



Modhold / catch plate

[18.021273](#)

[18.011273ZN](#) - Galvaniseret

[18.011273SS](#) - Rustfri

[18.03502](#)

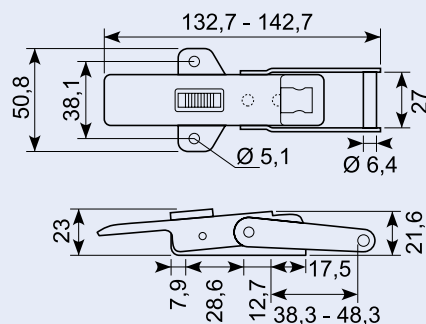
[18.06625ZN](#) - 24 mm

[18.011273CZN](#) - 24 mm

18.711273CZN

Rustfri version: [18.711273SS](#).

Stainless version: [18.711273SS](#).



Modhold / catch plates

[18.011273ZN](#) - Galvaniseret

[18.011273SS](#) - Rustfri

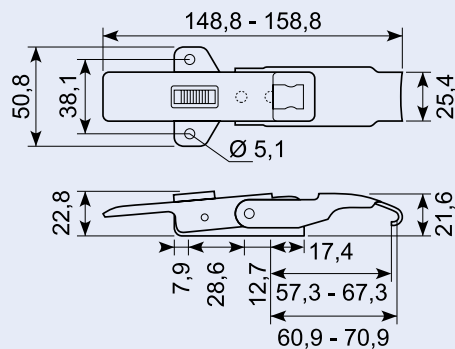
18.71653CZN

Protex snaplås - galvaniseret jern. Til låg eller faldede kanter. Forberedt for sikring med split. Brudstyrke: 454 kg. 22-24 mm.

Rustfri version: [18.71653SS](#)

Adjustable fasteners, medium duty. Zinc-plated. For lids or flanged edges. Pin seal. Ultimate strength: 454 kg. 22-24 mm.

Stainless version: [18.71653SS](#).



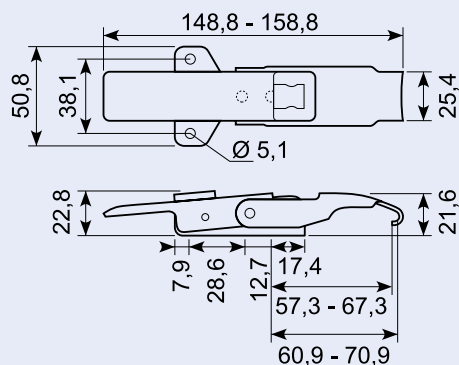
18.70653CZN

Protex snaplås - galvaniseret jern. Til låg eller faldede kanter. Forberedt for sikring med split. Brudstyrke: 454 kg. 22-24 mm.

Rustfri version: [18.70653SS](#).

Adjustable fasteners, medium duty. Zincplated. For lids or flanged edges. Pin seal. Ultimate strength: 454 kg. 22-24 mm.

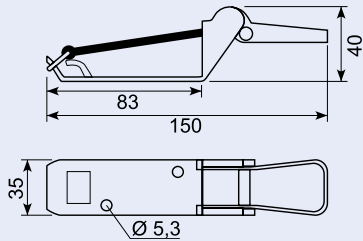
Stainless version: [18.70653SS](#).



18.109

Snaplås med gummistrop. Army-grøn lakeret jern.

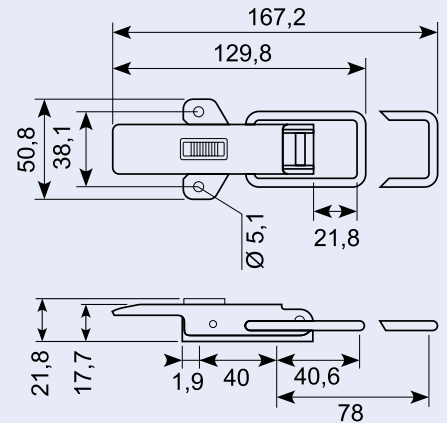
Stowage clamp with rubber tension strap. Green primed steel.



18.361058SS

Protex snaplås - rustfri stål med lås. Forberedt for sikring med split. Brudstyrke: 450 kg. Passer til modhold. 18.01502SS / 18.02502SS. 24 mm.

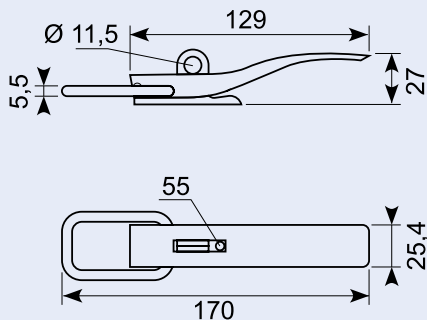
Rigid fastener, medium duty locking. Pin seal. Ultimate strength: 450 kg. Fits catch plate 18.01502SS / 18.02502SS. 24mm.



18.165

Snaplås - aflåselig. Sort-lakeret jern. 22 mm.

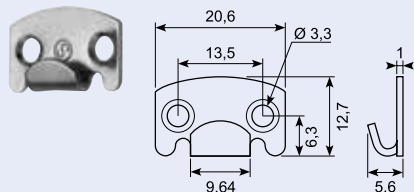
Over-centre toggle fasteners. Powder coated. 22 mm.



18.01531SS

Rustfri modhold.

Catch plate for plane mounting. Stainless AISI 304. Hook width 9,64 mm.

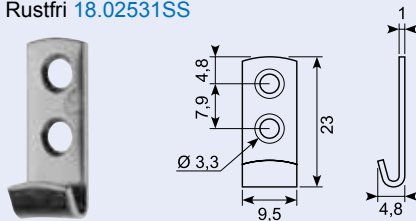


18.02531NI

Modhold.

Catch plate for plane mounting. Brass, nickel-plated. Hook width 9.5 mm.

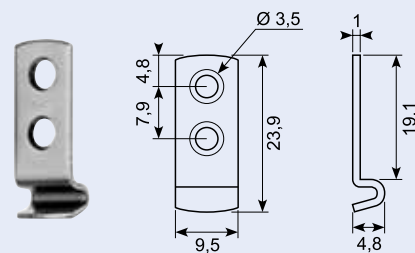
Rustfri 18.02531SS



18.03531ZN

Modhold. Galvaniseret.

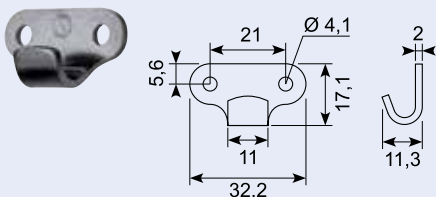
Catch plate.



18.01535SS

Rustfri modhold. Galvaniseret model: 18.01535ZN.

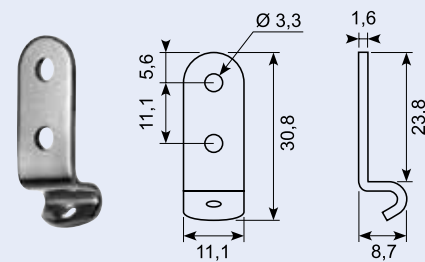
Catch plate. Stainless AISI 304. Hook width 11 mm. Zinc plated version: 18.01535ZN.



18.03504SS

Modhold. Rustfri.

Catch plate.

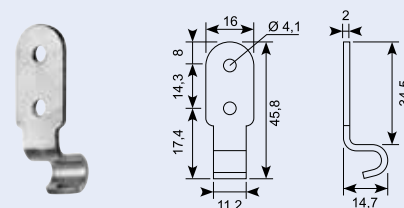


18.03535SS

Rustfri modhold.

Galvaniseret model: 18.03535ZN.

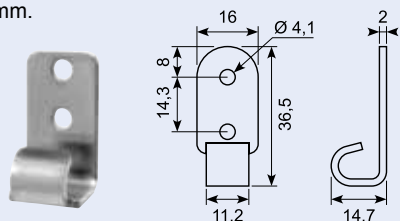
Catch plate. Stainless AISI 304. Hook width 11,2 mm. Zinc plated version: 18.03535ZN.



18.07535ZN

Modhold.

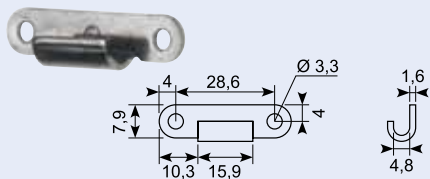
Catch plate for inside angular assembly. El-zinc plated, yellow. Steel. Hook width 11.2 mm.



18.01504SS

Rustfri modhold. Model i EL-forzinket stål: 18.01504.

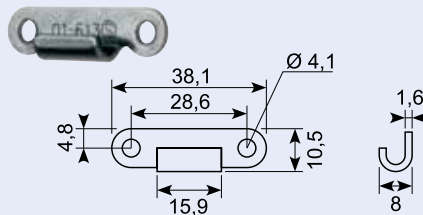
Catch plate. Stainless AISI 304. Hook width 15.9 mm. Electric galvanized version: 18.01504.



18.01613ZN

Modhold.

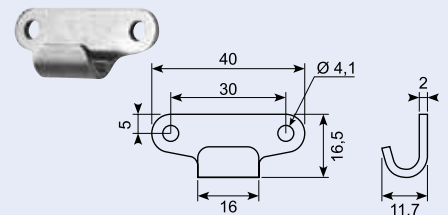
Catch plate. El-zinc plated, steel. Hook width 15.9 mm.



18.001600CLR

Modhold.

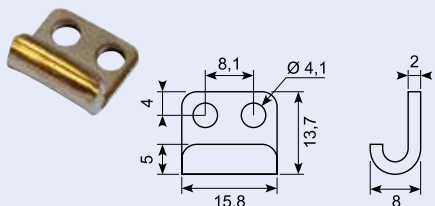
Catch plate. El-zinc plated, yellow. Steel. Hook width 16 mm.



18.015000SS

Rustfri modhold.

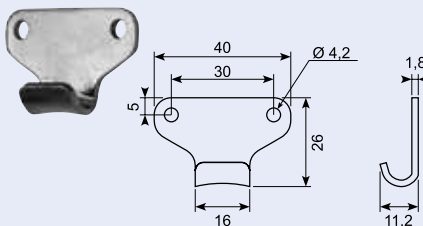
Catch plate. Stainless SS. Hook width 15.8 mm.



18.01655SS

Modhold.

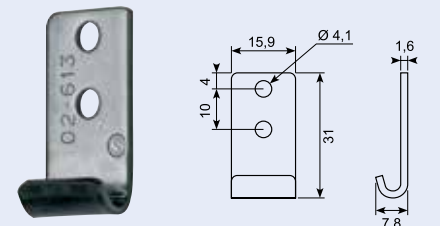
Catch plate for plane mounting. Stainless AISI 304. Hook width 16 mm.



18.02613ZN

Modhold.

Catch plate.

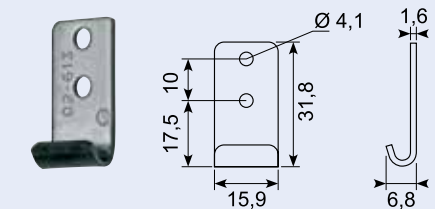


18.02633SS

Rustfri modhold.

Galvaniseret model: 18.02633.

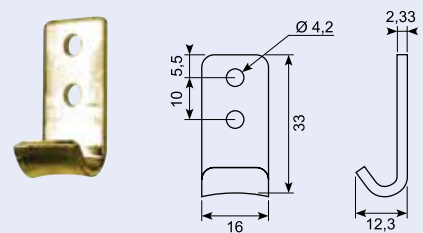
Catch plate. Stainless SS. Hook width 15.9 mm.



18.02655SS

Rustfri modhold.

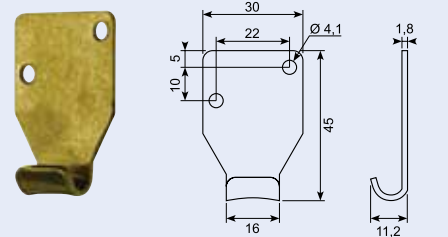
Catch plate. Stainless AISI 304. Hook width 16 mm.



18.05655ZN

Gul el-forsinket modhold.

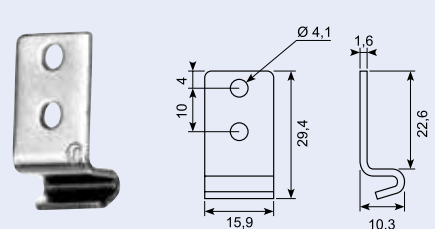
Catch plate. El-zinc plated, yellow. Steel. Hook width 16 mm.



18.03633SS

Modhold.

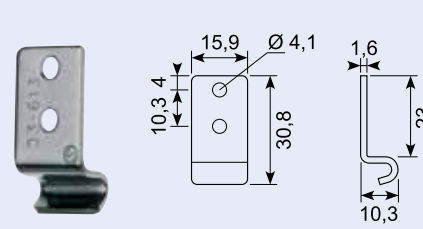
Catch plate for exterior angular. Stainless AISI 304. Hook width 15.9 mm.



18.03613ZN

Modhold.

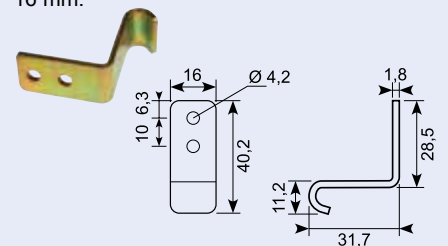
Catch plate. El-zinc plated, steel. Hook width 15.9 mm.



18.03655SS

Modhold. Gul zink model: 18.03655ZN.

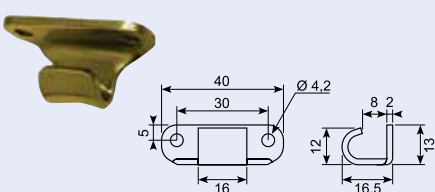
Catch plate. Stainless AISI 304. Hook width 16 mm.



18.007655ZN

Modhold.

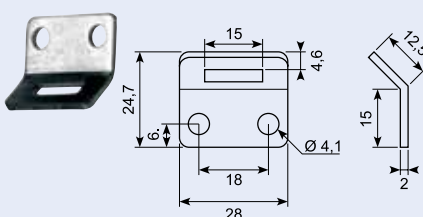
Catch plate for inside angular assembly. El-zinc plated, yellow. Steel. Hook width 16 mm.



18.042150SS

Modhold.

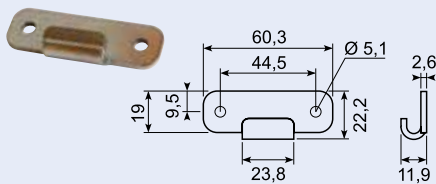
Catch plate for plane mounting. Stainless AISI 304. Hook width 15 mm.



18.01502SS

Rustfri modhold. Galvaniseret model: 18.01502ZN.

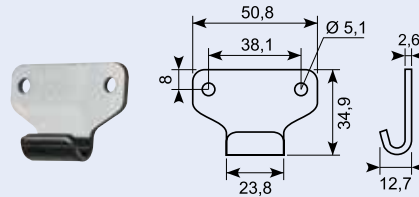
Catch plate for plane mounting. Stainless AISI 304. Hook width 23.8 mm. Zinc plated version: 18.01502ZN.



18.051058SS

Rustfri modhold.

Catch plate for plane mounting. Stainless AISI 304. Hook width 23.8 mm. Zinc plated version: 18.051058ZN.

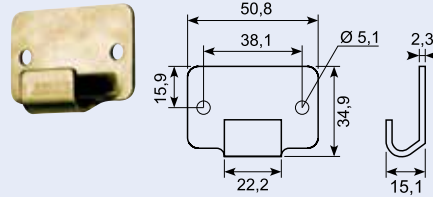


18.011273SS

Rustfri modhold.

Gul zink model: 18.011273ZN.

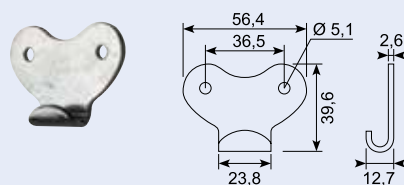
Catch plate for plane mounting. Stainless AISI 304. Hook width 22.2 mm.



18.05502SS

Rustfri modhold. Galvaniseret model: 18.05502ZN.

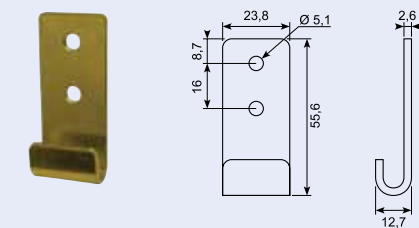
Catch plate for plane mounting. Stainless AISI 304. Hook width 23.8 mm. Zinc plated version: 18.05502ZN.



18.021273ZN

Modhold.

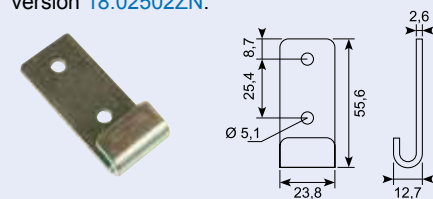
Catch plate for plane mounting. El-zinc plated, yellow. Steel. Hook width 23.5 mm.



18.02502SS

Rustfri modhold. Galvaniseret model: 18.02502ZN.

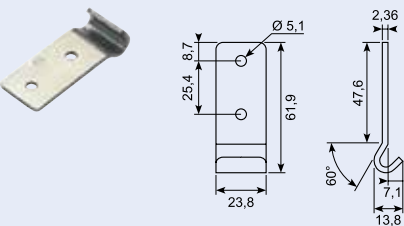
Catch plate for plane mounting. Stainless AISI 304. Hook width 23.8 mm. Zinc plated version 18.02502ZN.



18.08502ZN

Modhold.

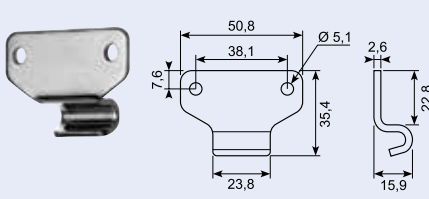
Catch plate for plane mounting. El-zinc plated. Steel. Hook width 23.8 mm.



18.061058SS

Rustfri modhold.

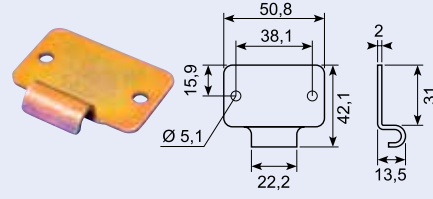
Catch plate for exterior angular assembly. Stainless AISI 304. Hook width 23.8 mm. Zinc plated version: 18.061058.



18.06625ZN

Galvaniseret modhold.

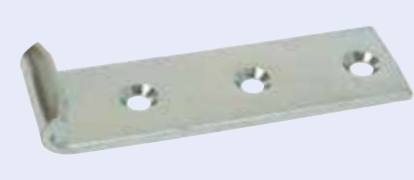
Catch plate for exterior angular assembly. El-zinc plated, yellow. Steel. Hook width 22.2 mm.



18.122XB

Lige modhold. 30 x 103 mm. Tykkelse 3 mm

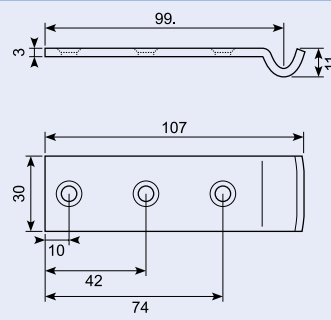
Straight catch plate. 30 x 103 mm. Thickness 3 mm.



18.122XA

Forkrøbbet modhold. 30 x 107 mm. Tykkelse 3 mm.

Cranked catch plate. 30 x 107 mm. Thickness 3 mm.



18.122H

Løs hage til lukkebeslag

Catch plate for fasteners

