

Snap- og hagelåse

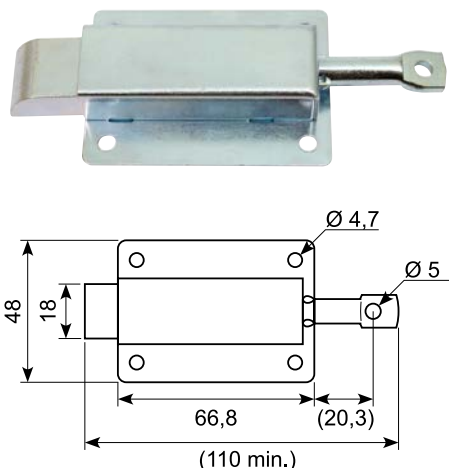
Spring catches and budget latches



Snap- og hagelåse / Spring catches and budget latches

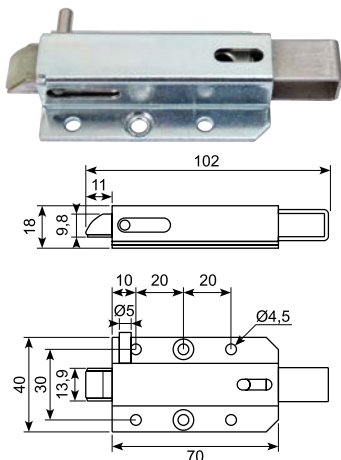
16.216SJ

Galvaniseret snaplås.
Galvanized spring catch.



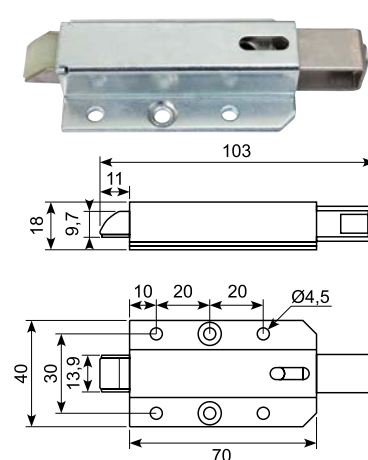
16.209

Galvaniseret skydelås.
Rustfri bøjle med nylontunge.
40 x 70 mm plade med side pind.
Galvanized sliding latch. Stainless steel hanger with nylon tongue.
40 x 70 mm plate with side pin.



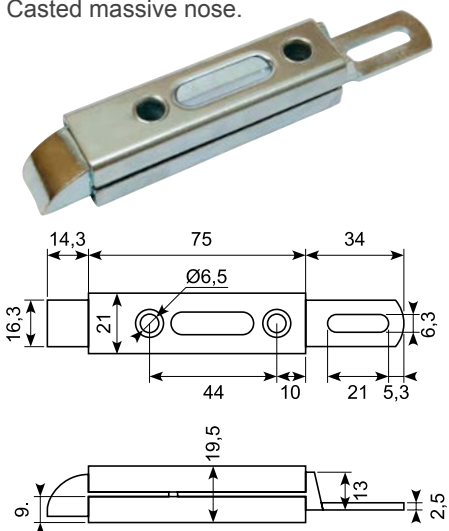
16.207

Galvaniseret skydelås.
Rustfri bøjle med nylontunge.
40 x 70 mm plade.
Galvanized sliding latch. Stainless steel hanger with nylon tongue.
40 x 70 mm plate.



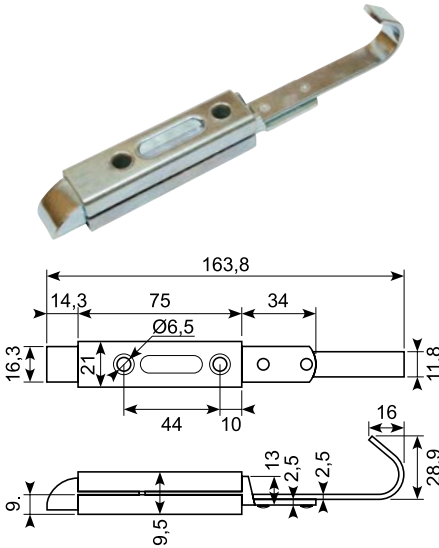
16.213J

Galvaniseret snaplås.
Støbt massiv næse.
Galvanized spring catch.
Casted massive nose.



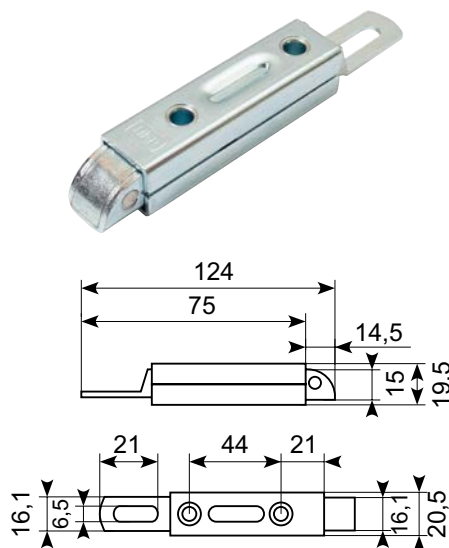
16.203J

Galvaniseret snaplås med krog.
Galvanized spring catch with hook.



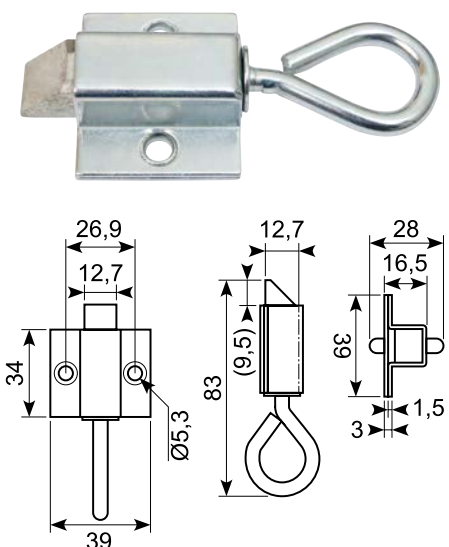
16.213SS

Rustfri snaplås.
Stainless spring catch.



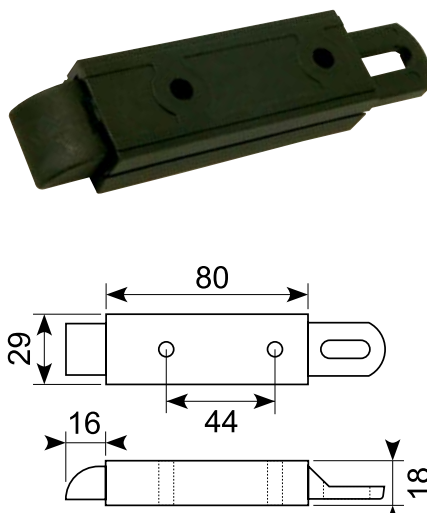
16.204

Galvaniseret skydelås.
Galvanized latch.



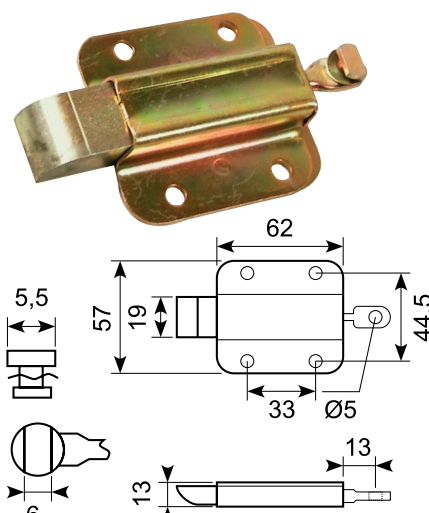
16.214

Sort kunststof snaplås.
Moulded spring catch. Black synthetic material.



16.216S

Snaplås til 16.216MR/MRJX.
"Nose down". Quick fit pull.
Spring catch for 16.216MR/MRJX.
"Nose-down". Quick-fit pull.



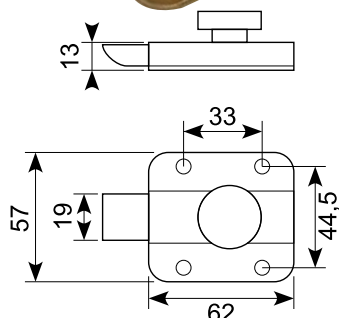
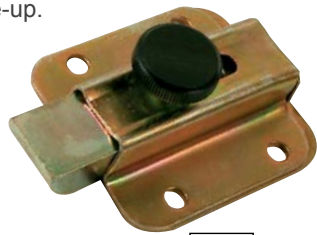
● **Godt køb / Best buy**
30

Snap- og hagelåse / Spring catches and budget latches

16.205X

Galvaniseret snaplås med omvendt gæk.

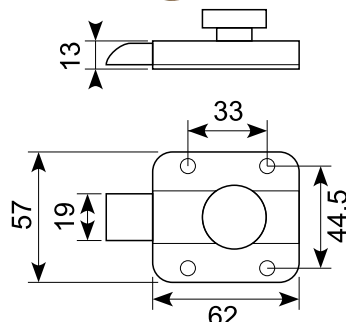
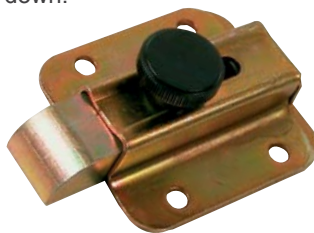
Galvanized top-knob spring catch, nose-up.



16.205

Galvaniseret snaplås med knop.

Galvanized top-knob spring catch, nose-down.



16.205R

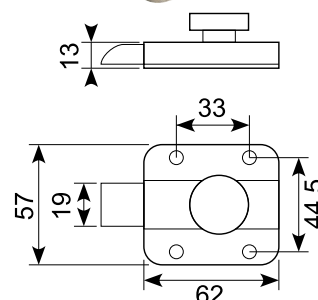
Rustfri snaplås med knop.

Min. ordre: 25 stk.

Stainless spring catch with knob.

Min. order: 25 pcs.

*



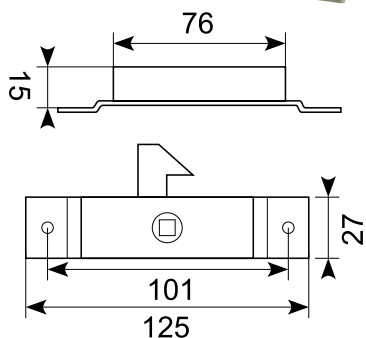
16.179

Galvaniseret hagelås, venstre.

Til 8 mm stift.

Galvanized budget latch, LH.

For 8 mm pin.



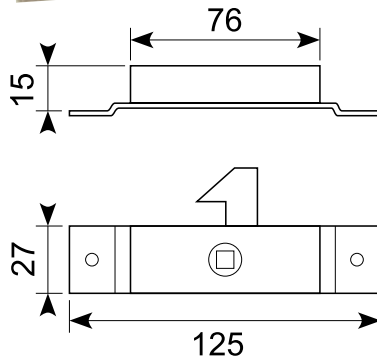
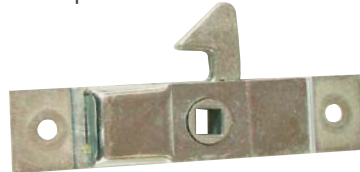
16.180

Galvaniseret hagelås, højre.

Til 8 mm stift.

Galvanized budget latch, RH.

For 8 mm pin.



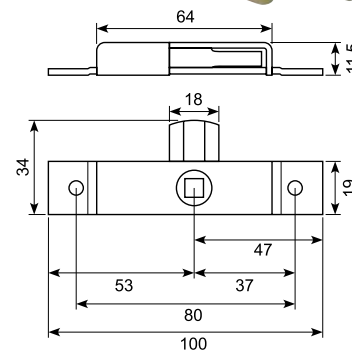
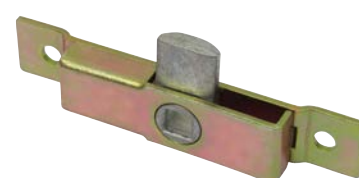
16.101J

Dørlås. 7 mm FK. 4 - 8 micron.

Se også 16.101JSS.

Door lock. 7 mm FK. 4 - 8 micron.

See also 16.101JSS.



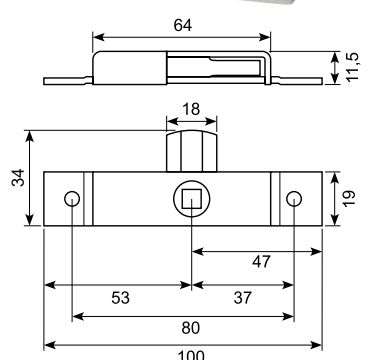
16.101JSS

Dørlås. 7 mm FK.

Rustfri SS304 og zink cam.

Door lock. 7 mm FK.

Stainless SS304 and zinc cam.

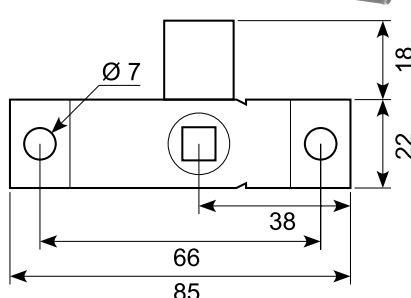


16.100R

Rustfri tungelås uden sikring.

Til 8 mm stift.

Stainless latch lock. Without safety device. For 8 mm pin.



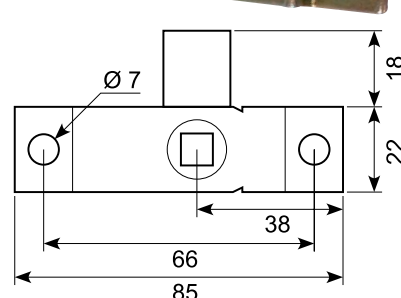
16.100X

Tungelås uden sikring. Til 8 mm stift.

Galvaniseret stål med ståltunge.

Galvanized latch lock with steel bolt.

Without safety device. For 8 mm pin.



* Skaffevarer / Special order item

BIBUS SINDBY HARDWARE 8 - 00032-8-202110

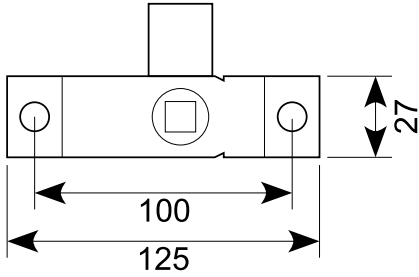
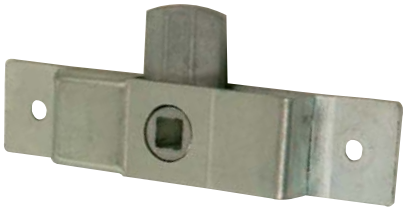
● Godt køb / Best buy

Snap- og hagelåse / Spring catches and budget latches

16.102

Galvaniseret tungelås uden sikring. Til 8 mm stift.

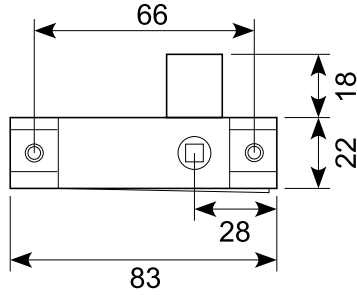
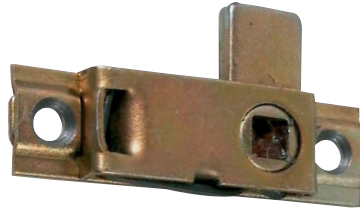
Galvanized latch lock. Without safety device. For 8 mm pin.



16.103

Galvaniseret tungelås uden sikring, venstre. Til 8 mm stift.

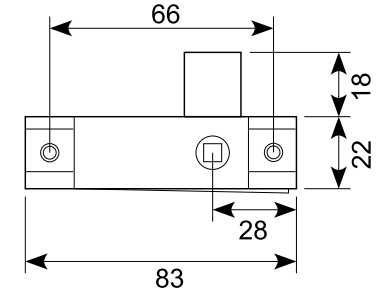
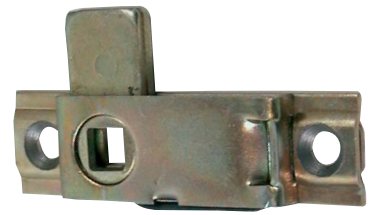
Galvanized latch lock, LH. Without safety device. For 8 mm pin.



16.104

Galvaniseret tungelås uden sikring, højre. Til 8 mm stift.

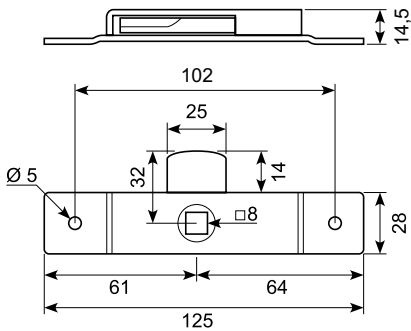
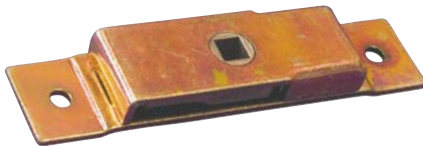
Galvanized latch lock, RH. For 8 mm pin.



50.064110

Galvaniseret dørlås. Til 8 mm stift.

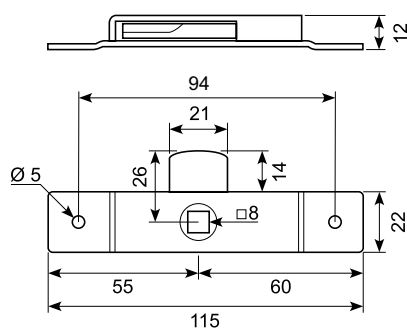
Galvanized door lock. For 8 mm pin.



50.064120

Galvaniseret dørlås. Aluminium tunge. Til 8 mm stift.

Galvanized door lock. Aluminium tongue. For 8 mm pin.



50.064130

Galvaniseret dørlås til 8 mm stift.

Galvanized door lock. For 8 mm pin.

